

BALDOR® • **RELIANCE**

Product Information Packet

IDM3764T

3HP, 1165RPM, 3PH, 60HZ, 215TC, 0737M, TEBC, F1

Copyright © All product information within this document is subject to Baldor Electric Company copyright © protection, unless otherwise noted.

Part Detail							
Revision:	A	Status:	PRD/A	Change #:		Proprietary:	No
Type:	AC	Prod. Type:	0737M	Elec. Spec:	07WGX822	CD Diagram:	
Enclosure:	TEBC	Mfg Plant:		Mech. Spec:	07J137	Layout:	
Frame:	215TC	Mounting:	F1	Poles:	06	Created Date:	12-09-2010
Base:	RG	Rotation:	RS	Insulation:	H	Eff. Date:	09-21-2012
Leads:	9#14	Literature:		Elec. Diagram:		Replaced By:	

Nameplate NP1162L							
CAT NO	IDM3764T						
SPEC.	07J137X822G1						
FRAME	215TC	HP	3	TE			
VOLTS	230/460						
MAG CUR	4.6/2.3	FLA	9/4.5				
RPM	1165	RPM MAX	2300				
HZ	60	PH	3	CLASS	H		
SER.F.	1.00	DES	B	SL HZ	1.7		
NEMA-NOM-EFF	90.2	WK2	0.92				
BLWR V	460	PH	3	HZ	60	A	.25
RATING	40C AMB-CONT						
DE BRG	6307	ODE BRG	6206				
CC		SN					

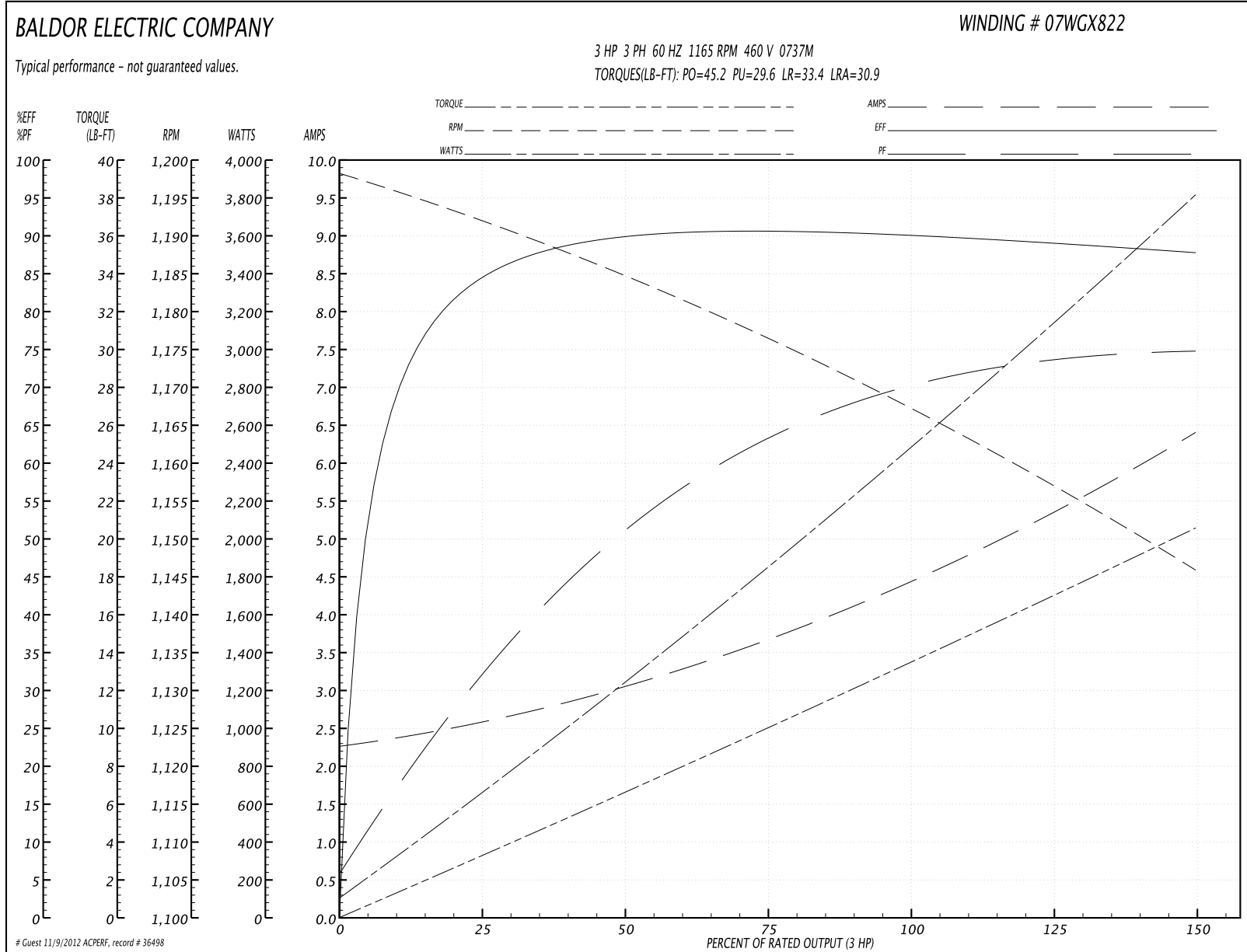
Parts List		
Part Number	Description	Quantity
SA212798	SA 07J137X822G1	1.000 EA
RA200027	RA 07J137X822G1	1.000 EA
HW3201A05	3/8-16 EYEBOLT	1.000 EA
09CB3002SP	CB W/1.38 LEAD HOLE FOR 37, 39, 307 & 30	1.000 EA
09GS1000SP	GASKET-CONDUIT BOX, 1/16 THICK LEXIDE	1.000 EA
51XW2520A12	.25-20 X .75, TAPTITE II, HEX WSHR SLTD	2.000 EA
11XW1032G06	10-32 X .38, TAPTITE II, HEX WSHR SLTD U	1.000 EA
HW3001B01	003SS CUP WASHER, FOR #8 SCREW	1.000 EA
37EP1100B61	FR TEBC 206 BRG W/ GRSR & THRU-SHAFT ENC	1.000 EA
HW4500A01	1641B(ALEMITE)400 UNIV, GREASE FITT	1.000 EA
HW5100A06	W2420-025 WVY WSHR (WB)	1.000 EA
37EP1300A01SP	FACE MT ENDPLATE-ENCL-307 BRG-213TC-215T	1.000 EA
HW4500A01	1641B(ALEMITE)400 UNIV, GREASE FITT	1.000 EA
10XN2520A30	HEX HD CAP SCREW-STD THD-.25 X 20 THD PE	4.000 EA
HW1001A25	LOCKWASHER 1/4, ZINC PLT .493 OD, .255 I	4.000 EA
XY3118A12	5/16-18 HEX NUT DIRECTIONAL SERRATION	4.000 EA
10XN2520A08	1/4-20X1/2 HEX HEAD CAP	2.000 EA
HA3218A06	MALE-FEMALE STANDOFF .25-20 .38 HEX X .5	3.000 EA
10XN2520A06	1/4 20X3/8 HX HD CAP	3.000 EA
HW1001A25	LOCKWASHER 1/4, ZINC PLT .493 OD, .255 I	3.000 EA
09CB3501SP	CONDUIT BOX LID FOR 09CB3001 & 09CB3002	1.000 EA
09GS1013SP	09 GS FOR 09CB3501 LID - LEXIDE	1.000 EA
51XW2520A12	.25-20 X .75, TAPTITE II, HEX WSHR SLTD	2.000 EA
HA1005A22	SLINGER, OD 2.00, ID 1.14, 206 BRG, GM	1.000 EA

Parts List (continued)		
Part Number	Description	Quantity
HW2501F21	KEY, 5/16 SQ X 2.375	1.000 EA
HA7000A02	KEY RETAINER RING, 1 1/8 DIA, 1 3/8 DIA	1.000 EA
MJ5004A05	#242-21 LOCTITE GENERAL PURPOSE MED. STR	0.005 EA
85XU0407S04	4X1/4 U DRIVE PIN STAINLESS	2.000 EA
LB1115	LABEL,LIFTING DEVICE	1.000 EA
LB1009	LABEL,ROTATION DIRECTION (ON ROLLS)	1.000 EA
MJ1000A75	GREASE, POLYREX EM EXXON	0.050 LB
HA3104A32	THRUBOLT- 5/16-18 X12.750	4.000 EA
07FH5002A03	BLOWER ASSY. ,07FH4001, EF5000	1.000 EA
MG1000G27	PAINT- S9282E CHARCOAL GREY	0.036 GA
LC0034	CONNECTION LABEL	1.000 EA
LB1119	WARNING LABEL	1.000 EA
LB1172A01	CUSTOM MTR CARTON LABEL LASER PRINTER	1.000 EA
LC0145B01	CONNECTION LABEL	1.000 EA
NP1162L	SS INV UL CSA CC	1.000 EA
37PA1039	PACKAGING GROUP	1.000 EA

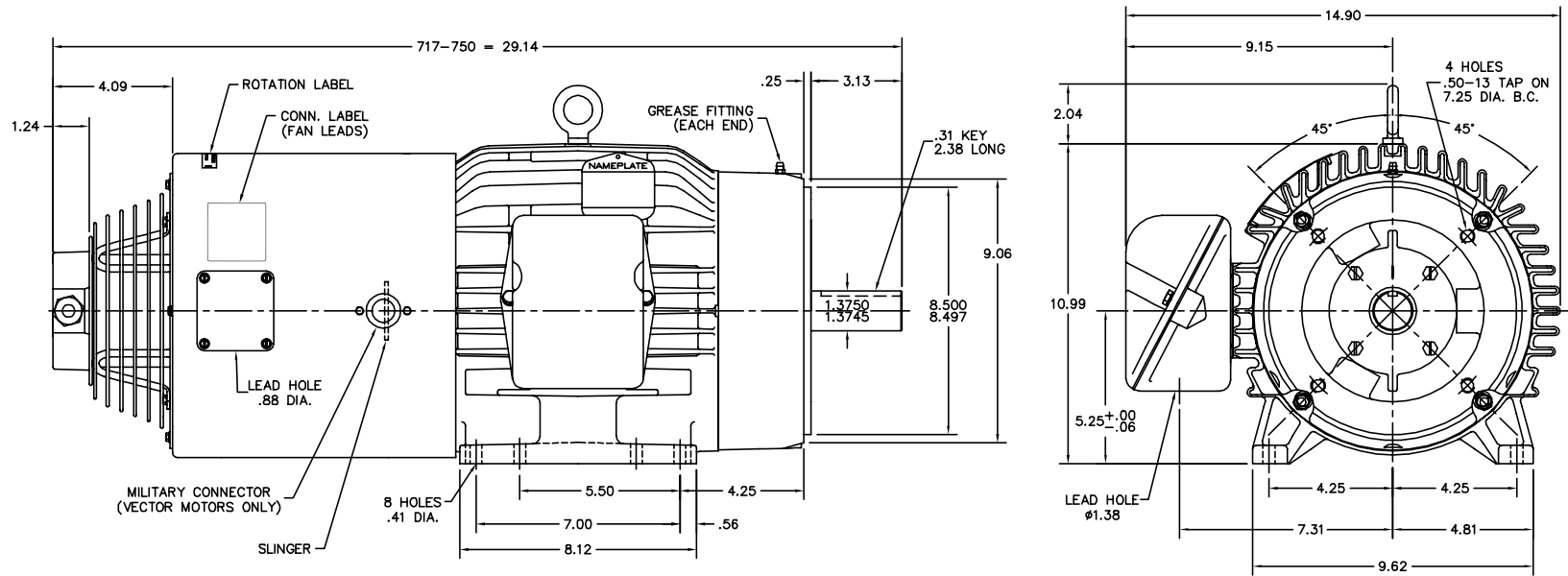
Performance Data at 460V, 60Hz, 3.0HP (Typical performance - Not guaranteed values)

General Characteristics							
Full Load Torque:	13.5 LB-FT			Start Configuration:	DOL		
No-Load Current:	2.29 Amps			Break-Down Torque:	45.2 LB-FT		
Line-line Res. @ 25°C.:	2.65 Ohms A Ph / 0.0 Ohms B Ph			Pull-Up Torque:	29.6 LB-FT		
Temp. Rise @ Rated Load:	31 C			Locked-Rotor Torque:	33.4 LB-FT		
Temp. Rise @ S.F. Load:	37 C			Starting Current:	30.9 Amps		
Load Characteristics							
% of Rated Load	25	50	75	100	125	150	S.F.
Power Factor:	34.0	52.0	63.0	70.0	73.0	75.0	0.0
Efficiency:	83.6	89.0	90.9	90.3	89.4	87.6	0.0
Speed:	1191.0	1184.0	1176.0	1168.0	1158.0	1145.0	0.0
Line Amperes:	2.56	3.05	3.69	4.47	5.36	6.39	0.0

Performance Graph at 460V, 60Hz, 3.0HP Typical performance - Not guaranteed values



07LYJ137



CUSTOMER IS RESPONSIBLE FOR DETERMINING THAT MOTOR PERFORMANCE IS SUITABLE IN THE APPLICATION.

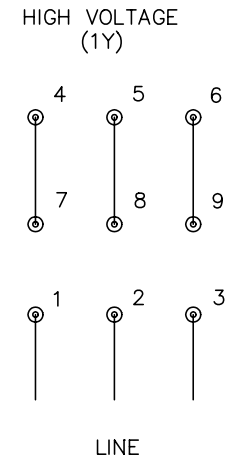
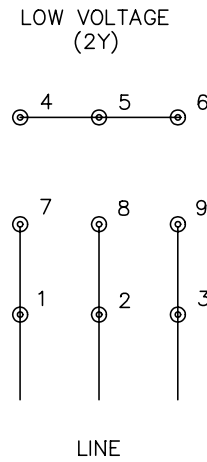
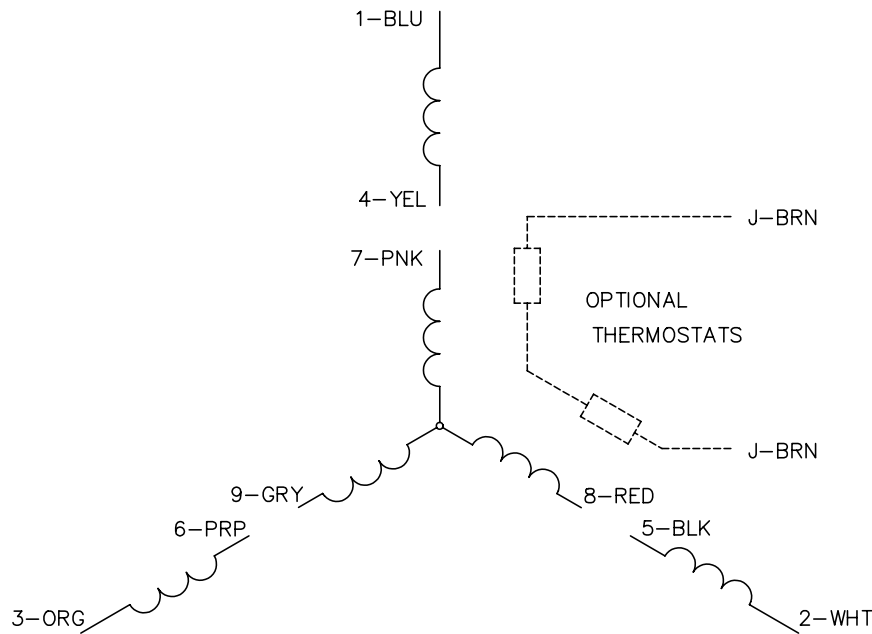
REV. DESC: CORRECT ROTATION LABEL GRAPHICS & LEADER			
REV. LTR: B	BY: DLS	REVISED: 15: 21:11 01/09/2002	TDR: 251223
FILE: AAA00071017		REF: 07LYJ137	
MTL: -			

BALDOR ELECTRIC Co.

STD HORZ 213-5TC TEBC 307M INVERTER/VECTOR (THRU-SHAFT ENC)

07LYJ137

CD0005



NOTES:

1. INTERCHANGE ANY TWO LINE LEADS TO REVERSE ROTATION.
2. OPTIONAL THERMOSTATS ARE PROVIDED WHEN SPECIFIED.
3. ACTUAL NUMBER OF INTERNAL PARALLEL CIRCUITS MAY BE A MULTIPLE OF THOSE SHOWN ABOVE.
4. LEAD COLORS ARE OPTIONAL. LEADS MUST ALWAYS BE NUMBERED AS SHOWN.

REV. DESC: REVISE TO SHOW OPTIONAL COLORS			
REV. LTR: E	BY: JLP	REVISED: 01/19/99 10:15	TDR: 0171435
900000		FILE: AAA00005140	MDL: -
		MTL: -	

BALDOR ELECTRIC Co.

3PH, DV, 9 LEADS

CD0005