

# **BALDOR**® • **RELIANCE**

## **Product Information Packet**

### **IDM3774T-5**

**10HP,1760RPM,3PH,60HZ,215TC,0748M,TEBC,F**

Copyright © All product information within this document is subject to Baldor Electric Company copyright © protection, unless otherwise noted.

| Part Detail |       |             |       |                |          |               |            |
|-------------|-------|-------------|-------|----------------|----------|---------------|------------|
| Revision:   | E     | Status:     | PRD/A | Change #:      |          | Proprietary:  | No         |
| Type:       | AC    | Prod. Type: | 0748M | Elec. Spec:    | 07WGX493 | CD Diagram:   |            |
| Enclosure:  | TEBC  | Mfg Plant:  |       | Mech. Spec:    | 07J138   | Layout:       |            |
| Frame:      | 215TC | Mounting:   | F1    | Poles:         | 04       | Created Date: | 03-20-2009 |
| Base:       | RG    | Rotation:   | R     | Insulation:    | H        | Eff. Date:    | 09-21-2012 |
| Leads:      | 3#14  | Literature: |       | Elec. Diagram: |          | Replaced By:  |            |

| Nameplate NP1162L |              |         |      |       |     |   |     |
|-------------------|--------------|---------|------|-------|-----|---|-----|
| CAT NO            | IDM3774T-5   |         |      |       |     |   |     |
| SPEC.             | 07J138X493G1 |         |      |       |     |   |     |
| FRAME             | 215TC        | HP      | 10   | TE    |     |   |     |
| VOLTS             | 575          |         |      |       |     |   |     |
| MAG CUR           | 4.1          | FLA     | 10   |       |     |   |     |
| RPM               | 1760         | RPM MAX | 4000 |       |     |   |     |
| HZ                | 60           | PH      | 3    | CLASS | H   |   |     |
| SER.F.            | 1.00         | DES     | A    | SL HZ | 1.3 |   |     |
| NEMA-NOM-EFF      | 92.4         | WK2     | 1.18 |       |     |   |     |
| BLWR V            | 115          | PH      | 1    | HZ    | 60  | A | 2.6 |
| RATING            | 40C AMB-CONT |         |      |       |     |   |     |
| DE BRG            | 6307         | ODE BRG | 6206 |       |     |   |     |
| CC                |              | SN      |      |       |     |   |     |
|                   |              |         |      |       |     |   |     |

| Parts List    |  |          |
|---------------|--|----------|
| Part Number   | Description                              | Quantity |
| SA180784      | SA 07J138X493G1                          | 1.000 EA |
| RA168736      | RA 07J138X493G1                          | 1.000 EA |
| HW3201A05     | 3/8-16 EYEBOLT                           | 1.000 EA |
| 09CB3002SP    | CB W/1.38 LEAD HOLE FOR 37, 39, 307 & 30 | 1.000 EA |
| 09GS1000SP    | GASKET-CONDUIT BOX, 1/16 THICK LEXIDE    | 1.000 EA |
| 51XW2520A12   | .25-20 X .75, TAPTITE II, HEX WSHR SLTD  | 2.000 EA |
| 11XW1032G06   | 10-32 X .38, TAPTITE II, HEX WSHR SLTD U | 1.000 EA |
| HW3001B01     | 003SS CUP WASHER, FOR #8 SCREW           | 1.000 EA |
| 37EP1100B61   | FR TEBC 206 BRG W/ GRSR & THRU-SHAFT ENC | 1.000 EA |
| HW4500A01     | 1641B(ALEMITE)400 UNIV, GREASE FITT      | 1.000 EA |
| HW5100A06     | W2420-025 WVY WSHR (WB)                  | 1.000 EA |
| 37EP1300A01SP | FACE MT ENDPLATE-ENCL-307 BRG-213TC-215T | 1.000 EA |
| HW4500A01     | 1641B(ALEMITE)400 UNIV, GREASE FITT      | 1.000 EA |
| 10XN2520A30   | HEX HD CAP SCREW-STD THD-.25 X 20 THD PE | 4.000 EA |
| HW1001A25     | LOCKWASHER 1/4, ZINC PLT .493 OD, .255 I | 4.000 EA |
| XY3118A12     | 5/16-18 HEX NUT DIRECTIONAL SERRATION    | 4.000 EA |
| 10XN2520A08   | 1/4-20X1/2 HEX HEAD CAP                  | 2.000 EA |
| HA3218A06     | MALE-FEMALE STANDOFF .25-20 .38 HEX X .5 | 3.000 EA |
| 10XN2520A06   | 1/4 20X3/8 HX HD CAP                     | 3.000 EA |
| HW1001A25     | LOCKWASHER 1/4, ZINC PLT .493 OD, .255 I | 3.000 EA |
| 09CB3501SP    | CONDUIT BOX LID FOR 09CB3001 & 09CB3002  | 1.000 EA |
| 09GS1013SP    | 09 GS FOR 09CB3501 LID - LEXIDE          | 1.000 EA |
| 51XW2520A12   | .25-20 X .75, TAPTITE II, HEX WSHR SLTD  | 2.000 EA |
| HA1005A22     | SLINGER, OD 2.00, ID 1.14, 206 BRG, GM   | 1.000 EA |

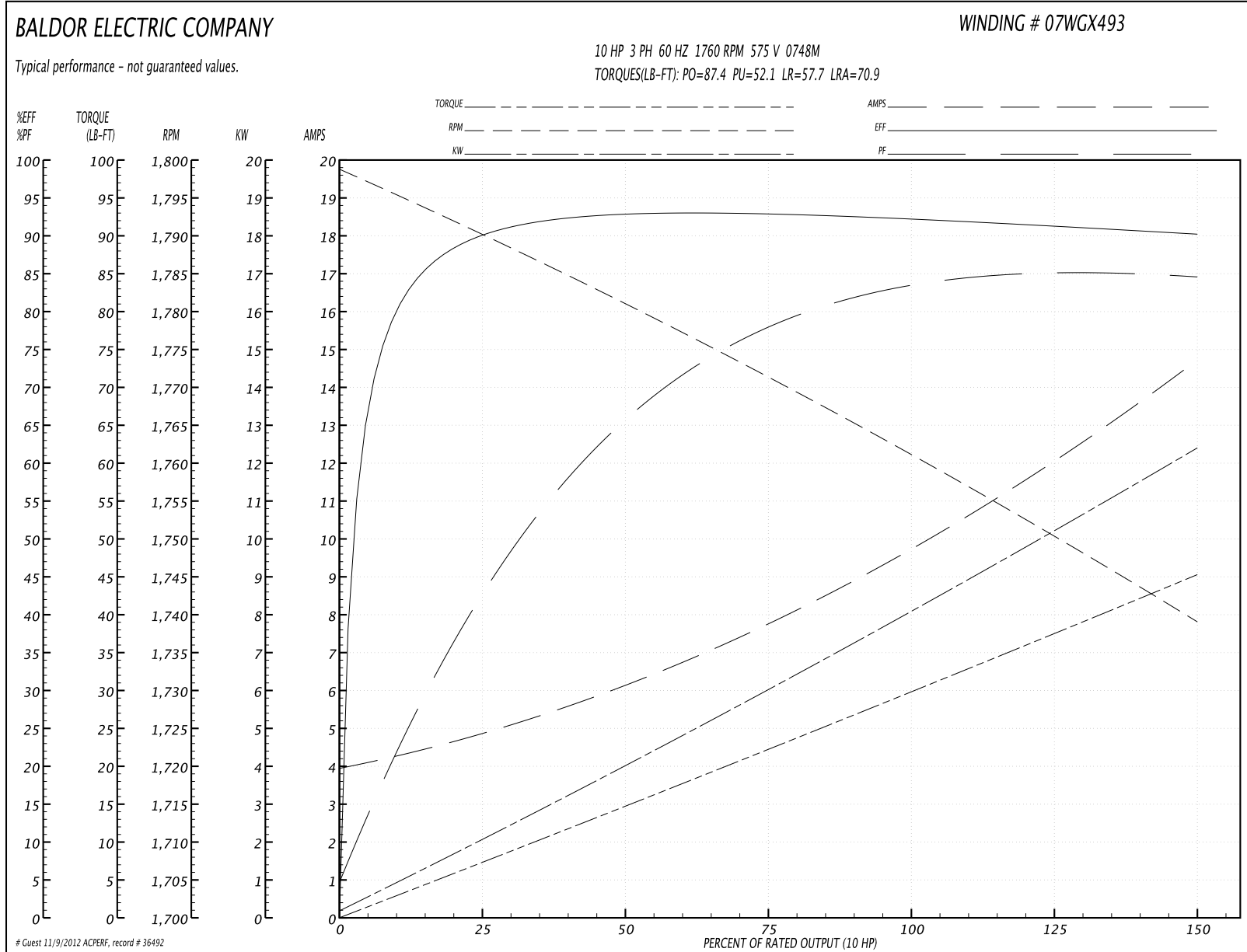
| Parts List (continued) |  |          |
|------------------------|--|----------|
| Part Number            | Description                              | Quantity |
| HW2501F21              | KEY, 5/16 SQ X 2.375                     | 1.000 EA |
| HA7000A02              | KEY RETAINER RING, 1 1/8 DIA, 1 3/8 DIA  | 1.000 EA |
| MJ5004A05              | #242-21 LOCTITE GENERAL PURPOSE MED. STR | 0.005 EA |
| 85XU0407S04            | 4X1/4 U DRIVE PIN STAINLESS              | 2.000 EA |
| LB1115                 | LABEL,LIFTING DEVICE                     | 1.000 EA |
| LB1009                 | LABEL,ROTATION DIRECTION (ON ROLLS)      | 1.000 EA |
| MJ1000A75              | GREASE, POLYREX EM EXXON                 | 0.050 LB |
| 07FH5002A01            | BLOWER ASSY. 07FH4001A03, EF5005         | 1.000 EA |
| MG1000G27              | PAINT- S9282E CHARCOAL GREY              | 0.036 GA |
| HA3104A32              | THRUBOLT- 5/16-18 X12.750                | 4.000 EA |
| LB1119                 | WARNING LABEL                            | 1.000 EA |
| LB1125C01              | STD (STOCK) CARTON LABEL BALDOR WITH FLA | 1.000 EA |
| LC0093                 | CONN LABEL, 1 PH, DUAL VOLT, FIXED ROT   | 1.000 EA |
| LC0006                 | CONNECTION LABEL                         | 1.000 EA |
| NP1162L                | SS INV UL CSA CC                         | 1.000 EA |
| 37PA1039               | PACKAGING GROUP                          | 1.000 EA |

**Performance Data at 575V, 60Hz, 10.0HP (Typical performance - Not guaranteed values)**

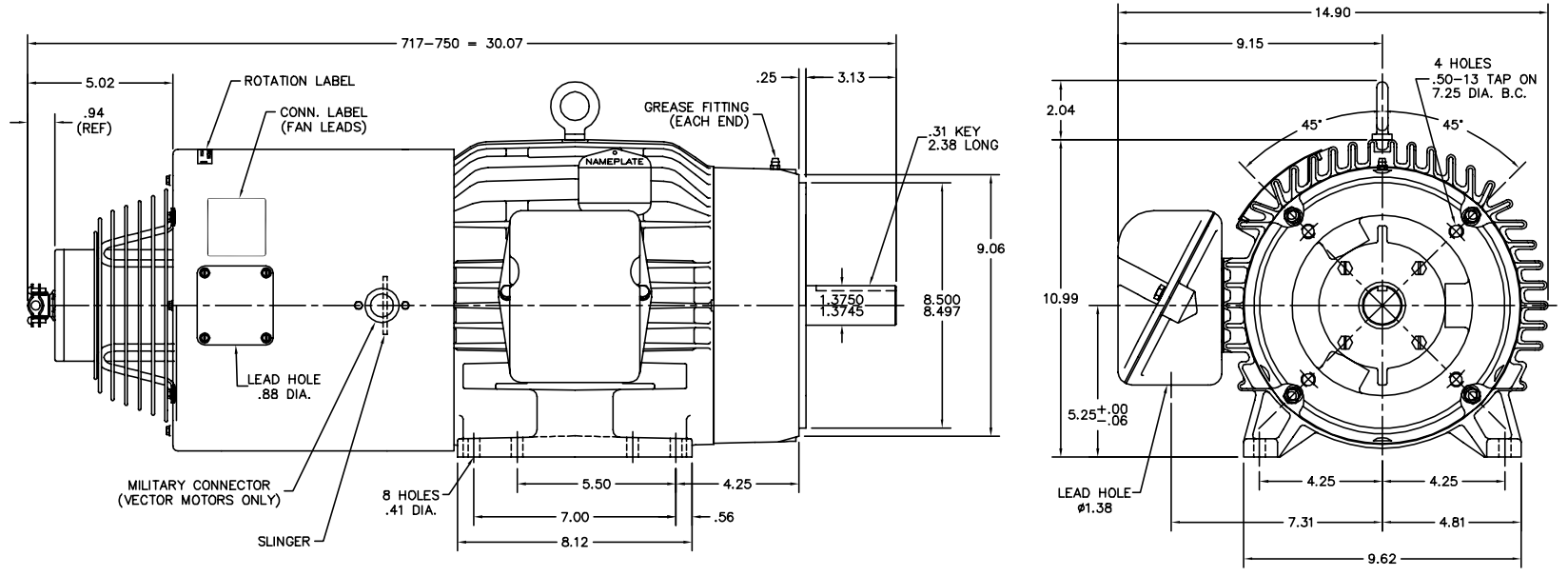
| General Characteristics  |                                |                      |            |
|--------------------------|--------------------------------|----------------------|------------|
| Full Load Torque:        | 29.7 LB-FT                     | Start Configuration: | DOL        |
| No-Load Current:         | 4.1 Amps                       | Break-Down Torque:   | 87.4 LB-FT |
| Line-line Res. @ 25°C.:  | 1.44 Ohms A Ph / 0.0 Ohms B Ph | Pull-Up Torque:      | 52.1 LB-FT |
| Temp. Rise @ Rated Load: | 59 C                           | Locked-Rotor Torque: | 57.7 LB-FT |
| Temp. Rise @ S.F. Load:  | 73 C                           | Starting Current:    | 70.9 Amps  |

| Load Characteristics |        |        |        |        |        |        |      |
|----------------------|--------|--------|--------|--------|--------|--------|------|
| % of Rated Load      | 25     | 50     | 75     | 100    | 125    | 150    | S.F. |
| Power Factor:        | 44.0   | 67.0   | 78.0   | 83.0   | 84.0   | 85.0   | 0.0  |
| Efficiency:          | 89.7   | 92.9   | 93.0   | 92.1   | 91.4   | 90.2   | 0.0  |
| Speed:               | 1790.0 | 1781.0 | 1771.0 | 1762.0 | 1750.0 | 1739.0 | 0.0  |
| Line Amperes:        | 4.67   | 6.02   | 7.8    | 9.82   | 12.2   | 14.6   | 0.0  |

Performance Graph at 575V, 60Hz, 10.0HP Typical performance - Not guaranteed values



07LYJ138



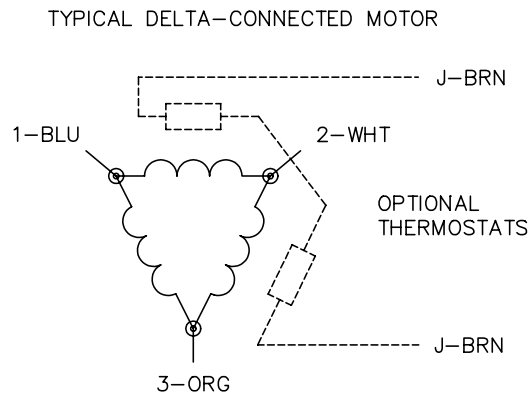
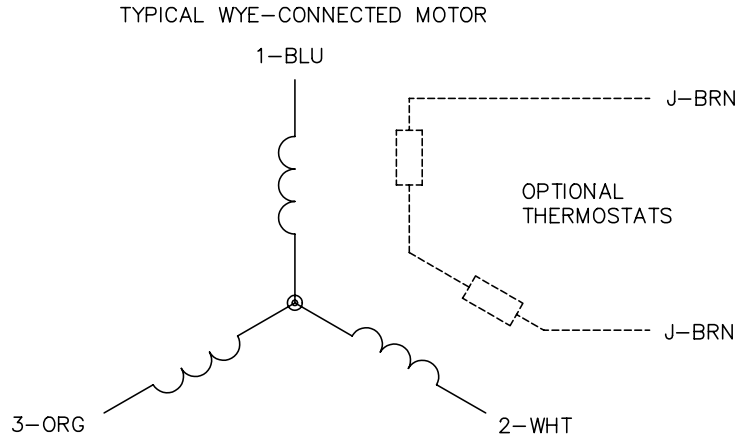
CUSTOMER IS RESPONSIBLE FOR DETERMINING THAT MOTOR PERFORMANCE IS SUITABLE IN THE APPLICATION.

|   |         |                              |             |
|---|---------|------------------------------|-------------|
| REV. DESC: CORRECT ROTATION LABEL GRAPHICS & LEADER |         |                              |             |
| REV. LTR: B   | BY: DLS | REVISED: 15:30:30 01/09/2002 | TDR: 251223 |
| FILE: AAA00071018                                   |         | REF: 07LYJ138                |             |
| MTL: -  |         |                              |             |

|   |
|---|
| <b>BALDOR ELECTRIC Co.</b>                                  |
| HORZ 213-5TC TEBC 307M INV/VEC THRU-SHAFT ENC W/ 1PH BLOWER |

07LYJ138

CD0006



NOTES:

1. THREE LEAD MOTOR MAY BE EITHER WYE CONNECTED OR DELTA CONNECTED.
2. INTERCHANGE ANY TWO LINE LEADS TO REVERSE ROTATION.
3. OPTIONAL THERMOSTATS ARE PROVIDED WHEN SPECIFIED.
4. ACTUAL NUMBER OF INTERNAL PARALLEL CIRCUITS MAY VARY.
5. LEAD COLORS ARE OPTIONAL. LEADS MUST BE NUMBERED AS SHOWN.

|   |         |                        |              |
|---|---------|------------------------|--------------|
| REV. DESC: REVISE TO SHOW OPTIONAL COLORS |         |                        |              |
| REV. LTR: D                               | BY: JLP | REVISED: 01/21/99 4:02 | TDR: 0171435 |
| 9000D                                     |         | FILE: AAA00005141      | MDL: -       |
|   |         | MTL: -                 |              |

**BALDOR ELECTRIC Co.**

3PH, SV, 3 LEADS, WYE OR DELTA CONNECTED

CD0006