

BALDOR® • **RELIANCE**

Product Information Packet

IDM4102T

20HP, 1180RPM, 3PH, 60HZ, 286T, 1062M, TEBC, F1

Copyright © All product information within this document is subject to Baldor Electric Company copyright © protection, unless otherwise noted.

Part Detail							
Revision:	Q	Status:	PRD/A	Change #:		Proprietary:	No
Type:	AC	Prod. Type:	1062M	Elec. Spec:	10WGX978	CD Diagram:	
Enclosure:	TEBC	Mfg Plant:		Mech. Spec:	10F206	Layout:	
Frame:	286T	Mounting:	F1	Poles:	06	Created Date:	03-03-2006
Base:	RG	Rotation:	R	Insulation:	H	Eff. Date:	12-07-2010
Leads:	9#10	Literature:		Elec. Diagram:		Replaced By:	

Nameplate NP1163L							
CAT NO	IDM4102T						
SPEC.	10F206X978G1						
FRAME	286T	HP	20 TE				
VOLTS	230/460						
MAG CUR	24.6/12.3	FLA	52/26				
RPM	1180	RPM MAX	4000				
HZ	60	PH	3	CLASS	H		
SER.F.	1.00	DES	A	SL HZ	0.85		
NEMA-NOM-EFF	93	WK2	7.59				
BLWR V		PH		HZ		A	
RATING	40C AMB-CONT						
DE BRG	6311	ODE BRG	6309				
CC		SN					

Parts List		
Part Number	Description	Quantity
SA139691	SA 10F206X978G1	1.000 EA
RA129147	RA 10F206X978G1	1.000 EA
10CB3000SP	STD KO BOX MODEL 310,312,314 MTRS W/2.00	1.000 EA
12GS1000SP	GASKET	1.000 EA
10XN3118K12	5/16-18 X .75 GRADE 5, ZINC PLATED	4.000 EA
HW1001A31	LOCKWASHER 5/16, ZINC PLT.591 OD, .319 I	4.000 EA
WD1000B16	KPA-4C BURNDY TERMINAL	1.000 EA
51XF2520A08	SCREW, HEX SER SLT HD, ZN 1/4-20 X .50 L	1.000 EA
10EP1104A57	FR. E.P. TEBC W/THRU SHAFT ENCODER DESIG	1.000 EA
HA4051A00	PLASTIC CAP FOR GREASE FITTING	1.000 EA
10XN3816K32	BOLT, 3/8-16X2 HH YZ(5)	4.000 EA
HW1001A38	LOCKWASHER 3/8, ZINC PLT .688 OD, .382 I	4.000 EA
HA1005A26	SLINGER, OD 3.00, ID 1.75, 309 BRG	1.000 EA
10XN2520K12	1/4-20 X.75 GRD 5	1.000 EA
HW1001A25	LOCKWASHER 1/4, ZINC PLT .493 OD, .255 I	1.000 EA
HW5100A11	W3917-042 WVY WSHR (WB)	1.000 EA
10XN2520K32	1/4-20 X 2.00 HX HD SCRW GRADE 5, ZINC P	2.000 EA
HW1001A25	LOCKWASHER 1/4, ZINC PLT .493 OD, .255 I	2.000 EA
10XN3118K40	5/16-18 X 2.50" HEX HD, GRADE 5	4.000 EA
HW1001A31	LOCKWASHER 5/16, ZINC PLT.591 OD, .319 I	4.000 EA
10EP1105A01	PU ENDPLATE, MACH 284-6T	1.000 EA
HA4051A00	PLASTIC CAP FOR GREASE FITTING	1.000 EA
10XN3816K28	3/8-16 X 1.75 HEX HD CAP SCREW, GRADE 5	4.000 EA
HW1001A38	LOCKWASHER 3/8, ZINC PLT .688 OD, .382 I	4.000 EA

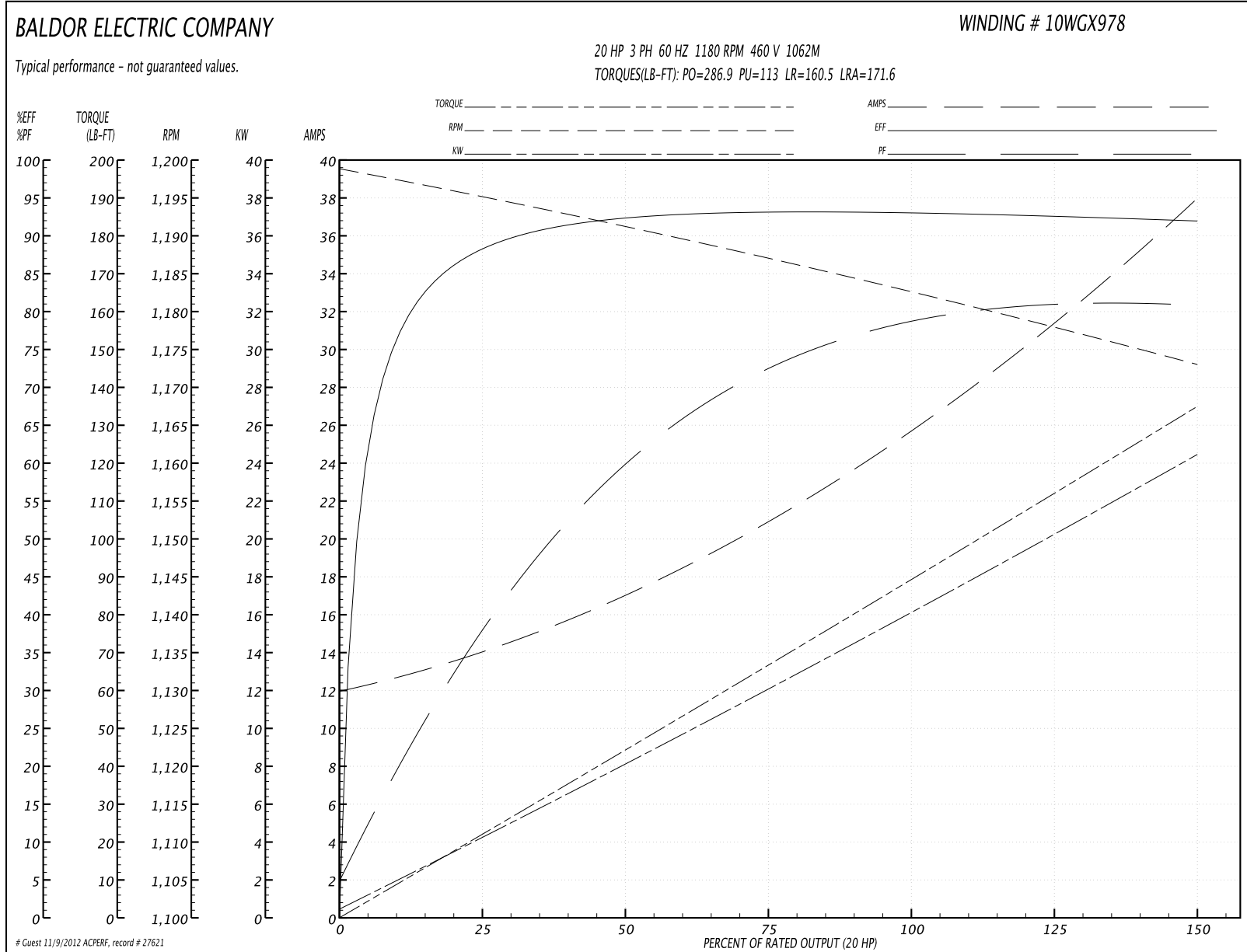
Parts List (continued)		
Part Number	Description	Quantity
HA1005A04SP	SLINGER, OD 3.620, ID 1.98,	1.000 EA
51XW2520A12	.25-20 X .75, TAPTITE II, HEX WSHR SLTD	6.000 EA
HW1001A25	LOCKWASHER 1/4, ZINC PLT .493 OD, .255 I	6.000 EA
10FH4006	310 VECTOR DR FAN HSG DUAL MTG (F1/F2	1.000 EA
HA6354A01	MTG. BRACKET 310 FRAME FAN HOUSING	4.000 EA
10XN3118K08	5/16-18 X .50 GRADE #5, STL, ZINC PLATE	4.000 EA
HW1001A31	LOCKWASHER 5/16, ZINC PLT.591 OD, .319 I	4.000 EA
WD4101A09	STIMPSON D3560, .875 DIA. HOLE PLUG	1.000 EA
10CB3500SP	CONDUIT BOX LID, CAST	1.000 EA
10GS1000SP	GASKET, CONDUIT BOX LID	1.000 EA
51XW2520A12	.25-20 X .75, TAPTITE II, HEX WSHR SLTD	4.000 EA
HW2501H28	KEY, 1/2 SQ X 3.250	1.000 EA
LB1115	LABEL,LIFTING DEVICE	1.000 EA
LB1009	LABEL,ROTATION DIRECTION (ON ROLLS)	1.000 EA
HW4500A21	1618BALEMITE FITTING 825 UNIVERSAL	1.000 EA
HA4017A01	1/8 X 4 GREASE EXT (F/S)	1.000 EA
HW4500A17	317400 ALEMITE GREASE RELIEF	1.000 EA
HA4001A01SP	DRAIN PLUG, PLASTIC (MICRO PLAS)	1.000 EA
MJ1000A75	GREASE, POLYREX EM EXXON	0.130 LB
HW4500A03	GREASE FITTING, .125 NPT 1610(ALEMITE) 8	1.000 EA
HW4500A17	317400 ALEMITE GREASE RELIEF	1.000 EA
HA4001A01SP	DRAIN PLUG, PLASTIC (MICRO PLAS)	1.000 EA
EF5002SP	VENTURI/GRILLE KIT FOR 310/312 TEBC MOTO	1.000 EA
33CB3002	CONDUIT BOX, CAST	1.000 EA

Parts List (continued)		
Part Number	Description	Quantity
34CB4500SP	CONDUIT BOX LID, STAMPED	1.000 EA
34GS1001	GASKET, STD CONDUIT BOX LID (LEXIDE)	1.000 EA
51XT0832A07	8-32 X .44 TYPE 23 HEX WASHER SLOTTED	4.000 EA
RM1022A02	GROMMET .875 ID 1.00 OD .12 WALL,VENDOR#	1.000 EA
51XN0832A12	8-32 HEX SLOT WSHR HD MACH SC GRADE 2, Z	2.000 EA
HW1001A08	WASHER, #8 SPLT LK, ZN	4.000 EA
XY0832A02	8-32 HEX NUT	2.000 EA
WD4101A08	STIMPSON #D3557,1.188 DIA. HOLE PLUG	2.000 EA
MG1000G27	PAINT- S9282E CHARCOAL GREY	0.070 GA
85XU0407A04	#4-7 X 1/4 DRIVE PIN	2.000 EA
LB5040	INSTRUCTION TAG, AC & DC	1.000 EA
LB1119	WARNING LABEL	1.000 EA
LB1125C01	STD (STOCK) CARTON LABEL BALDOR WITH FLA	4.000 EA
LC0181	CONNECTION LABEL	1.000 EA
NP1163L	ALUM INV UL CSA CC	1.000 EA
10PA1010	PACKAGING GROUP,BRAKE MTRTDR 10086	1.000 EA

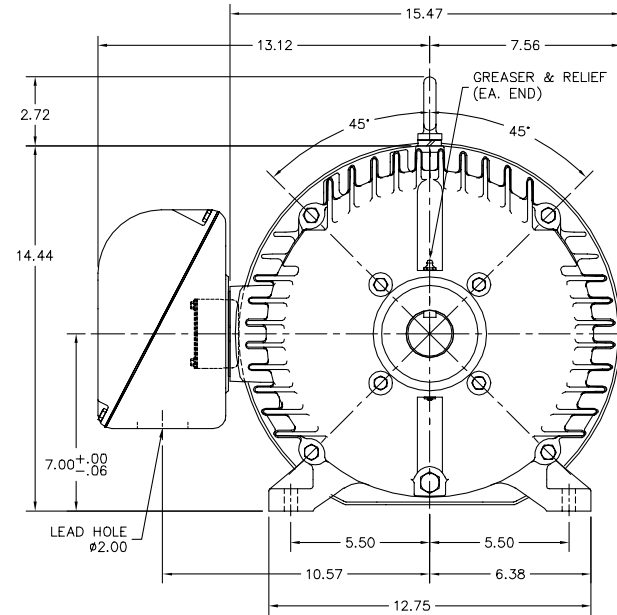
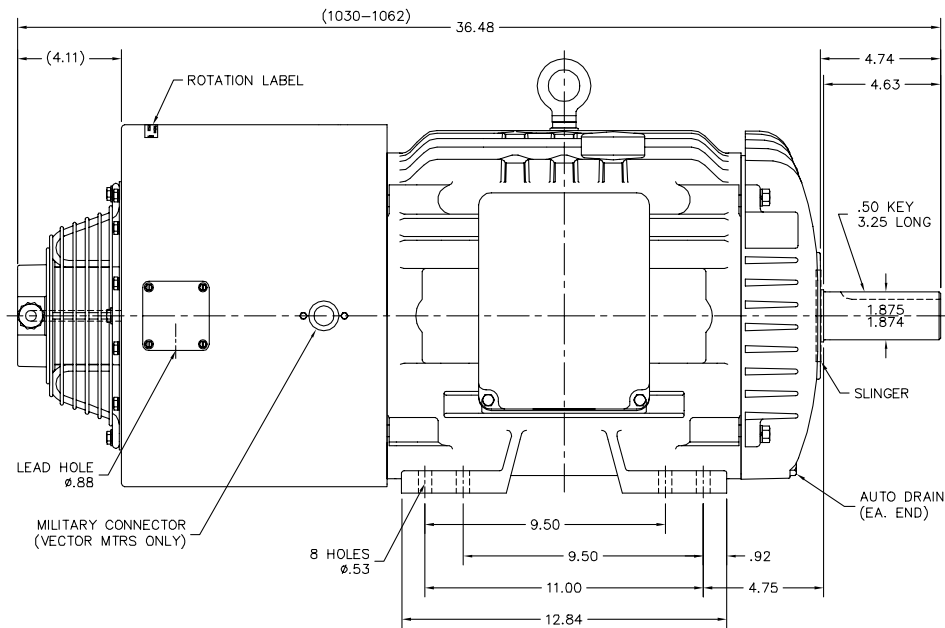
Performance Data at 460V, 60Hz, 20.0HP (Typical performance - Not guaranteed values)

General Characteristics							
Full Load Torque:	89.0 LB-FT			Start Configuration:	DOL		
No-Load Current:	12.3 Amps			Break-Down Torque:	286.9 LB-FT		
Line-line Res. @ 25°C.:	0.362 Ohms A Ph / 0.0 Ohms B Ph			Pull-Up Torque:	113.0 LB-FT		
Temp. Rise @ Rated Load:	47 C			Locked-Rotor Torque:	160.5 LB-FT		
Temp. Rise @ S.F. Load:				Starting Current:	171.6 Amps		
Load Characteristics							
% of Rated Load	25	50	75	100	125	150	S.F.
Power Factor:	39.0	61.0	72.0	78.0	80.0	81.0	0.0
Efficiency:	88.5	92.5	93.3	93.2	92.6	91.7	0.0
Speed:	1195.0	1191.0	1187.0	1183.0	1178.0	1173.0	0.0
Line Amperes:	13.6	16.9	21.0	25.9	31.4	37.7	0.0

Performance Graph at 460V, 60Hz, 20.0HP Typical performance - Not guaranteed values



10L YF 206



CUSTOMER IS RESPONSIBLE FOR DETERMINING THAT MOTOR PERFORMANCE IS SUITABLE IN THE APPLICATION.

REV. DESC: UPDATE TO A 1062 STACK		
REV. LTR: A	VERSION: 01	TDR: 000000387358
FILE: \AAA\00083\587	REVISED: 14:02:59 03/02/2006	BY: ENTYLLO
MTL: -		

BALDOR ELECTRIC Co.

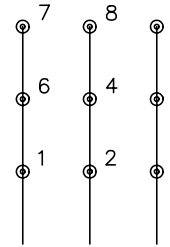
HORZ TEBC 284-6T INV/VEC W/THRU SHAFT ENCODER DESIGN

10L YF 206

CD0180

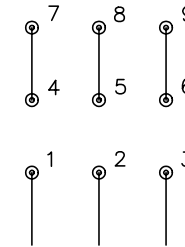


LOW VOLTAGE
(2D)



LINE

HIGH VOLTAGE
(1D)



LINE

NOTES:

1. INTERCHANGE ANY TWO LINE LEADS TO REVERSE ROTATION.
2. OPTIONAL THERMOSTATS ARE PROVIDED WHEN SPECIFIED.
3. ACTUAL NUMBER OF INTERNAL PARALLEL CIRCUITS MAY BE A MULTIPLE OF THOSE SHOWN ABOVE.
4. LEAD COLORS ARE OPTIONAL. LEADS MUST ALWAYS BE NUMBERED AS SHOWN.

REV. DESC: REVISE TO SHOW OPTIONAL COLORS			
REV. LTR: C	BY: JLP	REVISED: 01/21/99 2:28	TDR: 0171435
0810D0		FILE: AAA00005148	MDL: -
		MTL: -	

BALDOR ELECTRIC Co.

3PH, DV, 9 LEADS, DELTA CONNECTION

CD0180