

BALDOR® • ***RELIANCE***

Product Information Packet

IDNM3665T

5HP, 1760RPM, 3PH, 60HZ, 184TC, 0640M, TENV, F1

Copyright © All product information within this document is subject to Baldor Electric Company copyright © protection, unless otherwise noted.

| Part Detail | | | | | | | |
|-------------|-------|-------------|-------|----------------|----------|---------------|------------|
| Revision: | P | Status: | PRD/A | Change #: | | Proprietary: | No |
| Type: | AC | Prod. Type: | 0640M | Elec. Spec: | 06WGW531 | CD Diagram: | |
| Enclosure: | TENV | Mfg Plant: | | Mech. Spec: | 06F551 | Layout: | |
| Frame: | 184TC | Mounting: | F1 | Poles: | 04 | Created Date: | |
| Base: | RG | Rotation: | R | Insulation: | H | Eff. Date: | 10-04-2012 |
| Leads: | 9#16 | Literature: | | Elec. Diagram: | | Replaced By: | |

| Nameplate NP1162L | | | | | | | |
|-------------------|--------------|---------|----------|-------|-----|---|--|
| CAT NO | IDNM3665T | | | | | | |
| SPEC. | 06F551W531G1 | | | | | | |
| FRAME | 184TC | HP | 5 | TE | | | |
| VOLTS | 230/460 | | | | | | |
| MAG CUR | 7.2/3.6 | FLA | 13.2/6.6 | | | | |
| RPM | 1760 | RPM MAX | 6000 | | | | |
| HZ | 60 | PH | 3 | CLASS | H | | |
| SER.F. | 1.00 | DES | B | SL HZ | 1.6 | | |
| NEMA-NOM-EFF | 89.5 | WK2 | 0.37 | | | | |
| BLWR V | | PH | | HZ | | A | |
| RATING | 40C AMB-CONT | | | | | | |
| DE BRG | 6206 | ODE BRG | 6205 | | | | |
| CC | | SN | | | | | |
| | | | | | | | |

| Parts List | | |
|---------------|--|----------|
| Part Number | Description | Quantity |
| SA074501 | SA 06F551W531G1 | 1.000 EA |
| RA068190 | RA 06F551W531G1 | 1.000 EA |
| HW3201A05 | 3/8-16 EYEBOLT | 1.000 EA |
| 06CB3000 | CONDUIT BOX CAST | 1.000 EA |
| 06GS1000 | GASKET, CONDUIT BOX | 1.000 EA |
| 51XW2520A12 | .25-20 X .75, TAPTITE II, HEX WSHR SLTD | 2.000 EA |
| 11XW1032G06 | 10-32 X .38, TAPTITE II, HEX WSHR SLTD U | 1.000 EA |
| HW3001B01 | 003SS CUP WASHER, FOR #8 SCREW | 1.000 EA |
| 36EP1101B70 | FR TENV 205 BRG W/ GRSR & THRU-SHAFT ENC | 1.000 EA |
| HW4500A01 | 1641B(ALEMITE)400 UNIV, GREASE FITT | 1.000 EA |
| HW5100A05 | WVY WSHR F/205 & 304 BRGS | 1.000 EA |
| 36EP1300A01SP | PU ENDPLATE, MACH | 1.000 EA |
| HW4500A01 | 1641B(ALEMITE)400 UNIV, GREASE FITT | 1.000 EA |
| 10XN2520A26 | 1/4-20X 1 5/8 HEX HD | 4.000 EA |
| HW1001A25 | LOCKWASHER 1/4, ZINC PLT .493 OD, .255 I | 4.000 EA |
| HA3101A34 | THRUBOLT- 1/4-20 X 10.375 | 4.000 EA |
| 35FH4801G | THRU-SHAFT ENCODER COVER INV/VECTOR F1 & | 1.000 EA |
| WD4129 | 1.50 X 1.50 GRAY SNAP IN PLUG PROMOULD # | 2.000 EA |
| 10XN2520A08 | 1/4-20X1/2 HEX HEAD CAP | 4.000 EA |
| 10XN2520A08 | 1/4-20X1/2 HEX HEAD CAP | 1.000 EA |
| 06CB3500 | CONDUIT BOX LID - ALUMINUM DIE CAST | 1.000 EA |
| 06GS1001 | GASKET, CONDUIT BOX LID | 1.000 EA |
| 51XW2520A12 | .25-20 X .75, TAPTITE II, HEX WSHR SLTD | 2.000 EA |
| HW2501E16 | 3KEY, 1/4 SQ X 1.750 | 1.000 EA |

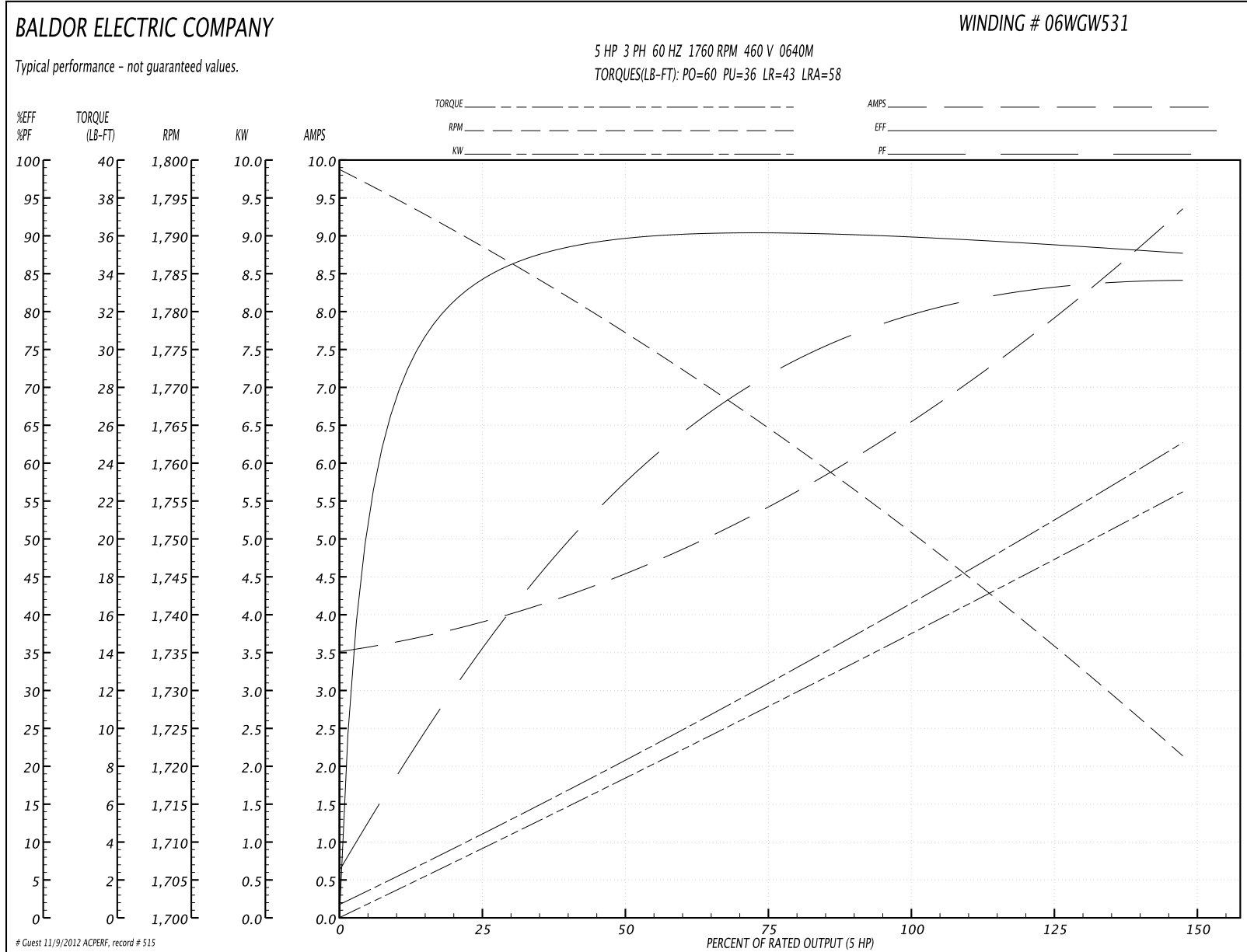
| Parts List (continued) | | |
|------------------------|--|----------|
| Part Number | Description | Quantity |
| HA7000A02 | KEY RETAINER RING, 1 1/8 DIA, 1 3/8 DIA | 1.000 EA |
| MJ5004A05 | #242-21 LOCTITE GENERAL PURPOSE MED. STR | 0.005 EA |
| 85XU0407S04 | 4X1/4 U DRIVE PIN STAINLESS | 2.000 EA |
| LB1115 | LABEL,LIFTING DEVICE | 1.000 EA |
| MJ1000A75 | GREASE, POLYREX EM EXXON | 0.050 LB |
| MG1000G27 | PAINT- S9282E CHARCOAL GREY | 0.028 GA |
| LB1119 | WARNING LABEL | 1.000 EA |
| LB1125C01 | STD (STOCK) CARTON LABEL BALDOR WITH FLA | 1.000 EA |
| LC0145B01 | CONNECTION LABEL | 1.000 EA |
| NP1162L | SS INV UL CSA CC | 1.000 EA |
| 36PA1001 | PACKAGING GROUP | 1.000 EA |

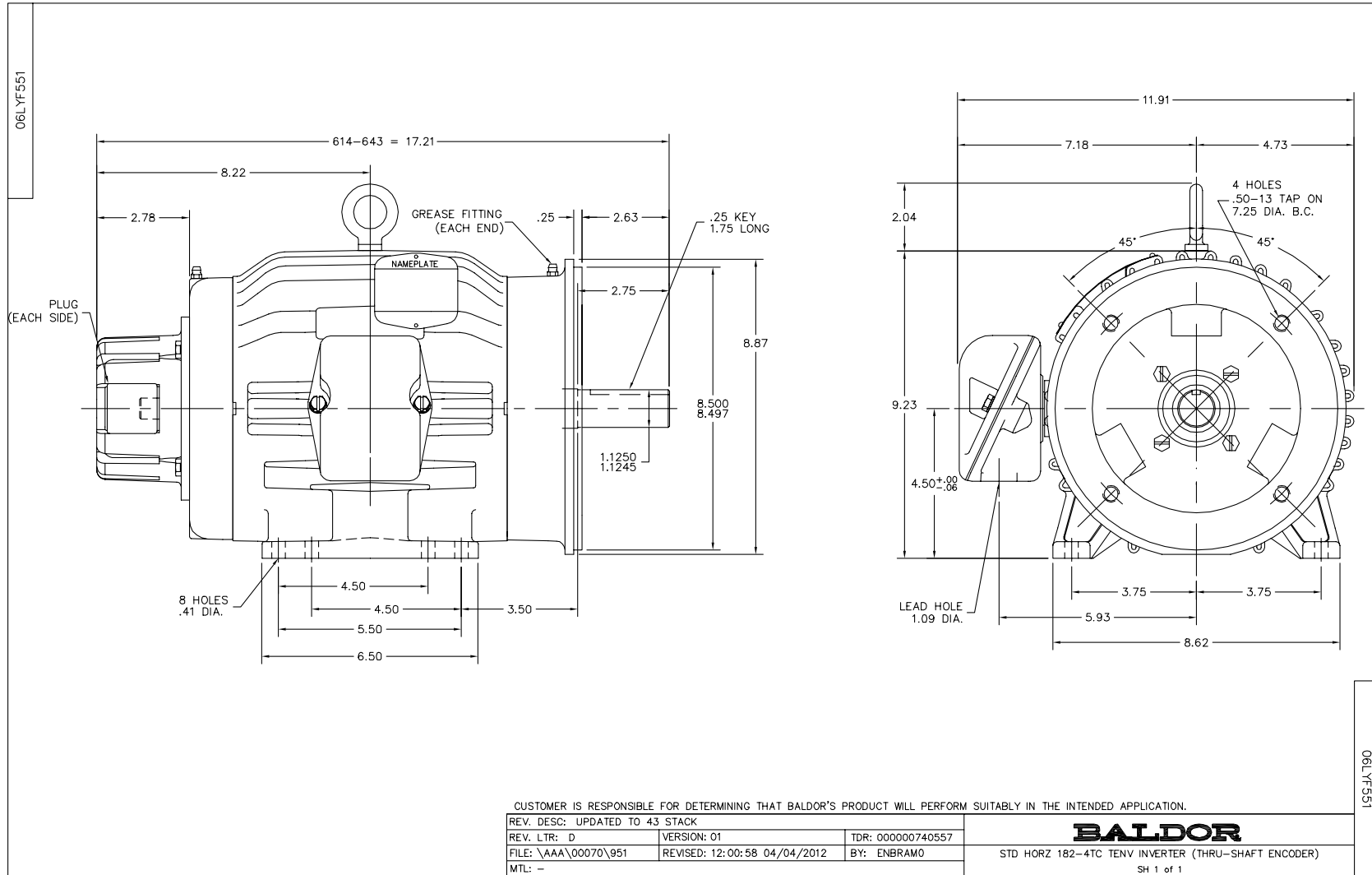
Performance Data at 460V, 60Hz, 5.0HP (Typical performance - Not guaranteed values)

| General Characteristics | | | |
|--------------------------|--------------------------------|----------------------|------------|
| Full Load Torque: | 15.0 LB-FT | Start Configuration: | DOL |
| No-Load Current: | 3.6 Amps | Break-Down Torque: | 60.0 LB-FT |
| Line-line Res. @ 25°C.: | 2.11 Ohms A Ph / 0.0 Ohms B Ph | Pull-Up Torque: | 36.0 LB-FT |
| Temp. Rise @ Rated Load: | 98 C | Locked-Rotor Torque: | 43.0 LB-FT |
| Temp. Rise @ S.F. Load: | | Starting Current: | 58.0 Amps |

| Load Characteristics | | | | | | | |
|----------------------|--------|--------|--------|--------|--------|--------|------|
| % of Rated Load | 25 | 50 | 75 | 100 | 125 | 150 | S.F. |
| Power Factor: | 37.0 | 58.0 | 72.0 | 79.0 | 83.0 | 86.0 | 0.0 |
| Efficiency: | 84.5 | 89.4 | 90.3 | 90.0 | 89.0 | 87.6 | 0.0 |
| Speed: | 1788.0 | 1777.0 | 1764.0 | 1751.0 | 1737.0 | 1721.0 | 0.0 |
| Line Amperes: | 3.8 | 4.5 | 5.5 | 6.6 | 7.9 | 9.3 | 0.0 |

Performance Graph at 460V, 60Hz, 5.0HP Typical performance - Not guaranteed values





CD0005



LOW VOLTAGE
(2Y)



LINE

HIGH VOLTAGE
(1Y)



LINE

NOTES:

1. INTERCHANGE ANY TWO LINE LEADS TO REVERSE ROTATION.
2. OPTIONAL THERMOSTATS ARE PROVIDED WHEN SPECIFIED.
3. ACTUAL NUMBER OF INTERNAL PARALLEL CIRCUITS MAY BE A MULTIPLE OF THOSE SHOWN ABOVE.
4. LEAD COLORS ARE OPTIONAL. LEADS MUST ALWAYS BE NUMBERED AS SHOWN.

| | | | |
|---|---------|-------------------------|--------------|
| REV. DESC: REVISE TO SHOW OPTIONAL COLORS | | | |
| REV. LTR: E | BY: JLP | REVISED: 01/19/99 10:15 | TDR: 0171435 |
| 90000 | | FILE: AAA00005140 | MDL: - |
| | | MTL: - | |

BALDOR ELECTRIC Co.

3PH, DV, 9 LEADS

CD0005