

# **BALDOR® • RELIANCE**

## **Product Information Packet**

### **IDNM3770T**

**7.5HP, 1760RPM, 3PH, 60HZ, 213TC, 0750M, TENV**

Copyright © All product information within this document is subject to Baldor Electric Company copyright © protection, unless otherwise noted.

Part Detail							
Revision:	H	Status:	PRD/A	Change #:		Proprietary:	No
Type:	AC	Prod. Type:	0750M	Elec. Spec:	07WGW747	CD Diagram:	
Enclosure:	TENV	Mfg Plant:		Mech. Spec:	07J135	Layout:	
Frame:	213TC	Mounting:	F1	Poles:	04	Created Date:	
Base:	RG	Rotation:	R	Insulation:	H	Eff. Date:	09-21-2012
Leads:	9#14	Literature:		Elec. Diagram:		Replaced By:	

**Nameplate NP1162L**

CAT NO	IDNM3770T						
SPEC.	07J135W747G1						
FRAME	213TC	HP	7.5	TE			
VOLTS	230/460						
MAG CUR	11/5.5	FLA	20.2/10.1				
RPM	1760	RPM MAX	6000				
HZ	60	PH	3	CLASS	H		
SER.F.	1.00	DES	A	SL HZ	1		
NEMA-NOM-EFF	91.7	WK2	1.23				
BLWR V		PH		HZ		A	
RATING	40C AMB-CONT						
DE BRG	6307	ODE BRG	6206				
CC		SN					

Parts List		
Part Number	Description	Quantity
SA093208	SA 07J135W747G1	1.000 EA
RA085812	RA 07J135W747G1	1.000 EA
HW3201A05	3/8-16 EYEBOLT	1.000 EA
09CB3002SP	CB W/1.38 LEAD HOLE FOR 37, 39, 307 & 30	1.000 EA
09GS1000SP	GASKET-CONDUIT BOX, 1/16 THICK LEXIDE	1.000 EA
51XW2520A12	.25-20 X .75, TAPTITE II, HEX WSHR SLTD	2.000 EA
11XW1032G06	10-32 X .38, TAPTITE II, HEX WSHR SLTD U	1.000 EA
HW3001B01	003SS CUP WASHER, FOR #8 SCREW	1.000 EA
37EP1100B86	FRONT TENV 206 BRG W/ GRSSR & THRU-SH ENC	1.000 EA
HW4500A01	1641B(ALEMITE)400 UNIV, GREASE FITT	1.000 EA
HW5100A06	W2420-025 WVY WSHR (WB)	1.000 EA
37EP1300A01SP	FACE MT ENDPLATE-ENCL-307 BRG-213TC-215T	1.000 EA
HW4500A01	1641B(ALEMITE)400 UNIV, GREASE FITT	1.000 EA
10XN2520A30	HEX HD CAP SCREW-STD THD-.25 X 20 THD PE	4.000 EA
HW1001A25	LOCKWASHER 1/4, ZINC PLT .493 OD, .255 I	4.000 EA
HA3104A32	THRUBOLT- 5/16-18 X12.750	4.000 EA
XY3118A12	5/16-18 HEX NUT DIRECTIONAL SERRATION	4.000 EA
35FH4801G	THRU-SHAFT ENCODER COVER INV/VECTOR F1 &	1.000 EA
WD4129	1.50 X 1.50 GRAY SNAP IN PLUG PROMOULD #	2.000 EA
10XN2520A08	1/4-20X1/2 HEX HEAD CAP	4.000 EA
10XN2520A08	1/4-20X1/2 HEX HEAD CAP	2.000 EA
09CB3501SP	CONDUIT BOX LID FOR 09CB3001 & 09CB3002	1.000 EA
09GS1013SP	09 GS FOR 09CB3501 LID - LEXIDE	1.000 EA
51XW2520A12	.25-20 X .75, TAPTITE II, HEX WSHR SLTD	2.000 EA

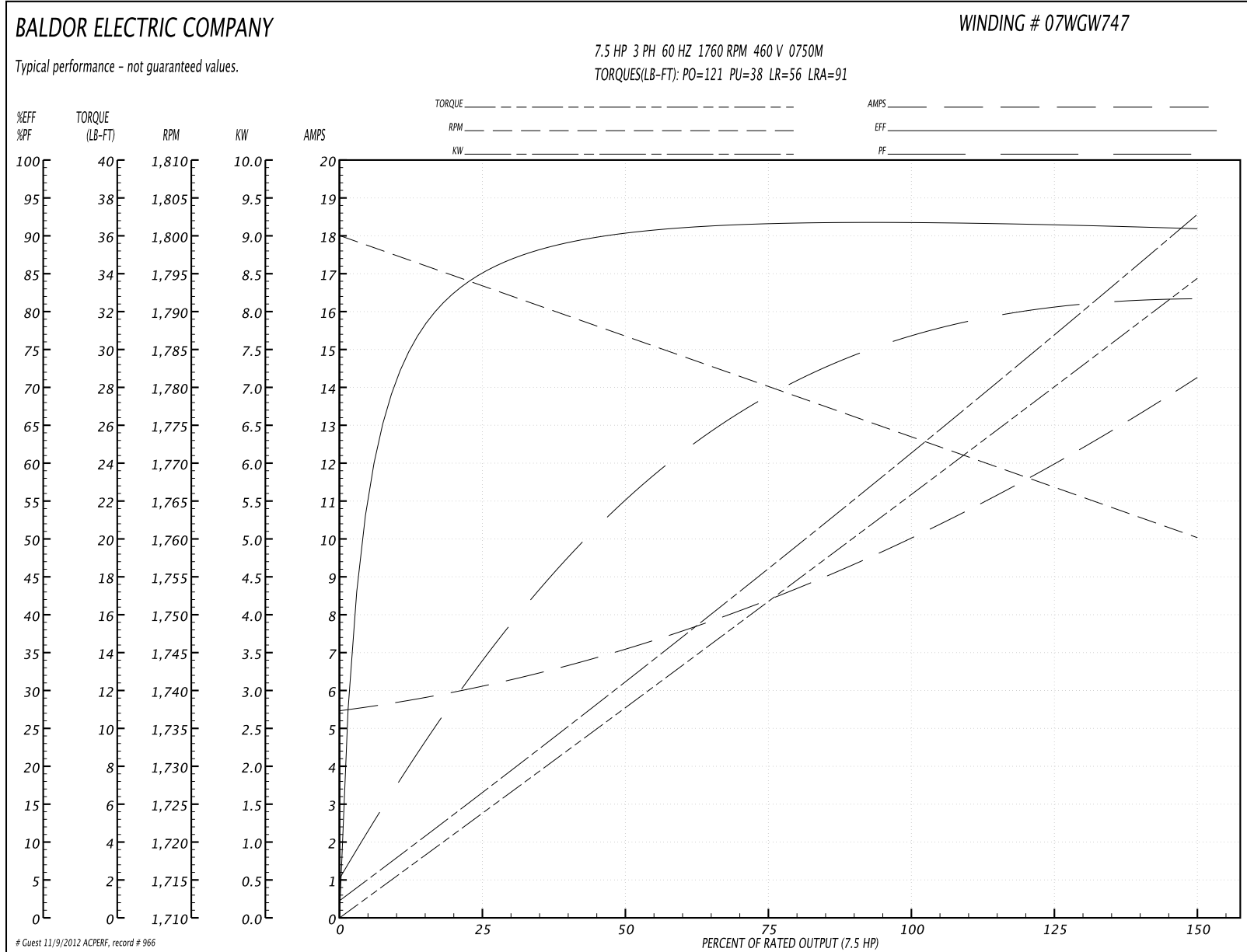
Parts List (continued)		
Part Number	Description	Quantity
HW2501F21	KEY, 5/16 SQ X 2.375	1.000 EA
HA7000A02	KEY RETAINER RING, 1 1/8 DIA, 1 3/8 DIA	1.000 EA
MJ5004A05	#242-21 LOCTITE GENERAL PURPOSE MED. STR	0.005 EA
85XU0407S04	4X1/4 U DRIVE PIN STAINLESS	2.000 EA
LB1115	LABEL,LIFTING DEVICE	1.000 EA
MJ1000A75	GREASE, POLYREX EM EXXON	0.050 LB
MG1000G27	PAINT- S9282E CHARCOAL GREY	0.036 GA
LB1119	WARNING LABEL	1.000 EA
LB1125C01	STD (STOCK) CARTON LABEL BALDOR WITH FLA	1.000 EA
LC0145B01	CONNECTION LABEL	1.000 EA
NP1162L	SS INV UL CSA CC	1.000 EA
07PA1011	PKG GRP, 07 CAST IRON PK1181	1.000 EA
10XL3808A28	3/8 X 1 3/4" LAG SCREW	2.000 EA

**Performance Data at 460V, 60Hz, 7.5HP (Typical performance - Not guaranteed values)**

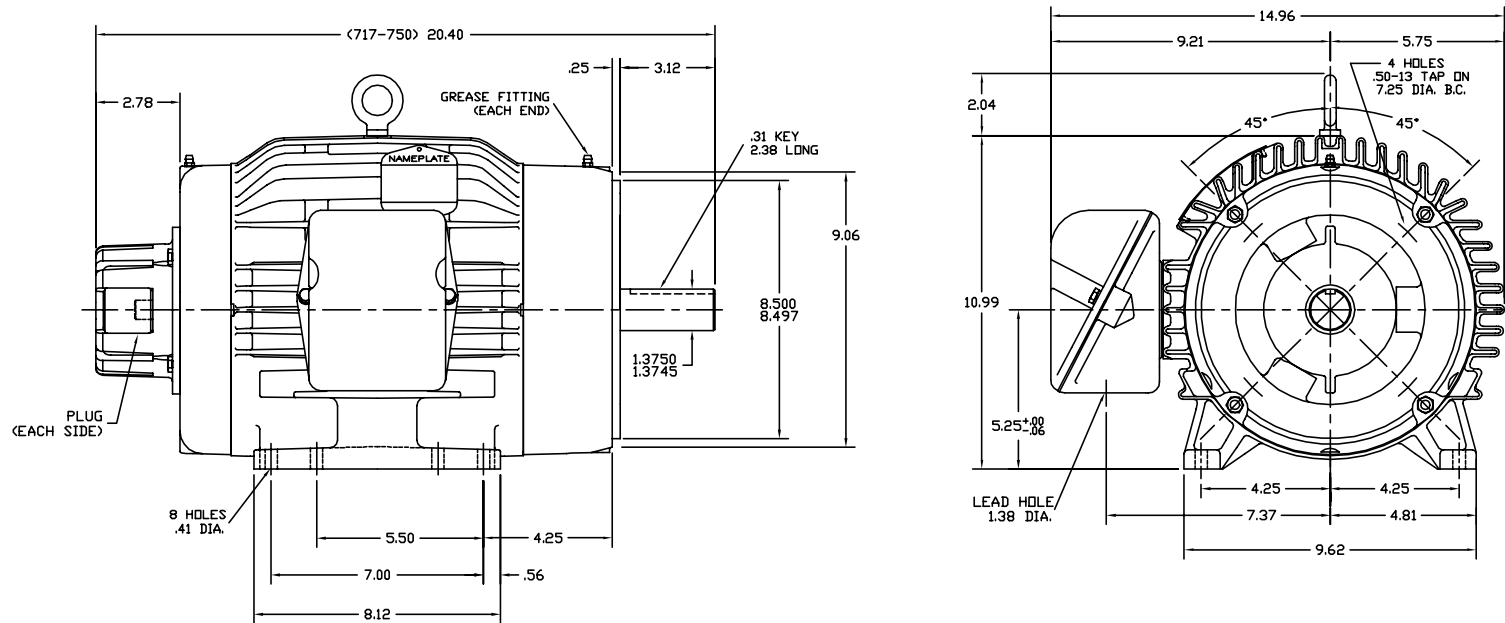
General Characteristics			
Full Load Torque:	22.5 LB-FT	Start Configuration:	DOL
No-Load Current:	5.5 Amps	Break-Down Torque:	121.0 LB-FT
Line-line Res. @ 25°C.:	0.849 Ohms A Ph / 0.0 Ohms B Ph	Pull-Up Torque:	38.0 LB-FT
Temp. Rise @ Rated Load:	85 C	Locked-Rotor Torque:	56.0 LB-FT
Temp. Rise @ S.F. Load:		Starting Current:	91.0 Amps

Load Characteristics							
% of Rated Load	25	50	75	100	125	150	S.F.
Power Factor:	34.0	55.0	68.0	76.0	79.0	81.0	0.0
Efficiency:	84.8	90.3	91.8	91.7	91.5	90.9	0.0
Speed:	1794.0	1788.0	1781.0	1770.0	1767.0	1761.0	0.0
Line Amperes:	6.1	7.1	8.4	10.1	12.1	14.2	0.0

Performance Graph at 460V, 60Hz, 7.5HP Typical performance - Not guaranteed values



07LYJ135



CUSTOMER IS RESPONSIBLE FOR DETERMINING THAT MOTOR PERFORMANCE IS SUITABLE IN THE APPLICATION.

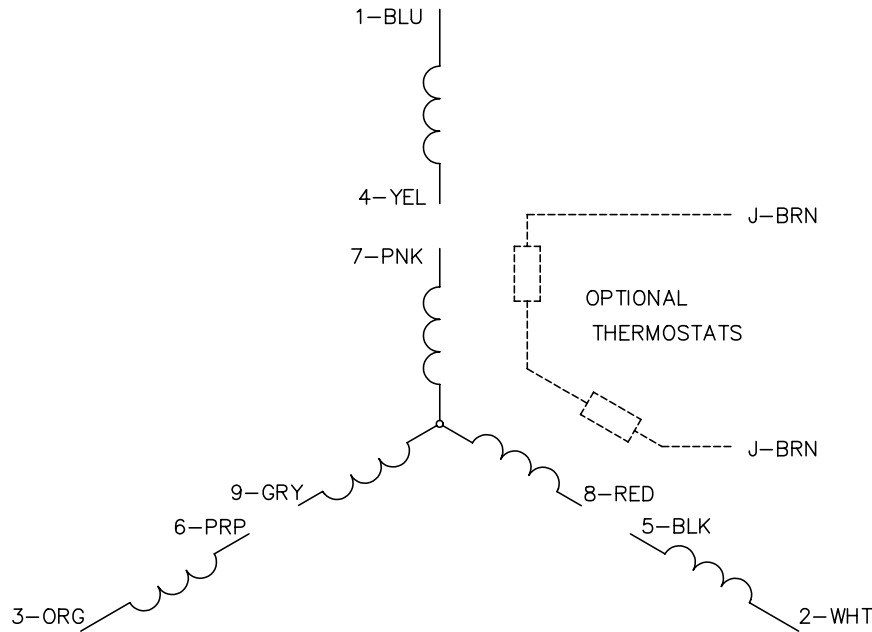
REV. DESC: ADDED PLUGS FOR INV/VEC COVER			
REV. LTR: C	BY: BGM	REVISED: 12:01:20 09/29/2002	TDR: 280837
FILE: AAA00071002		REF: 07LYJ135	
MTL: -			

**BALDOR ELECTRIC Co.**

STD HORZ 213-STC TENV 307M INVERTER (THRU-SHAFT ENCODER)

07LYJ135

CD0005

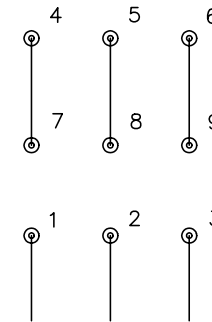


LOW VOLTAGE (2Y)



LINE

HIGH VOLTAGE (1Y)



LINE

NOTES:

1. INTERCHANGE ANY TWO LINE LEADS TO REVERSE ROTATION.
2. OPTIONAL THERMOSTATS ARE PROVIDED WHEN SPECIFIED.
3. ACTUAL NUMBER OF INTERNAL PARALLEL CIRCUITS MAY BE A MULTIPLE OF THOSE SHOWN ABOVE.
4. LEAD COLORS ARE OPTIONAL. LEADS MUST ALWAYS BE NUMBERED AS SHOWN.

REV. DESC: REVISE TO SHOW OPTIONAL COLORS			
REV. LTR: E	BY: JLP	REVISED: 01/19/99 10:15	TDR: 0171435
90000		FILE: AAA00005140	MDL: -
		MTL: -	

**BALDOR ELECTRIC Co.**

3PH, DV, 9 LEADS

CD0005