

BALDOR® • *RELIANCE*

Product Information Packet

IDNRPM18054C

5HP,1770RPM,3PH,60HZ,1838C,TENV,FT/180T

Copyright © All product information within this document is subject to Baldor Electric Company copyright © protection, unless otherwise noted.

Part Detail			
Model Number:	IDNRPM18054C	Environment:	General Purpose
Voltage:	230/460	HP:	5
RPM:	1770/3540	Efficiency:	NA
Phase:	3	Frequency:	N/A
Inverter Duty:	Y	Enclosure:	TENV
Frame Group:	180	Frame Size:	FL1838C
Features:	RPM AC	Mounting:	Foot Mounted
Service Factor:	1	Enclosure Group:	TENV
Weight:	0	Price Symbol:	E2
Speed Range:		Insulation Class:	H
Nema Design:		Encl. Enhancement:	
Catalog Page:	B-194	Dimension Sheet:	617228-3
Connection Diagram:	422927-1	Electric Design:	L3221A
Single HP:	5	Get Notes:	RPM AC
Revision:		Instruction Manual:	
Application:	Variable Speed-V*S	Epact:	Y
Scaled Drawing:		Obsolete:	N
Last Data Source:	RGG,MADD	Bearing Type:	
Electrical Type:		Mounting Pos.:	
Ambient:	40	Duty:	
Amps:		Nominal Eff.:	
Kva Code:		Power Factor:	
Poles:	00	Literature:	

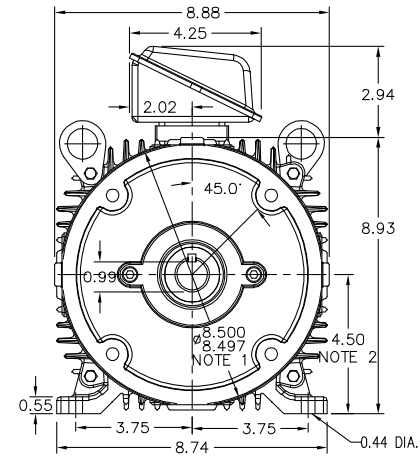
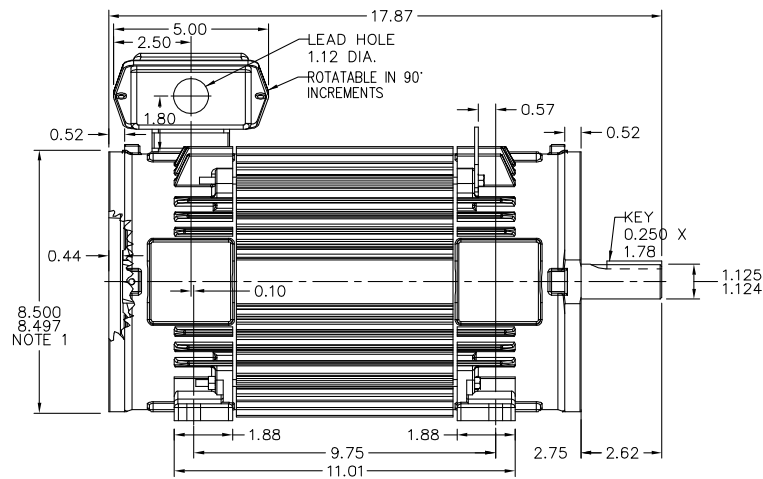
RPM-AC FINNED FRAME VARIABLE SPEED ALTERNATING CURRENT MOTOR
FL1838C

ENCLOSURE: TOTALLY ENCLOSED
MOUNTING: FOOT / NEMA 180TC C-FACE
DRIVE METHOD: COUPLED OR BELTED

COOLING: NON-VENTILATED

ACCESSORIES: PROVISIONS FOR
TACHOMETER MOUNTING
ONLY WHEN SPECIFIED

617228-003



NOTE 1: C-FACE & TACHOMETER MOUNTING
1/2-13 TAP, 1.00 DEEP, ON A 7.25 DIA. BOLT CIRCLE
FACE RUNOUT AND ECCENTRICITY 0.004 MAX. T.I.R.

NOTE 2: SHAFT HEIGHT WILL NOT BE EXCEEDED
SHIMS UP TO 0.03 INCHES IN THICKNESS ARE USUALLY
REQUIRED FOR COUPLED OR GREARED MACHINES

TERMINAL BOX MAY BE LOCATED F1 OR F2 IF SPECIFIED
40 AMP STEEL TERMINAL BOX SHOWN
REFER TO 616779-50 FOR SPECIFIED TERMINAL BOX DIMENSIONS
REFER TO 616779-55 FOR SPECIFIED TACHOMETER DIMENSIONS

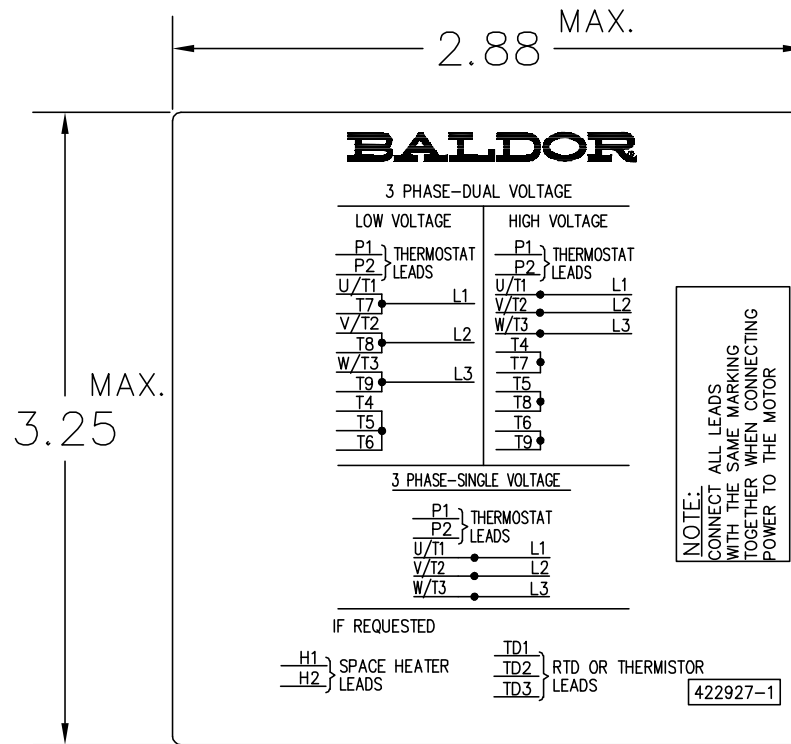
MOTOR WEIGHT: 143 LBS. (MAY VARY 15%)
DIMENSIONS ARE IN INCHES SCALE: 1.00

617228-003

CUSTOMER IS RESPONSIBLE FOR DETERMINING THAT BALDOR'S PRODUCT WILL PERFORM SUITABLY IN THE INTENDED APPLICATION.

REV. DESC: ASSIGNED TO BUSLOAD			
REV. LTR: -	VERSION: 00	TDR: 000000483717	
FILE: \RGG\00003\495	REVISED: 12:59:46 12/05/2008	BY: CONBAT	BALDOR • DODGE • RELIANCE
MTL: -	DIM SHT RPM AC TE NON VENT FL1838C FT / 180TC MTG PROV TACH		
SH 1 of 1			

422927-001



NOTE:
DATA TO BE SIZED SO THAT IT FITS INTO MATERIAL DECAL DIMENSIONS. MAKE LETTERS & NUMBERS AS LARGE AS POSSIBLE.

MATERIAL: CERAMATIC DGF-P4
PERMA GRIP ADHESIVE

ALL LETTERS, NUMBERS AND LINES TO BE BLACK ON GOLD BACKGROUND.

422927-1

422927-001

REV. DESC: CHANGE LOGO TO BALDOR		
REV. LTR: A	VERSION: 01	TDR: 000000556744
FILE: \RGG\00000\203	REVISED: 02:51:59 09/02/2010	
MTL: -	BY: RGGWT	

BALDOR

EXTERNAL CONNECTION LABEL
SH 1 of 1

REL. S.O.	-	VOLTS	460	ENCLOSURE	TENV	WYE CONN EQ CKT OHMS PER PHASE (AT BASE RATING, 25 °C)
FRAME	FL1838	AMPS	7.2	MAX SAFE RPM	7200	R1 .803 X1 2.62
HP	5	DUTY	CONT	IM (AMPS)	4.4	R2 .523 X2 3.46
BASE SPEED	1770	S.F.	1.0	P.F.@NL/FL	.069/.745	XM 59.7
PHASE/HERTZ	3/60	AMB °C/INSUL	60/H	WK ² (LB-FT ²)	.528	

RATED FULL LOAD DATA


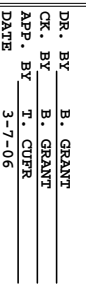
	RPM	HP	TORQUE LB-FT	FUND VOLTS	FREQ-HZ	AMPS
BASE SPEED	1770	5.01	15	460	60	7.44
MAX SPEED	3534	5.00	7	460	120	6.76
MIN SPEED	0	0	15	16.7	.989	7.44

LOAD PERFORMANCE AT BASE SPEED

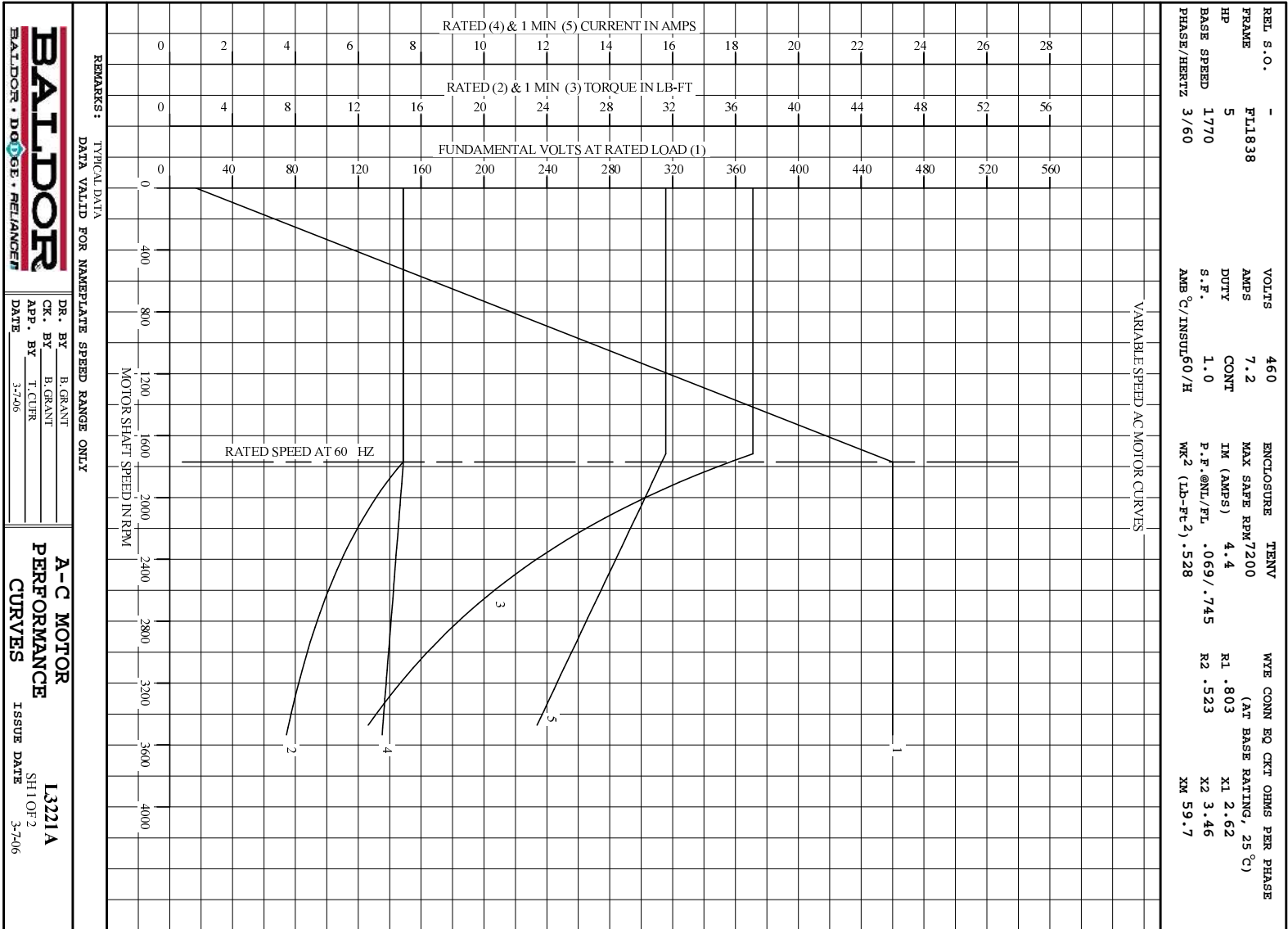
	RPM	HP	TORQUE LB-FT	FUND VOLTS	FREQ-HZ	AMPS
NO LOAD	1800	0	0	460	60	4.30
1/4	1792	1.25	4	460	60	4.71
1/2	1785	2.50	7	460	60	5.38
3/4	1778	3.75	11	460	60	6.30
FULL LOAD	1770	5.00	15	460	60	7.44
O/L	1718	12.1	37	460	60	15.8

BLOWER DATA	VOLTS	PH/HZ	FL AMPS	LR AMPS	FRAME	CFM

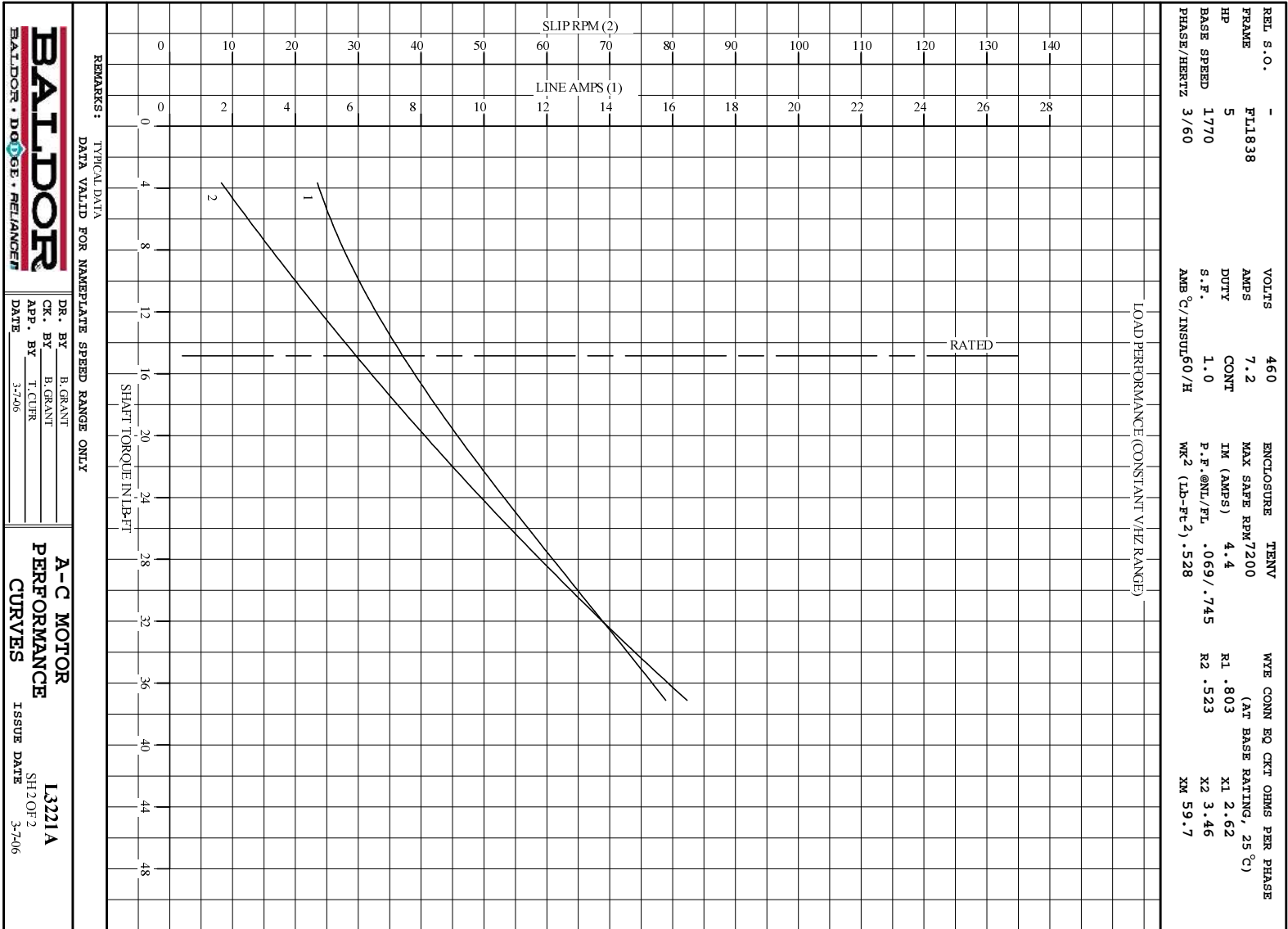
REMARKS: TYPICAL DATA

	DR. BY	B. GRANT	A-C MOTOR PERFORMANCE DATA
	CK. BY	T. CUER	
	APP. BY	3-7-06	
		L3221A ISSUE DATE 3-7-06	

Printed on 12/12/07 12:47 @ usmgshengden



1



DR. BY B. GRANT
 CK. BY B. GRANT
 APP. BY T. CURR
 DATE 3-7-06

A-C MOTOR PERFORMANCE CURVES
 L3221A
 SH20F2
 ISSUE DATE 3-7-06