

BALDOR® • *RELIANCE*

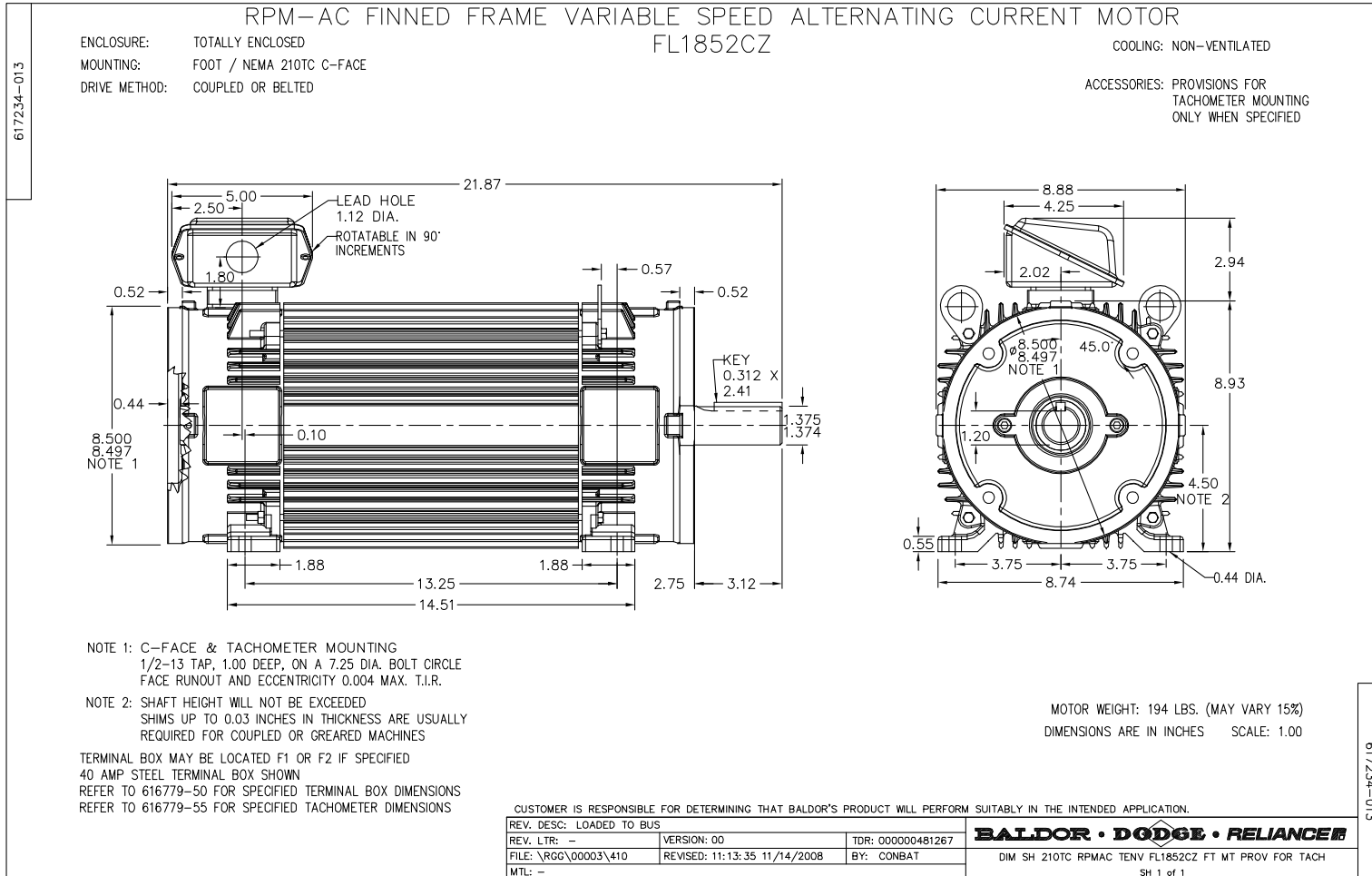
Product Information Packet

IDNRPM18074C

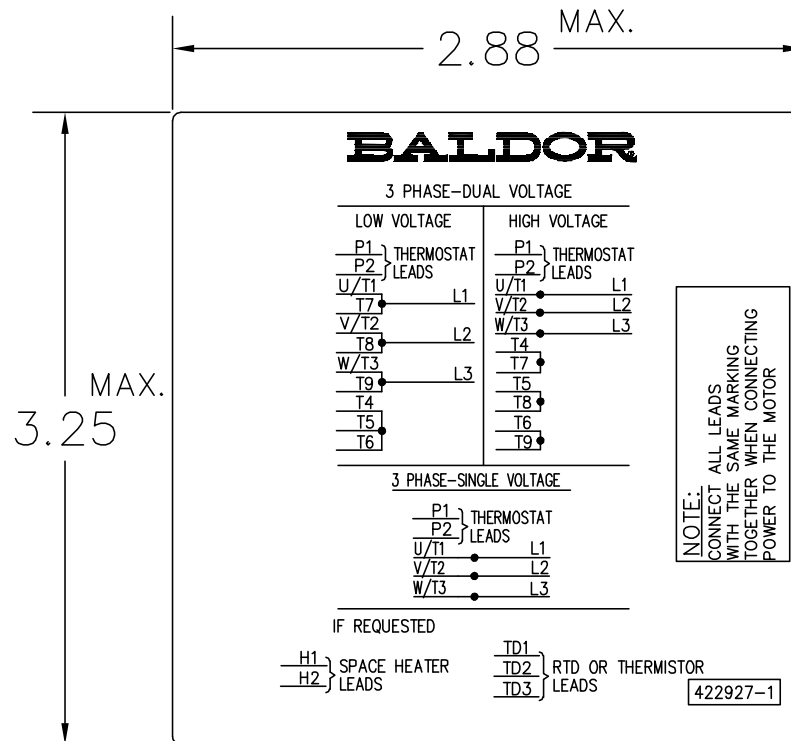
7.50HP, 1775RPM, 3PH, 60HZ, 1852C, TENV, FT/2

Copyright © All product information within this document is subject to Baldor Electric Company copyright © protection, unless otherwise noted.

Part Detail			
Model Number:	IDNRPM18074C	Environment:	General Purpose
Voltage:	230/460	HP:	7.5
RPM:	1775/3545	Efficiency:	NA
Phase:	3	Frequency:	N/A
Inverter Duty:	Y	Enclosure:	TENV
Frame Group:	180	Frame Size:	FL1852CZ
Features:	RPM AC	Mounting:	Foot Mounted
Service Factor:	1	Enclosure Group:	TENV
Weight:	0	Price Symbol:	E2
Speed Range:		Insulation Class:	H
Nema Design:		Encl. Enhancement:	
Catalog Page:	B-194	Dimension Sheet:	617234-13
Connection Diagram:	422927-1	Electric Design:	L3222A
Single HP:	7.5	Get Notes:	RPM AC
Revision:		Instruction Manual:	
Application:	Variable Speed-V*S	Epact:	Y
Scaled Drawing:		Obsolete:	N
Last Data Source:	RGG,MADD	Bearing Type:	
Electrical Type:		Mounting Pos.:	
Ambient:	40	Duty:	
Amps:		Nominal Eff.:	
Kva Code:		Power Factor:	
Poles:	00	Literature:	



422927-001



NOTE:
DATA TO BE SIZED SO THAT IT FITS INTO MATERIAL DECAL DIMENSIONS. MAKE LETTERS & NUMBERS AS LARGE AS POSSIBLE.

MATERIAL: CERAMATIC DGF-P4
PERMA GRIP ADHESIVE

ALL LETTERS, NUMBERS AND LINES TO BE BLACK ON GOLD BACKGROUND.

422927-1

422927-001

REV. DESC: CHANGE LOGO TO BALDOR		
REV. LTR: A	VERSION: 01	TDR: 000000556744
FILE: \RGG\00000\203	REVISED: 02:51:59 09/02/2010	
MTL: -	BY: RGGWT	

BALDOR

EXTERNAL CONNECTION LABEL
SH 1 of 1

REL. S.O.	-	VOLTS	460	ENCLOSURE	TENV	WYE CONN EQ CKT OHMS PER PHASE
FRAME	Fl1852	AMPS	11	MAX SAFE RPM	7200	(AT BASE RATING, 25 °C)
HP	7.5	DUTY	CONT	IM (AMPS)	6.5	R1 .425 X1 1.56
BASE SPEED	1775	S.F.	1.0	P.F.@NL/FL	.061/.742	R2 .324 X2 2.31
PHASE/HERTZ	3/60	AMB °C/INSUL	40/H	WK ² (LB-FT ²)	.8	XM 40.3

RATED FULL LOAD DATA

	RPM	HP	TORQUE LB-FT	FUND VOLTS	FREQ-HZ	AMPS
BASE SPEED	1774	7.51	22	460	60	10.9
MAX SPEED	3542	7.51	11	460	120	9.84
MIN SPEED	0	0	22	13.0	.878	10.9


LOAD PERFORMANCE AT BASE SPEED

	RPM	HP	TORQUE LB-FT	FUND VOLTS	FREQ-HZ	AMPS
NO LOAD	1800	0	0	460	60	6.38
1/4	1793	1.88	6	460	60	6.96
1/2	1787	3.75	11	460	60	7.92
3/4	1780	5.63	17	460	60	9.26
FULL LOAD	1774	7.51	22	460	60	10.9
O/L	1744	14.8	44	460	60	18.6

BLOWER DATA

VOLTS	PH/HZ	FL AMPS	LR AMPS	FRAME	CFM

REMARKS: TYPICAL DATA

	DR. BY	B. GRANT	A-C MOTOR PERFORMANCE DATA L3222A ISSUE DATE 3-7-06
	CK. BY	T. CUER	
BALDOR • DOUG • RELIANCE		DATE	3-7-06

