

BALDOR® • *RELIANCE*

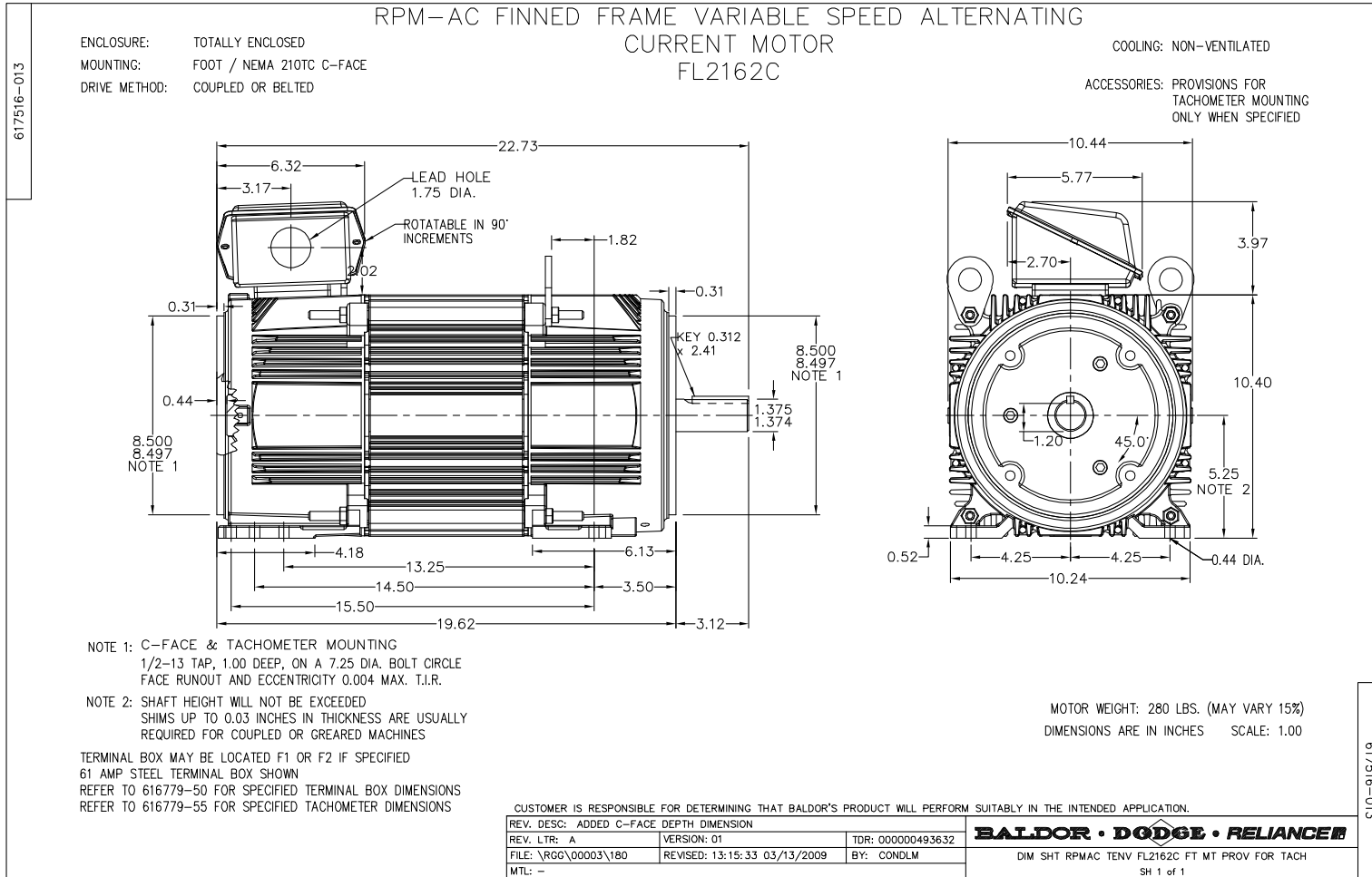
Product Information Packet

IDNRPM21104C

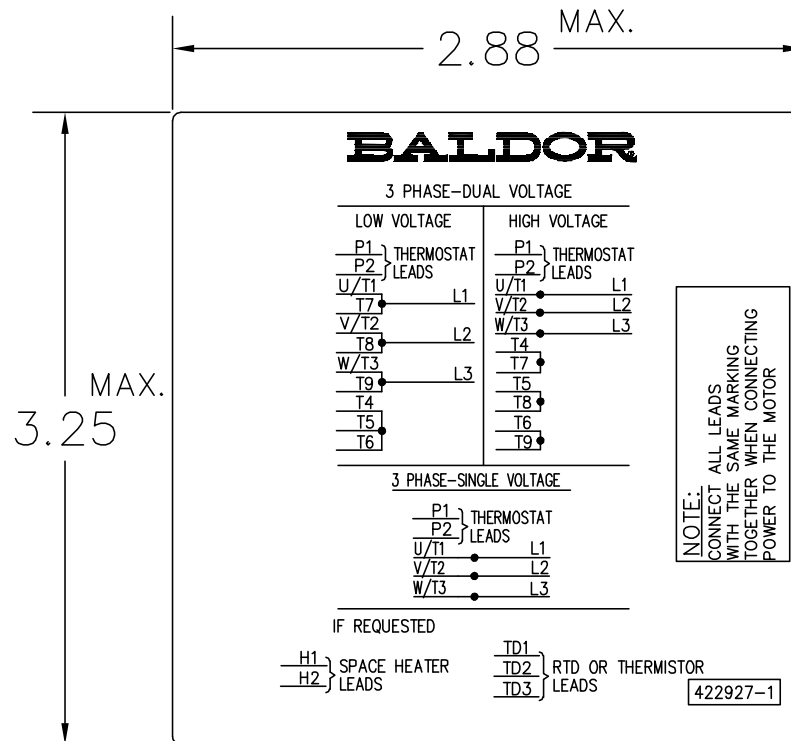
10HP, 1800RPM,3PH,60HZ,2162C,TENV,FT/210

Copyright © All product information within this document is subject to Baldor Electric Company copyright © protection, unless otherwise noted.

Part Detail			
Model Number:	IDNRP21104C	Environment:	General Purpose
Voltage:	230/460	HP:	10
RPM:	1780/3555	Efficiency:	NA
Phase:	3	Frequency:	N/A
Inverter Duty:	Y	Enclosure:	TENV
Frame Group:	210	Frame Size:	FL2162C
Features:	RPM AC	Mounting:	Foot Mounted
Service Factor:	1	Enclosure Group:	TENV
Weight:	0	Price Symbol:	E2
Speed Range:		Insulation Class:	H
Nema Design:		Encl. Enhancement:	
Catalog Page:	B-194	Dimension Sheet:	617516-13
Connection Diagram:	422927-1	Electric Design:	L3424B
Single HP:	10	Get Notes:	RPM AC
Revision:		Instruction Manual:	
Application:	Variable Speed-V*S	Epact:	
Scaled Drawing:		Obsolete:	N
Last Data Source:	RGG,MADD	Bearing Type:	
Electrical Type:		Mounting Pos.:	
Ambient:	40	Duty:	
Amps:		Nominal Eff.:	
Kva Code:		Power Factor:	
Poles:	00	Literature:	



422927-001



NOTE:
DATA TO BE SIZED
SO THAT IT FITS INTO
MATERIAL DECAL
DIMENSIONS. MAKE
LETTERS & NUMBERS
AS LARGE AS POSSIBLE.

MATERIAL: CERAMATIC DGF-P4
PERMA GRIP ADHESIVE

ALL LETTERS, NUMBERS
AND LINES TO BE BLACK
ON GOLD BACKGROUND.

NOTE:
CONNECT ALL LEADS
WITH THE SAME MARKING
TOGETHER WHEN CONNECTING
POWER TO THE MOTOR

422927-001

REV. DESC: CHANGE LOGO TO BALDOR		
REV. LTR: A	VERSION: 01	TDR: 000000556744
FILE: \RGG\00000\203	REVISED: 02:51:59 09/02/2010	
MTL: -	BY: RGGWT	

BALDOR
EXTERNAL CONNECTION LABEL
SH 1 of 1

REL. S.O. - VOLTS 230/460 ENCLOSURE TENV WYE CONN EQ CKT OHMS PER PHASE
 FRAME FL2162 AMPS 13.6 MAX SAFE RPM 5000 (AT BASE RATING, 25 °C)
 HP 10 DUTY CONT IM (AMPS) 7.5 R1 .305 X1 1.40
 BASE SPEED 1780 S.F. 1.0 P.F.@NL/FL .075/.770 R2 .199 X2 2.17
 PHASE/HERTZ 3/60 AMB °C/INSUL 40/H MK² (LB-FT²) 1.92 XM 34.9

RATED FULL LOAD DATA

	RPM	HP	TORQUE LB-FT	FUND VOLTS	FREQ-HZ	AMPS
BASE SPEED	1779	10.0	30	460	60	13.6
MAX SPEED	3554	10.0	15	460	120	12.4
MIN SPEED	0	0	30	11.8	.700	13.6

LOAD PERFORMANCE AT BASE SPEED

	RPM	HP	TORQUE LB-FT	FUND VOLTS	FREQ-HZ	AMPS
NO LOAD	1800	0	0	460	60	7.34
1/4	1795	2.50	7	460	60	8.09
1/2	1790	5.01	15	460	60	9.45
3/4	1785	7.50	22	460	60	11.3
FULL LOAD	1779	10.0	30	460	60	13.6
O/L	1755	19.7	59	460	60	24.0

BLOWER DATA

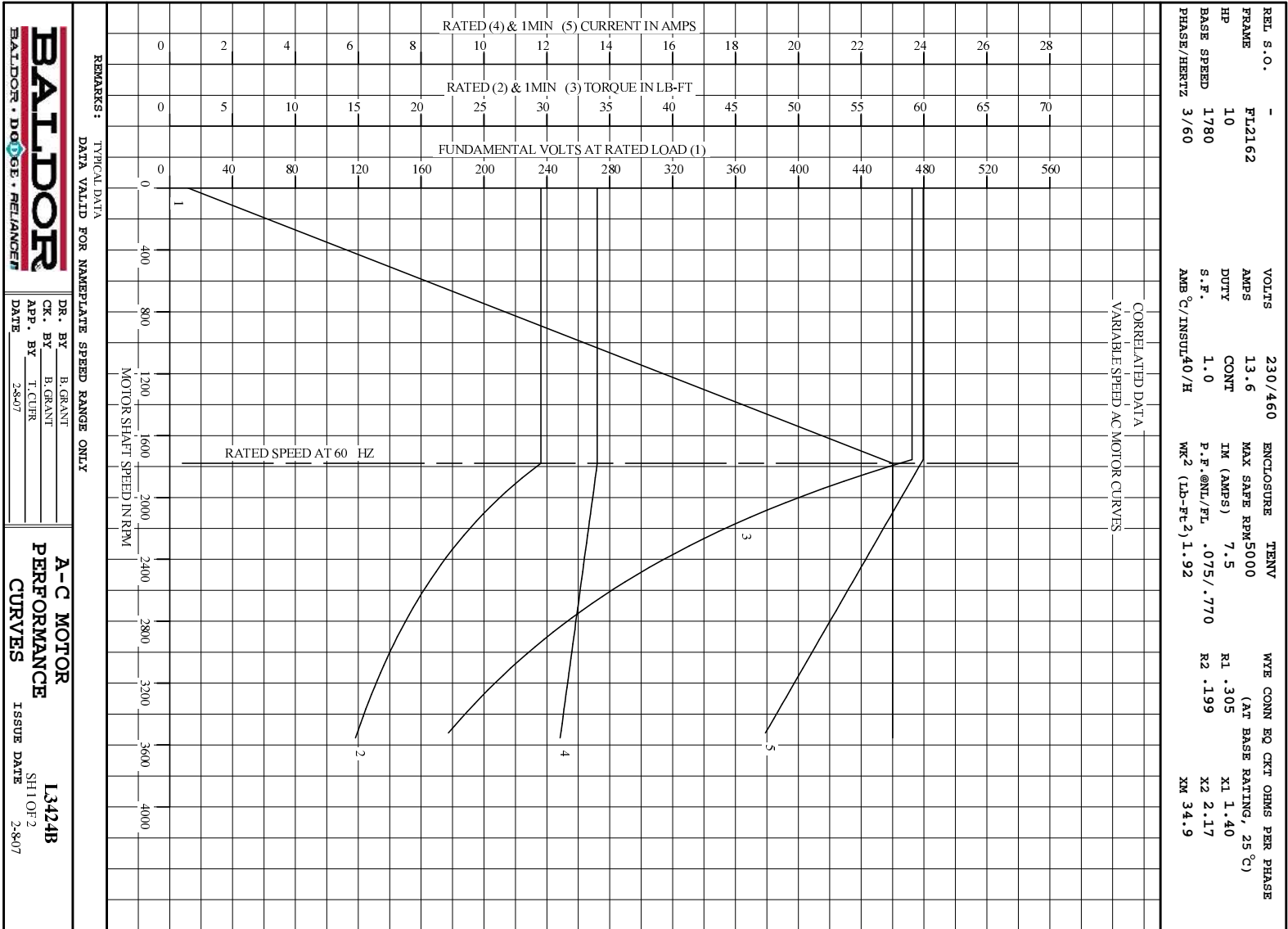
VOLTS	PH/HZ	FL AMPS	LR AMPS	FRAME	CFM

REMARKS: TYPICAL DATA
CORRELATED DATA

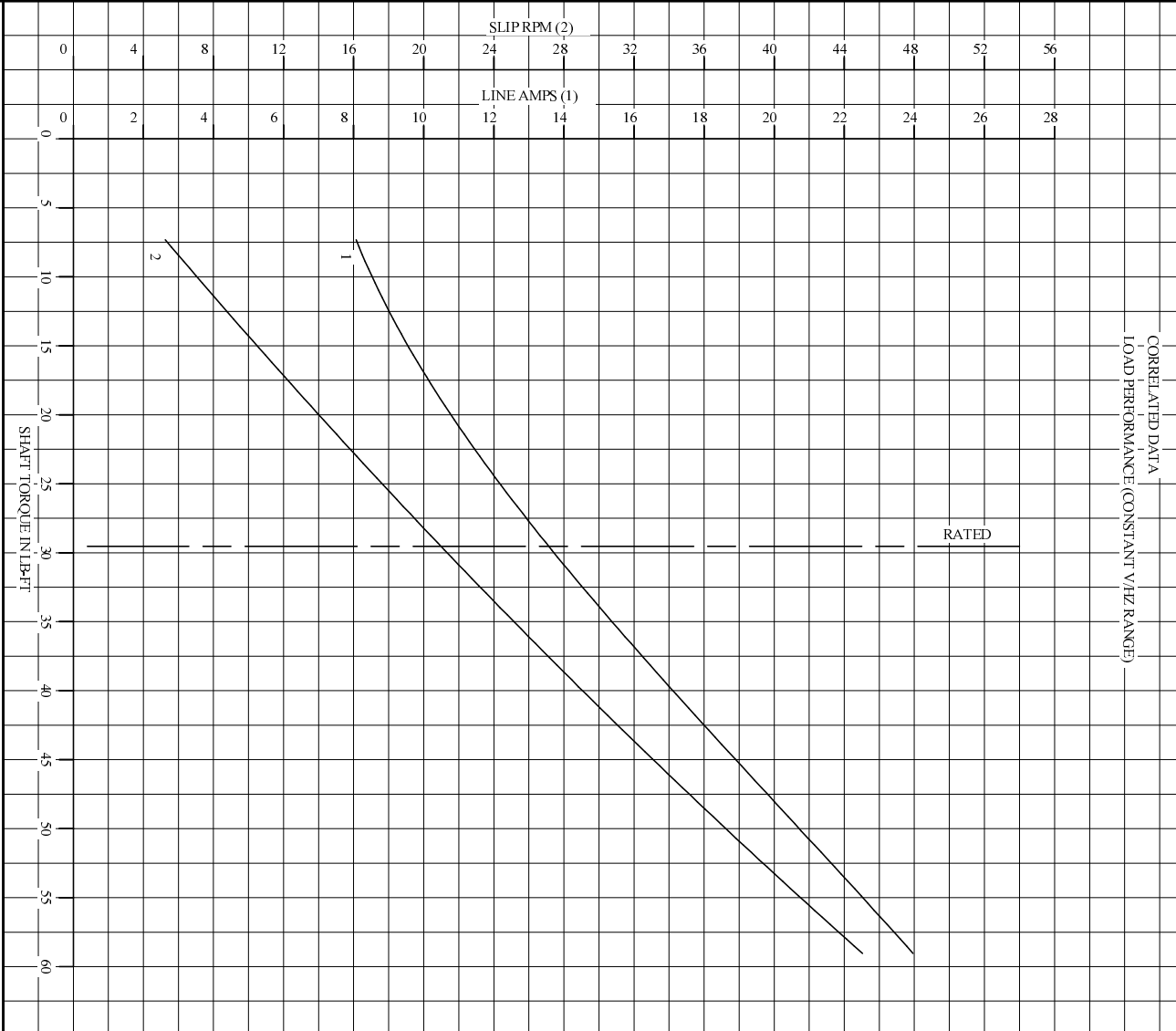


DR. BY B. GRANT
 CK. BY B. GRANT
 APP. BY T. CUER
 DATE 2-8-07

A-C MOTOR PERFORMANCE DATA
L3424B
 ISSUE DATE 2-8-07



REL S.O.	-	VOLTS	230/460	ENCLOSURE	TENV	WYE CONN	EQ CKT OHMS PER PHASE
FRAME	FL2162	AMPS	13.6	MAX SAFE RPM	5000	(AT BASE RATING, 25 °C)	
HP	10	DUTY	CONT	IM (AMPS)	7.5	R1	.305
BASE SPEED	1780	S.F.	1.0	P.F.@NL/FL	.075/.770	R2	.199
PHASE/HERTZ	3/60	AMB C/INSUL	40/H	WK ² (LB-FC ²)	1.92	X1	1.40
						X2	2.17
						XN	34.9



REMARKS: TYPICAL DATA
DATA VALID FOR NAMEPLATE SPEED RANGE ONLY

BALDOR • DOUG • RELIANCE

A-C MOTOR PERFORMANCE CURVES

DR. BY B. GRANT
CK. BY B. GRANT
APP. BY T. CURR
DATE 2-8-07

L3424B

SH20F2
ISSUE DATE 2-8-07