

BALDOR® • RELIANCE

Product Information Packet

IDVSM2333T

15HP, 1770RPM, 3PH, 60HZ, 254TC, TEFC, FOOT,

Copyright © All product information within this document is subject to Baldor Electric Company copyright © protection, unless otherwise noted.

Part Detail							
Revision:	D	Status:	PRD/A	Change #:		Proprietary:	No
Type:	AC	Prod. Type:	0942M	Elec. Spec:	09WGW980	CD Diagram:	
Enclosure:	TEFC	Mfg Plant:		Mech. Spec:	09K146	Layout:	
Frame:	254TC	Mounting:	F1	Poles:	04	Created Date:	02-17-2012
Base:	RG	Rotation:	R	Insulation:	F	Eff. Date:	07-31-2012
Leads:	9#12	Literature:		Elec. Diagram:		Replaced By:	

Nameplate NP1163L							
CAT NO	IDVSM2333T						
SPEC.	09K146W980G1						
FRAME	254TC	HP	15	TE			
VOLTS	230/460						
MAG CUR	13.9/6.95	FLA	36/18				
RPM	1765	RPM MAX	2700				
HZ	60	PH	3	CLASS	F		
SER.F.	1.00	DES	B	SL HZ	1.16		
NEMA-NOM-EFF	92.4	WK2	1.84				
BLWR V		PH		HZ		A	
RATING	40C AMB-CONT						
DE BRG	6309	ODE BRG	6208				
CC	010A	SN					
	1.5:1 C HP PWM						

Parts List		
Part Number	Description	Quantity
SA239398	SA 09K146W980G1	1.000 EA
RA226301	RA 09K146W980G1	1.000 EA
09CB3000SP	CONDUIT BOX CAST	1.000 EA
09GS1000SP	GASKET-CONDUIT BOX, 1/16 THICK LEXIDE	1.000 EA
10XN2520K12	1/4-20 X.75 GRD 5	2.000 EA
HW1001A25	LOCKWASHER 1/4, ZINC PLT .493 OD, .255 I	2.000 EA
WD1000B17	KPA-8C BURNDY TERMINAL	1.000 EA
11XW1032G06	10-32 X .38, TAPTITE II, HEX WSHR SLTD U	1.000 EA
09EP1100A14SP	ENDPLATE, MACH	1.000 EA
HW5100A08	W3118-035 WVY WSHR (WB)	1.000 EA
10XN2520K28	1/4-20 X 1.75" HX HD SCRWGRADE 5, ZINC P	2.000 EA
HW1001A25	LOCKWASHER 1/4, ZINC PLT .493 OD, .255 I	2.000 EA
10XN2520K36	1/4-20 X 2.25" HX HD SCRWGRADE 5, ZINC P	4.000 EA
HW1001A25	LOCKWASHER 1/4, ZINC PLT .493 OD, .255 I	4.000 EA
09EP1300A12	ENDPLATE, MACH	1.000 EA
HW1001A38	LOCKWASHER 3/8, ZINC PLT .688 OD, .382 I	4.000 EA
HW4600B44SP	V-RING SLINGER 1.500 X 2.290 X 0.280	1.000 EA
HA3113A02	THRUBOLT 3/8-16 X 16.750	4.000 EA
HW1001A38	LOCKWASHER 3/8, ZINC PLT .688 OD, .382 I	4.000 EA
XY3816A12	3/8-16 FINISHED NUT	4.000 EA
09FH1000A38	FAN HSG, W/1.75 BORE & ENCODER CVR MTG	1.000 EA
HA2081A05	SPACER TUBE, 309 FAN HSG, 2.00 LONG	4.000 EA
XY3816A12	3/8-16 FINISHED NUT	4.000 EA
HA6881	BEI HS35 THRU SHAFT ENCODER PROTECTIVE C	1.000 EA

Parts List (continued)		
Part Number	Description	Quantity
10XN1032K12	10-32 X .75 HD, GRADE 5	2.000 EA
HW1001A10	WASHER, #10 SPLT LK, ZN X	2.000 EA
HW1000A10	#10 FLAT WASHER (SAE)	2.000 EA
09CB3500SP	CONDUIT BOX LID, CAST	1.000 EA
09GS1001SP	GASKET-CONDUIT BOX LID, 1/16 THICK LEXID	1.000 EA
51XW2520A12	.25-20 X .75, TAPTITE II, HEX WSHR SLTD	2.000 EA
HW2501G25	KEY, 3/8 SQ X 2.875	1.000 EA
LB1115	LABEL,LIFTING DEVICE	1.000 EA
LB5040	INSTRUCTION TAG, AC & DC	1.000 EA
HW4500A05	1669B ALEM/UNIV860 GR FTG X	1.000 EA
HW4500A17	317400 ALEMITE GREASE RELIEF	1.000 EA
HA4001A01SP	DRAIN PLUG, PLASTIC (MICRO PLAS)	1.000 EA
HA4051A00	PLASTIC CAP FOR GREASE FITTING	1.000 EA
MJ1000A75	GREASE, POLYREX EM EXXON	0.080 LB
HW4500A03	GREASE FITTING, .125 NPT 1610(ALEMITE) 8	1.000 EA
HW4500A17	317400 ALEMITE GREASE RELIEF	1.000 EA
HA4001A01SP	DRAIN PLUG, PLASTIC (MICRO PLAS)	1.000 EA
HA4051A00	PLASTIC CAP FOR GREASE FITTING	1.000 EA
09FN3001D01SP	EXTERNAL FAN, PLASTIC	1.000 EA
HW2500A25	WOODRUFF KEY USA #1008 #BLOW CARBON STEE	1.000 EA
51XB1214A20	12-14X1.25 HXWSSLD SERTYB	1.000 EA
MG1000G27	PAINT- S9282E CHARCOAL GREY	0.050 GA
85XU0407A04	#4-7 X 1/4 DRIVE PIN	2.000 EA
LB1119	WARNING LABEL	1.000 EA

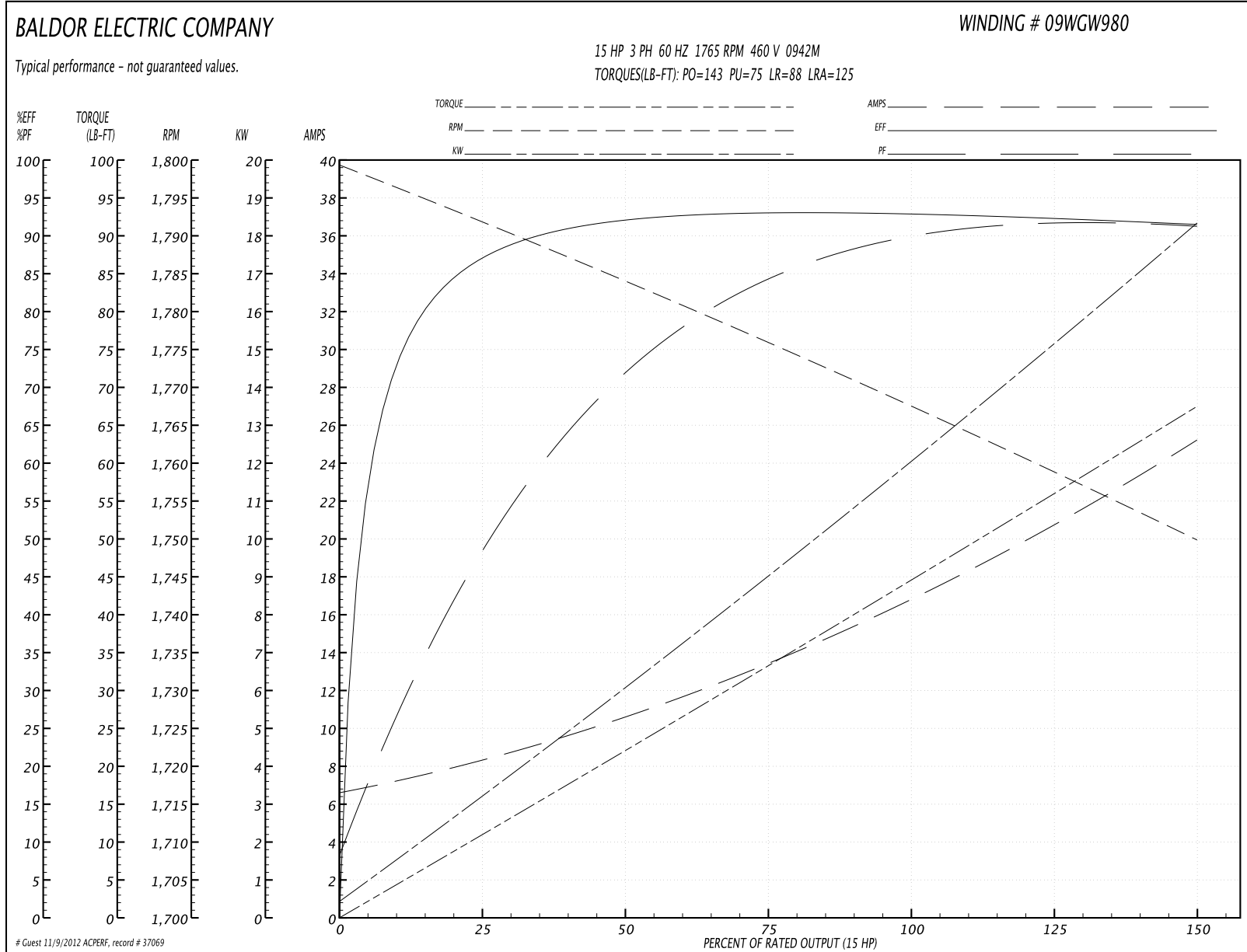
Parts List (continued)		
Part Number	Description	Quantity
LB1125C01	STD (STOCK) CARTON LABEL BALDOR WITH FLA	4.000 EA
LC0005	CONN.DIA.,TY M,9-LD,DUAL VOLT,REVERSING	1.000 EA
NP1163L	ALUM INV UL CSA CC	1.000 EA
40PA1005	PACKAGING GROUP, 09 STD	1.000 EA

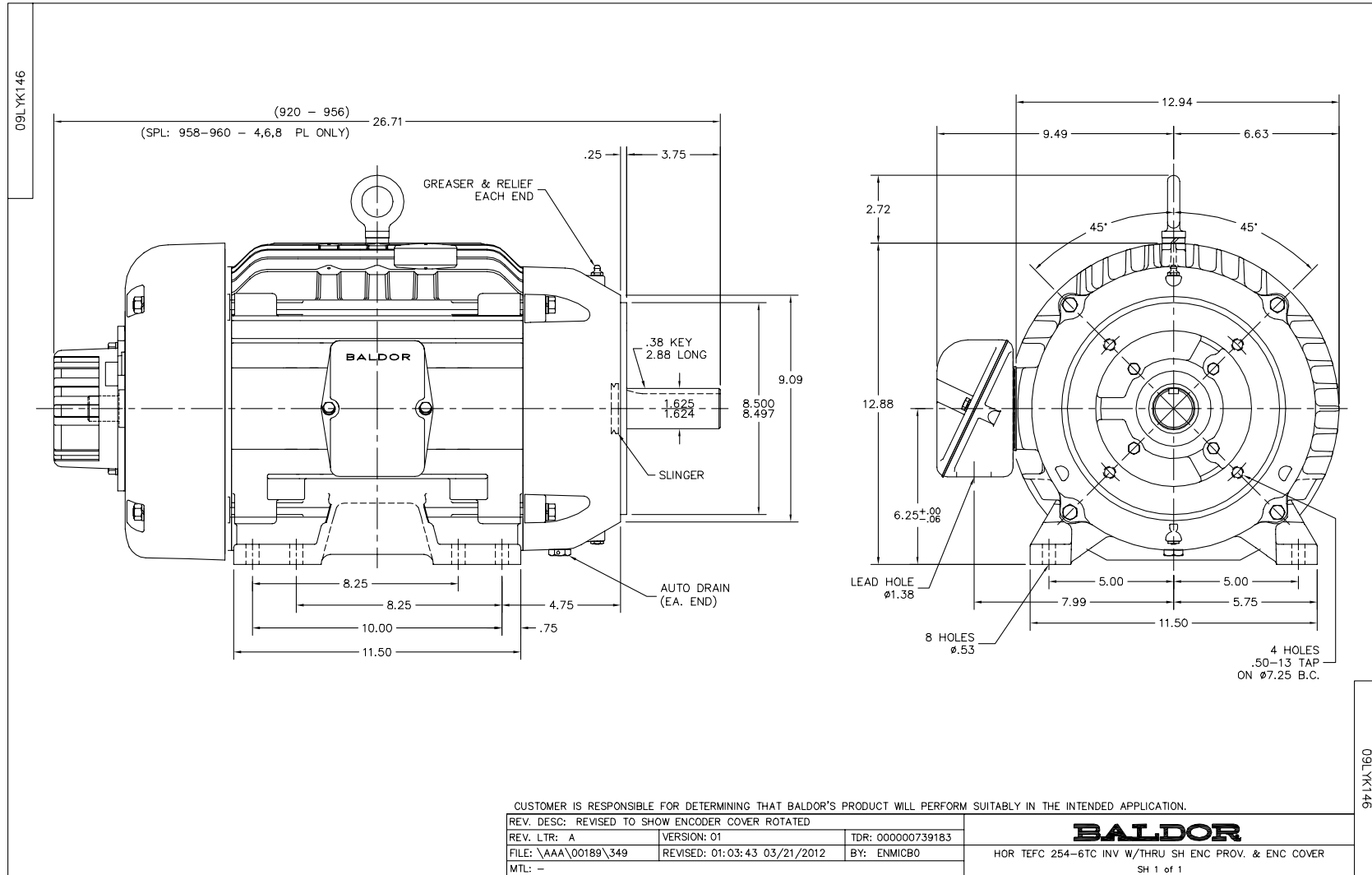
Performance Data at 460V, 60Hz, 15.0HP (Typical performance - Not guaranteed values)

General Characteristics			
Full Load Torque:	45.0 LB-FT	Start Configuration:	DOL
No-Load Current:	6.95 Amps	Break-Down Torque:	143.0 LB-FT
Line-line Res. @ 25°C.:	0.577 Ohms A Ph / 0.0 Ohms B Ph	Pull-Up Torque:	75.0 LB-FT
Temp. Rise @ Rated Load:	47 C	Locked-Rotor Torque:	88.0 LB-FT
Temp. Rise @ S.F. Load:		Starting Current:	125.0 Amps

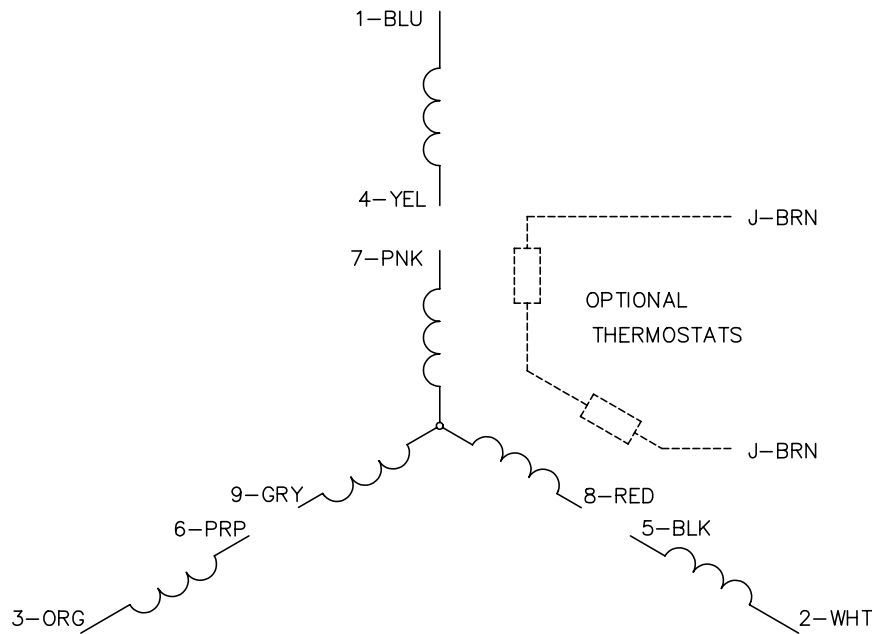
Load Characteristics							
% of Rated Load	25	50	75	100	125	150	S.F.
Power Factor:	49.0	71.0	81.0	86.0	88.0	89.0	0.0
Efficiency:	87.9	92.1	93.0	92.8	92.3	91.5	0.0
Speed:	1792.0	1784.0	1776.0	1766.0	1759.0	1750.0	0.0
Line Amperes:	7.9	10.5	13.7	17.2	21.0	25.0	0.0

Performance Graph at 460V, 60Hz, 15.0HP Typical performance - Not guaranteed values

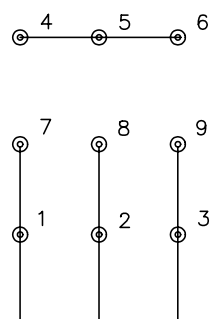




CD0005

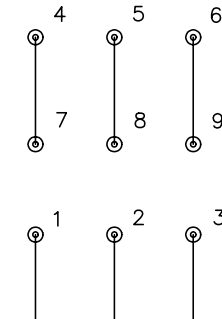


LOW VOLTAGE (2Y)



LINE

HIGH VOLTAGE (1Y)



LINE

NOTES:

1. INTERCHANGE ANY TWO LINE LEADS TO REVERSE ROTATION.
2. OPTIONAL THERMOSTATS ARE PROVIDED WHEN SPECIFIED.
3. ACTUAL NUMBER OF INTERNAL PARALLEL CIRCUITS MAY BE A MULTIPLE OF THOSE SHOWN ABOVE.
4. LEAD COLORS ARE OPTIONAL. LEADS MUST ALWAYS BE NUMBERED AS SHOWN.

REV. DESC: REVISE TO SHOW OPTIONAL COLORS			
REV. LTR: E	BY: JLP	REVISED: 01/19/99 10:15	TDR: 0171435
90000		FILE: AAA00005140	MDL: -
		MTL: -	

BALDOR ELECTRIC Co.

3PH, DV, 9 LEADS

CD0005