

BALDOR® • *RELIANCE*

Product Information Packet

IDVSM4103T

25HP,1800RPM,3PH,60HZ,284TC,TEFC,FOOT,

Copyright © All product information within this document is subject to Baldor Electric Company copyright © protection, unless otherwise noted.

Part Detail							
Revision:	B	Status:	PRD/A	Change #:		Proprietary:	No
Type:	AC	Prod. Type:	1056M	Elec. Spec:	10WGW940	CD Diagram:	
Enclosure:	TEFC	Mfg Plant:		Mech. Spec:	10H810	Layout:	
Frame:	284TC	Mounting:	F1	Poles:	04	Created Date:	02-17-2012
Base:	RG	Rotation:	R	Insulation:	F	Eff. Date:	07-31-2012
Leads:	9#10	Literature:		Elec. Diagram:		Replaced By:	
Nameplate NP1163L							
CAT NO	IDVSM4103T						
SPEC.	10H810W940G1						
FRAME	284TC	HP	25 TE				
VOLTS	230/460						
MAG CUR	24/12	FLA	60/30				
RPM	1775	RPM MAX	2700				
HZ	60	PH	3	CLASS	F		
SER.F.	1.00	DES	B	SL HZ	0.83		
NEMA-NOM-EFF	93.6	WK2	4.46				
BLWR V		PH		HZ		A	
RATING	40C AMB-CONT						
DE BRG	6311	ODE BRG	6309				
CC	010A	SN					
	1.5:1 C HP PWM						

Parts List		
Part Number	Description	Quantity
SA239434	SA 10H810W940G1	1.000 EA
RA226335	RA 10H810W940G1	1.000 EA
09FN3001B02	EXTERNAL FAN, PLASTIC	1.000 EA
10CB3000SP	STD KO BOX MODEL 310,312,314 MTRS W/2.00	1.000 EA
12GS1000SP	GASKET	1.000 EA
10XN3118K12	5/16-18 X .75 GRADE 5, ZINC PLATED	4.000 EA
HW1001A31	LOCKWASHER 5/16, ZINC PLT.591 OD, .319 I	4.000 EA
WD1000B16	KPA-4C BURNDY TERMINAL	1.000 EA
51XF2520A08	SCREW, HEX SER SLT HD, ZN 1/4-20 X .50 L	1.000 EA
10EP1104A01	FR ENDPLATE, MACH	1.000 EA
HA4017A11	1/8 X 2.75 GREASE EXT (F/S)	1.000 EA
10XN3816K28	3/8-16 X 1.75 HEX HD CAP SCREW, GRADE 5	4.000 EA
HW1001A38	LOCKWASHER 3/8, ZINC PLT .688 OD, .382 I	4.000 EA
HW5100A11	W3917-042 WVY WSHR (WB)	1.000 EA
10XN2520K32	1/4-20 X 2.00 HX HD SCRW GRADE 5, ZINC P	2.000 EA
HW1001A25	LOCKWASHER 1/4, ZINC PLT .493 OD, .255 I	2.000 EA
10EP1305A01	PU ENDPLATE, MACH	1.000 EA
HW4600B40	V-RING SLINGER 2.000 X 2.680 X 0.280	1.000 EA
10XN3816K28	3/8-16 X 1.75 HEX HD CAP SCREW, GRADE 5	4.000 EA
HW1001A38	LOCKWASHER 3/8, ZINC PLT .688 OD, .382 I	4.000 EA
10XN3118K40	5/16-18 X 2.50" HEX HD, GRADE 5	4.000 EA
HW1001A31	LOCKWASHER 5/16, ZINC PLT.591 OD, .319 I	4.000 EA
10FH1007A21	FAN COVER, MACH FOR DBL SHF MTRS	1.000 EA
10XN3118K20	5/16-18 X 1 1/4 GRADE 5 STEEL ZC PLATED	3.000 EA

Parts List (continued)		
Part Number	Description	Quantity
HW1001A31	LOCKWASHER 5/16, ZINC PLT.591 OD, .319 I	3.000 EA
HA6881	BEI HS35 THRU SHAFT ENCODER PROTECTIVE C	1.000 EA
10XN2520K12	1/4-20 X.75 GRD 5	2.000 EA
HW1000A25	1/4 SAE FLAT WASHER (FS)	2.000 EA
10CB3500SP	CONDUIT BOX LID, CAST	1.000 EA
10GS1000SP	GASKET, CONDUIT BOX LID	1.000 EA
51XW2520A12	SCREW, HEX SER SLT HD, ZN, 1/4-20 X .75	4.000 EA
HW2501H28	KEY, 1/2 SQ X 3.250	1.000 EA
LB1115	LABEL,LIFTING DEVICE	1.000 EA
LB5040	INSTRUCTION TAG, AC & DC	1.000 EA
HW4500A21	1618BALEMITE FITTING 825 UNIVERSAL	1.000 EA
HW4500A17	317400 ALEMITE GREASE RELIEF	1.000 EA
HA4001A01SP	DRAIN PLUG, PLASTIC (MICRO PLAS)	1.000 EA
HA4051A00	PLASTIC CAP FOR GREASE FITTING	1.000 EA
MJ1000A75	GREASE, POLYREX EM EXXON	0.130 LB
HW4500A03	GREASE FITTING, .125 NPT 1610(ALEMITE) 8	1.000 EA
HW4500A17	317400 ALEMITE GREASE RELIEF	1.000 EA
HA4001A01SP	DRAIN PLUG, PLASTIC (MICRO PLAS)	1.000 EA
HA4051A00	PLASTIC CAP FOR GREASE FITTING	1.000 EA
HW2500A25	WOODRUFF KEY USA #1008 #BLOW CARBON STEE	1.000 EA
51XB1214A20	12-14X1.25 HXWSSLD SERTYB	1.000 EA
MG1000G27	PAINT- S9282E CHARCOAL GREY	0.070 GA
85XU0407A04	#4-7 X 1/4 DRIVE PIN	2.000 EA
LB1119	WARNING LABEL	1.000 EA

Parts List (continued)		
Part Number	Description	Quantity
LB1125C01	STD (STOCK) CARTON LABEL BALDOR WITH FLA	2.000 EA
LC0181	CONNECTION LABEL	1.000 EA
NP1163L	ALUM INV UL CSA CC	1.000 EA
12PA1000	PACKAGING GROUP COMBINED PRINT PK1024A06	1.000 EA

Performance Data at 460V, 60Hz, 25.0HP (Typical performance - Not guaranteed values)

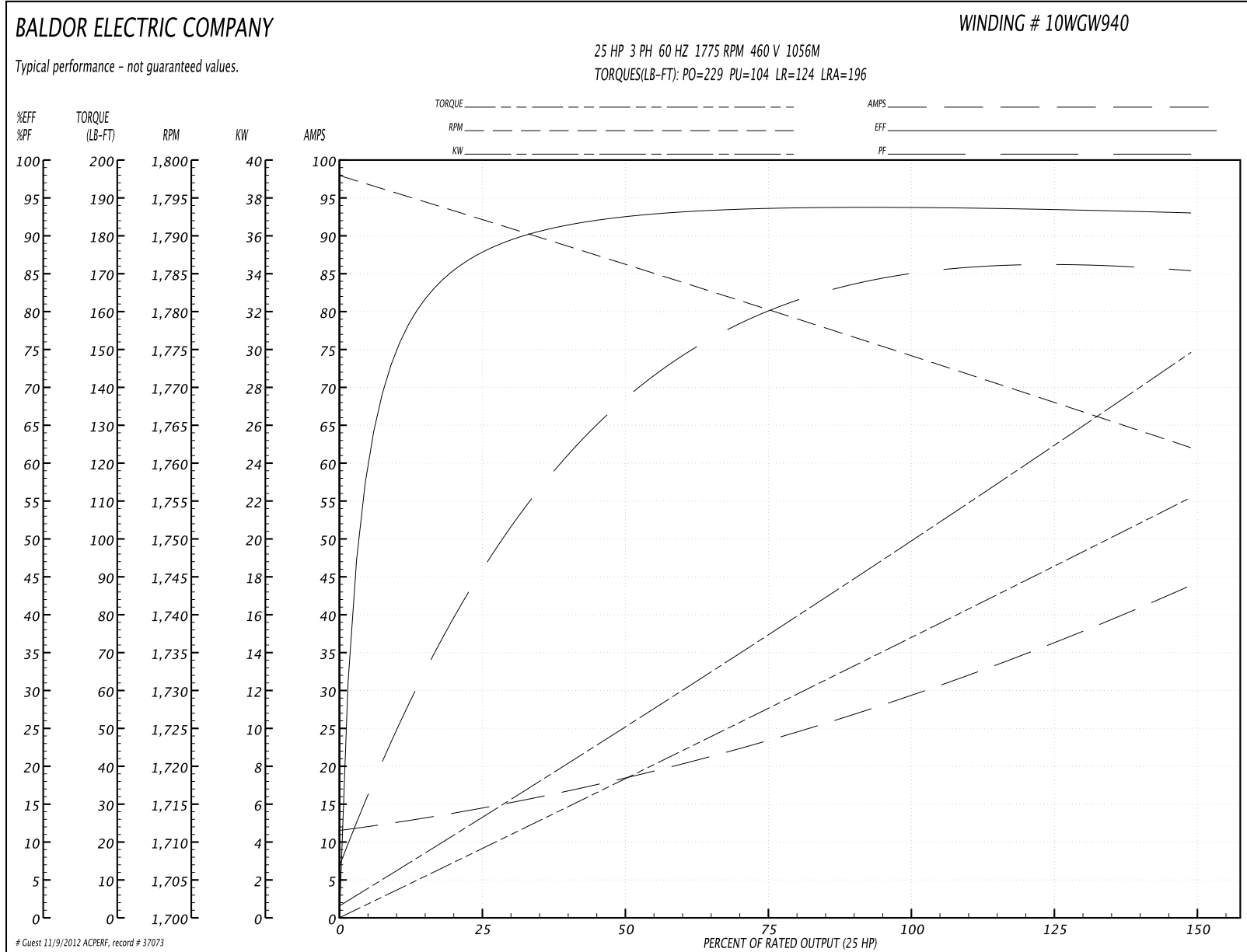
General Characteristics

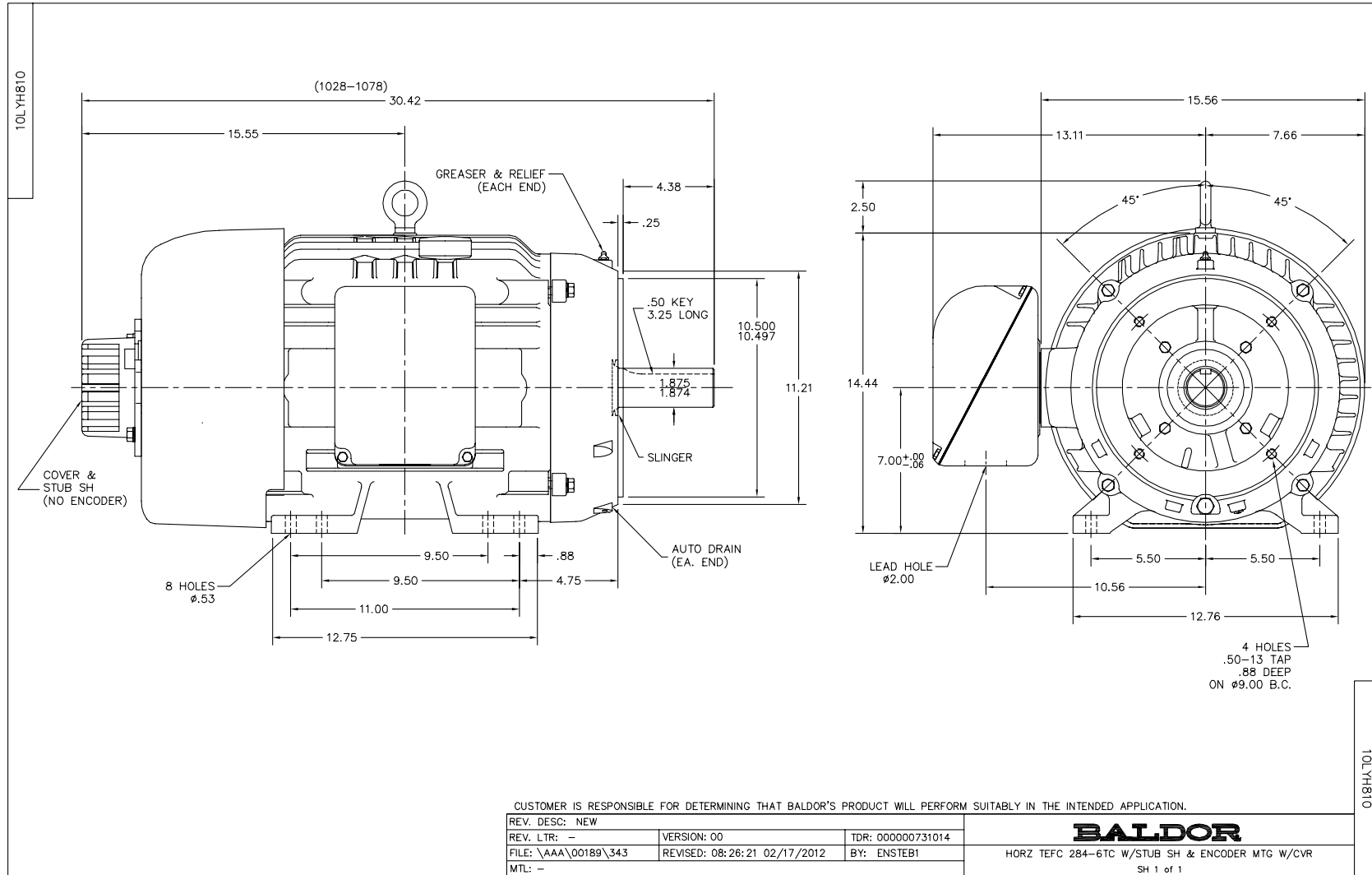
Full Load Torque:	73.9 LB-FT	Start Configuration:	DOL
No-Load Current:	12.0 Amps	Break-Down Torque:	229.0 LB-FT
Line-line Res. @ 25°C.:	0.25779 Ohms A Ph / 0.0 Ohms B Ph	Pull-Up Torque:	104.0 LB-FT
Temp. Rise @ Rated Load:	44 C	Locked-Rotor Torque:	124.0 LB-FT
Temp. Rise @ S.F. Load:		Starting Current:	196.0 Amps

Load Characteristics

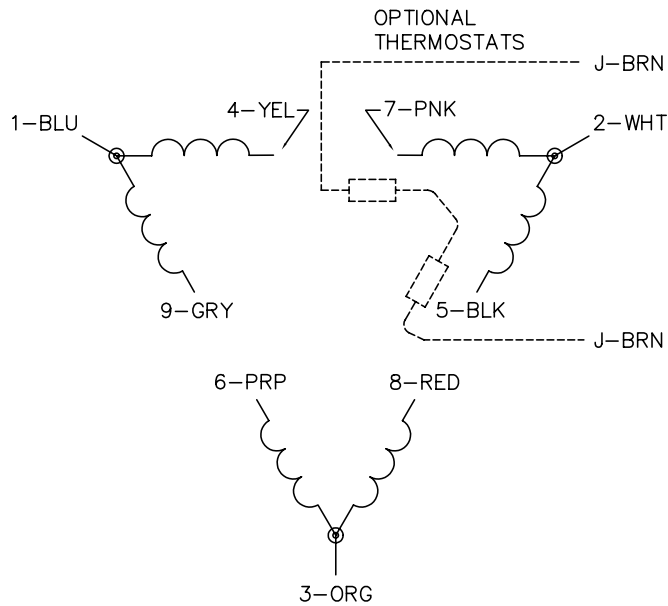
% of Rated Load	25	50	75	100	125	150	S.F.
Power Factor:	48.0	70.0	79.0	84.0	86.0	86.0	0.0
Efficiency:	87.6	92.3	93.6	93.8	93.6	93.1	0.0
Speed:	1790.9	1785.8	1780.7	1774.7	1768.6	1761.4	0.0
Line Amperes:	13.9	18.0	23.6	29.8	36.4	43.6	0.0

Performance Graph at 460V, 60Hz, 25.0HP Typical performance - Not guaranteed values

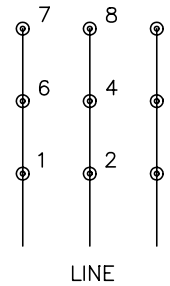




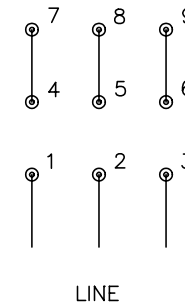
CD0180



LOW VOLTAGE
(2D)



HIGH VOLTAGE
(1D)



NOTES:

1. INTERCHANGE ANY TWO LINE LEADS TO REVERSE ROTATION.
2. OPTIONAL THERMOSTATS ARE PROVIDED WHEN SPECIFIED.
3. ACTUAL NUMBER OF INTERNAL PARALLEL CIRCUITS MAY BE A MULTIPLE OF THOSE SHOWN ABOVE.
4. LEAD COLORS ARE OPTIONAL. LEADS MUST ALWAYS BE NUMBERED AS SHOWN.

REV. DESC: REVISE TO SHOW OPTIONAL COLORS			
REV. LTR: C	BY: JLP	REVISED: 01/21/99 2:28	TDR: 0171435
0810D0		FILE: AAA00005148	MDL: -
		MTL: -	

BALDOR ELECTRIC Co.

3PH, DV, 9 LEADS, DELTA CONNECTION

CD0180