

BALDOR® • *RELIANCE*

Product Information Packet

IDVSM4115T

50HP, 1800RPM, 3PH, 60HZ, 326T, TEFC, FOOT,

Copyright © All product information within this document is subject to Baldor Electric Company copyright © protection, unless otherwise noted.

Part Detail							
Revision:	E	Status:	PRD/A	Change #:		Proprietary:	No
Type:	AC	Prod. Type:	1278M	Elec. Spec:	12WGY490	CD Diagram:	
Enclosure:	TEFC	Mfg Plant:		Mech. Spec:	12G345	Layout:	
Frame:	326T	Mounting:	F1	Poles:	04	Created Date:	09-28-2011
Base:	RG	Rotation:	R	Insulation:	F	Eff. Date:	09-17-2012
Leads:	9#6	Literature:		Elec. Diagram:		Replaced By:	
Nameplate NP1163L							
CAT NO	IDVSM4115T						
SPEC.	12G345Y490G1						
FRAME	326T	HP	50 TE				
VOLTS	230/460						
MAG CUR		FLA	120/60				
RPM	1775	RPM MAX	2700				
HZ	60	PH	3	CLASS	F		
SER.F.	1.00	DES	A	SL HZ	0.83		
NEMA-NOM-EFF	94.5	WK2	10.4				
BLWR V		PH		HZ		A	
RATING	40C AMB-CONT						
DE BRG	6312	ODE BRG	6311				
CC	010A	SN					
	1.5:1 C HP PWM						

Parts List		
Part Number	Description	Quantity
SA231547	SA 12G345Y490G1	1.000 EA
RA218562	RA 12G345Y490G1	1.000 EA
09FN3001C03	EXTERNAL FAN, PLASTIC	1.000 EA
10CB3001	CONDUIT BOX CAST W/2.500 LEAD HOLE	1.000 EA
12GS1000SP	GASKET	1.000 EA
10XN3118K12	5/16-18 X .75 GRADE 5, ZINC PLATED	4.000 EA
HW1001A31	LOCKWASHER 5/16, ZINC PLT.591 OD, .319 I	4.000 EA
WD1000B16	KPA-4C BURNDY TERMINAL	1.000 EA
51XF2520A08	SCREW, HEX SER SLT HD, ZN 1/4-20 X .50 L	1.000 EA
12EP1107A05	FR ENDPLATE, MACH 324-6T	1.000 EA
HA4017A01	1/8 X 4 GREASE EXT (F/S)	1.000 EA
HA3400A13SP	STUD, 1/2-13 X 7" WELKER	4.000 EA
HW1001A50	LOCKWASHER 1/2, ZINC PLT,.879 OD, .509 I	4.000 EA
HW5100A13	W4627-047 WVY WSHER	1.000 EA
10XN3118K36	5/16-18 X 2.25" HEX HD, GRADE 5	2.000 EA
HW1001A31	LOCKWASHER 5/16, ZINC PLT.591 OD, .319 I	2.000 EA
12EP1106A01	PU ENDPLATE, MACH 324-6T	1.000 EA
HW4600B41	V-RING SLINGER 2.125 X 2.880 X 0.280	1.000 EA
10XN5013K28	1/2-13 X 1.75 HEX HEAD MACH SCREW,GRAD	4.000 EA
HW1001A50	LOCKWASHER 1/2, ZINC PLT,.879 OD, .509 I	4.000 EA
10XN3118K40	5/16-18 X 2.50" HEX HD, GRADE 5	4.000 EA
HW1001A31	LOCKWASHER 5/16, ZINC PLT.591 OD, .319 I	4.000 EA
12FH1002A07	FAN COVER, MACH	1.000 EA
HW1001A50	LOCKWASHER 1/2, ZINC PLT,.879 OD, .509 I	4.000 EA

Parts List (continued)		
Part Number	Description	Quantity
XY5013A12	NUT, 1/2-13, HEX, STEEL, ZINCPLATED	4.000 EA
WD4100A85	HEYCO #2790 DOME PLUG, DP-2500, FOR 2.50	1.000 EA
10CB3500SP	CONDUIT BOX LID, CAST	1.000 EA
10GS1000SP	GASKET, CONDUIT BOX LID	1.000 EA
51XW2520A12	.25-20 X .75, TAPTITE II, HEX WSHR SLTD	4.000 EA
HW2501H33	KEY, 1/2 SQ X 3.875	1.000 EA
LB1115	LABEL, LIFTING DEVICE	1.000 EA
LB5040	INSTRUCTION TAG, AC & DC	1.000 EA
HW4500A21	1618BALEMITE FITTING 825 UNIVERSAL	1.000 EA
HW4500A17	317400 ALEMITE GREASE RELIEF	1.000 EA
HA4001A01SP	DRAIN PLUG, PLASTIC (MICRO PLAS)	1.000 EA
HA4051A00	PLASTIC CAP FOR GREASE FITTING	1.000 EA
MJ1000A75	GREASE, POLYREX EM EXXON	0.200 LB
HW4500A03	GREASE FITTING, .125 NPT 1610(ALEMITE) 8	1.000 EA
HW4500A17	317400 ALEMITE GREASE RELIEF	1.000 EA
HA4001A01SP	DRAIN PLUG, PLASTIC (MICRO PLAS)	1.000 EA
HA4051A00	PLASTIC CAP FOR GREASE FITTING	1.000 EA
HW2500A25	WOODRUFF KEY USA #1008 #BLOW CARBON STEE	1.000 EA
51XB1214A20	12-14X1.25 HXWSSLD SERTYB	1.000 EA
MG1000G27	PAINT- S9282E CHARCOAL GREY	0.080 GA
85XU0407A04	#4-7 X 1/4 DRIVE PIN	2.000 EA
LB1119	WARNING LABEL	1.000 EA
LB1125C01	STD (STOCK) CARTON LABEL BALDOR WITH FLA	4.000 EA
LC0181	CONNECTION LABEL	1.000 EA

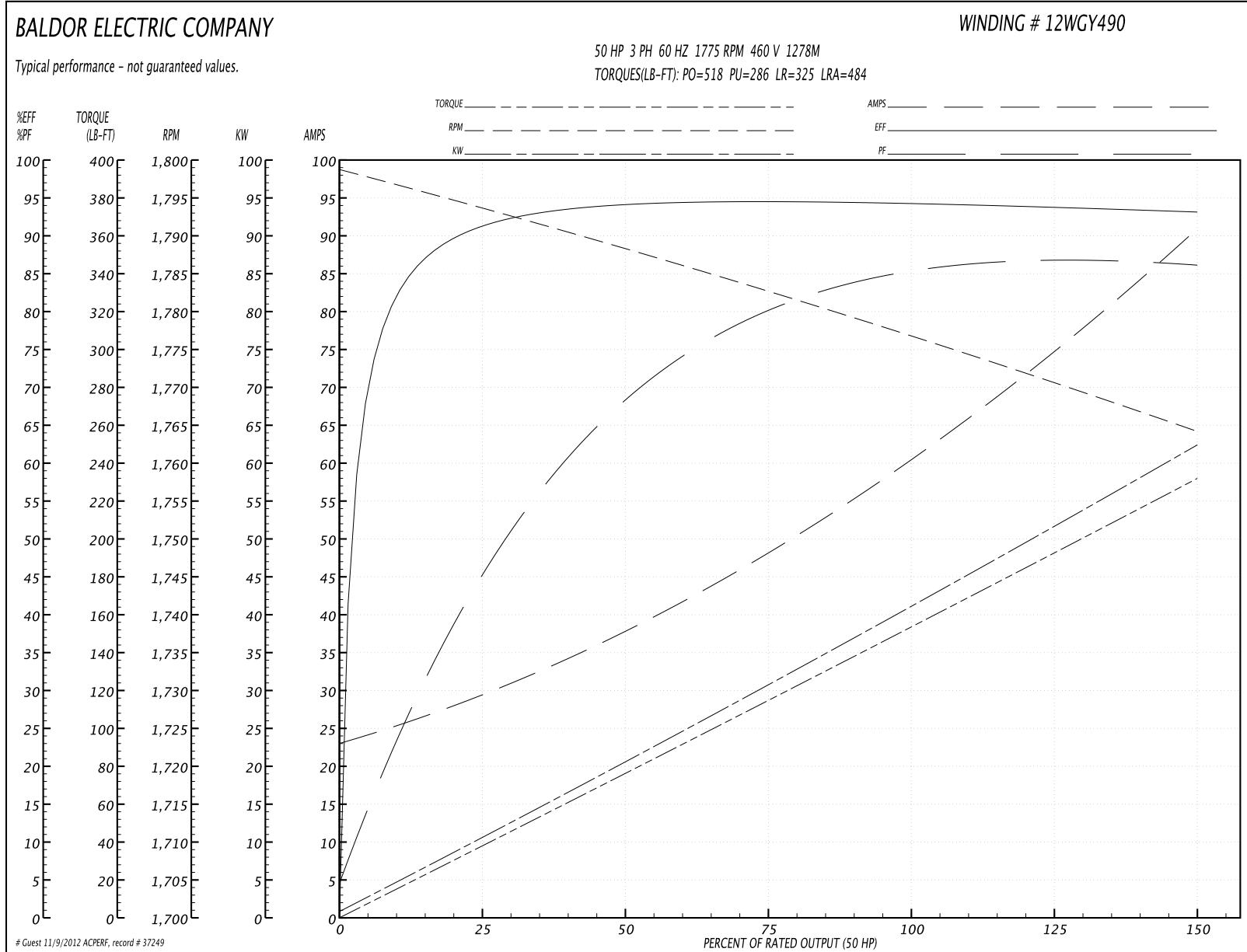
Parts List (continued)		
Part Number	Description	Quantity
NP1163L	ALUM INV UL CSA CC	1.000 EA
12PA1000	PACKAGING GROUP COMBINED PRINT PK1024A06	1.000 EA

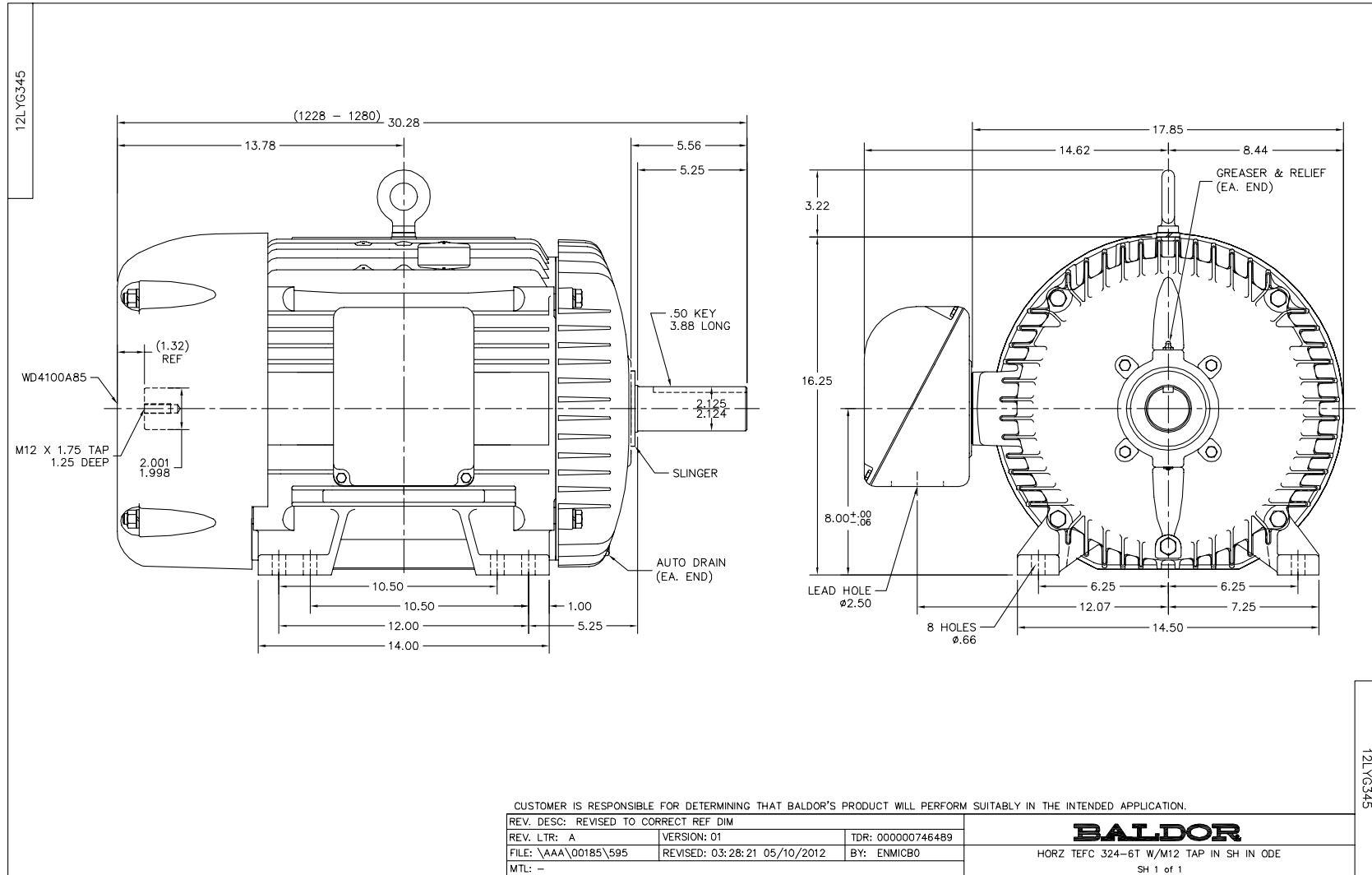
Performance Data at 460V, 60Hz, 50.0HP (Typical performance - Not guaranteed values)

General Characteristics			
Full Load Torque:	149.0 LB-FT	Start Configuration:	DOL
No-Load Current:	24.2 Amps	Break-Down Torque:	518.0 LB-FT
Line-line Res. @ 25°C.:	0.094509 Ohms A Ph / 0.0 Ohms B Ph	Pull-Up Torque:	286.0 LB-FT
Temp. Rise @ Rated Load:	59 C	Locked-Rotor Torque:	325.0 LB-FT
Temp. Rise @ S.F. Load:		Starting Current:	484.0 Amps

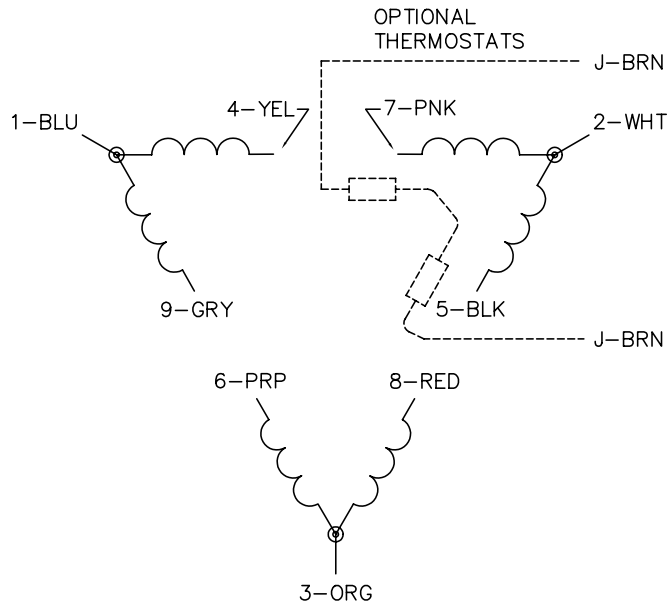
Load Characteristics							
% of Rated Load	25	50	75	100	125	150	S.F.
Power Factor:	47.0	69.0	79.0	84.0	86.0	87.0	0.0
Efficiency:	91.3	94.2	94.7	94.5	94.0	93.2	0.0
Speed:	1793.5	1788.6	1783.1	1777.5	1772.0	1764.0	0.0
Line Amperes:	27.9	36.5	47.5	59.7	72.9	90.2	0.0

Performance Graph at 460V, 60Hz, 50.0HP Typical performance - Not guaranteed values

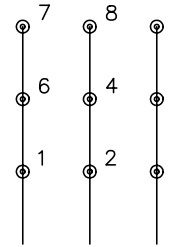




CD0180

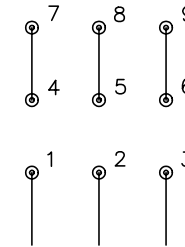


LOW VOLTAGE
(2D)



LINE

HIGH VOLTAGE
(1D)



LINE

NOTES:

1. INTERCHANGE ANY TWO LINE LEADS TO REVERSE ROTATION.
2. OPTIONAL THERMOSTATS ARE PROVIDED WHEN SPECIFIED.
3. ACTUAL NUMBER OF INTERNAL PARALLEL CIRCUITS MAY BE A MULTIPLE OF THOSE SHOWN ABOVE.
4. LEAD COLORS ARE OPTIONAL. LEADS MUST ALWAYS BE NUMBERED AS SHOWN.

REV. DESC: REVISE TO SHOW OPTIONAL COLORS			
REV. LTR: C	BY: JLP	REVISED: 01/21/99 2:28	TDR: 0171435
0810D0		FILE: AAA00005148	MDL: -
		MTL: -	

BALDOR ELECTRIC Co.

3PH, DV, 9 LEADS, DELTA CONNECTION

CD0180