

BALDOR® • **RELIANCE**

Product Information Packet

IDVSNM2237T

7.5HP,1760RPM,3PH,60HZ,215TC,0750M,TENV

Copyright © All product information within this document is subject to Baldor Electric Company copyright © protection, unless otherwise noted.

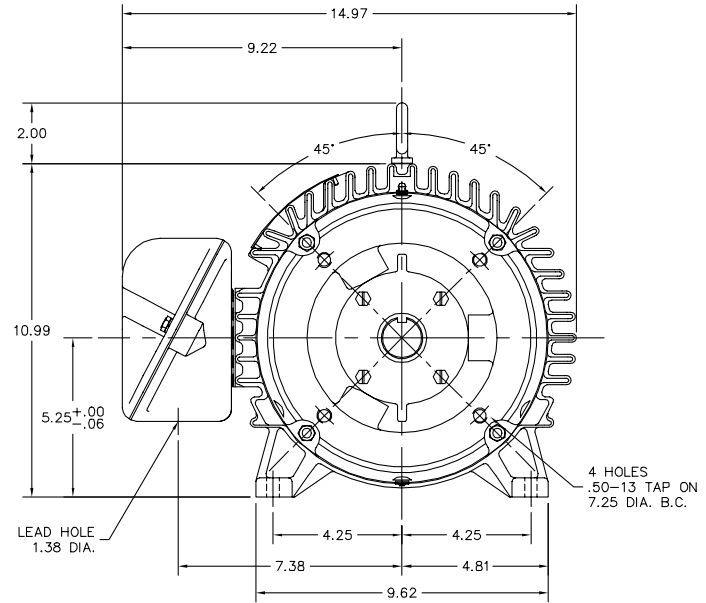
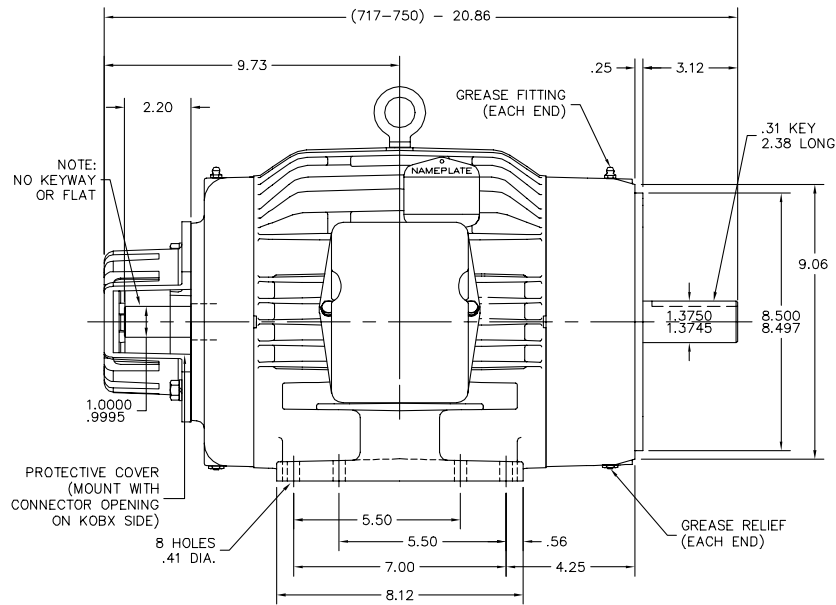
Part Detail							
Revision:	A	Status:	PRD/A	Change #:		Proprietary:	No
Type:	AC	Prod. Type:	0750M	Elec. Spec:	07WGW747	CD Diagram:	
Enclosure:	TENV	Mfg Plant:		Mech. Spec:	07M290	Layout:	
Frame:	215TC	Mounting:	F1	Poles:	04	Created Date:	09-05-2012
Base:	RG	Rotation:	R	Insulation:	F	Eff. Date:	10-05-2012
Leads:	9#14	Literature:		Elec. Diagram:		Replaced By:	

Nameplate NP1162L							
CAT NO	IDVSNM2237T						
SPEC.	07M290W747G1						
FRAME	215TC	HP	7.5	TE			
VOLTS	230/460						
MAG CUR	11/5.5	FLA	20.2/10.1				
RPM	1760	RPM MAX	6000				
HZ	60	PH	3	CLASS	F		
SER.F.	1.00	DES	A	SL HZ	1		
NEMA-NOM-EFF	91.7	WK2	1.23				
BLWR V		PH		HZ		A	
RATING	40C AMB-CONT						
DE BRG	6307	ODE BRG	6206				
CC		SN					
	1.5:1 CHP PWM						

Parts List		
Part Number	Description	Quantity
SA251052	SA 07M290W747G1	1.000 EA
RA237897	RA 07M290W747G1	1.000 EA
HW3201A05	3/8-16 EYEBOLT	1.000 EA
09CB3002SP	CB W/1.38 LEAD HOLE FOR 37, 39, 307 & 30	1.000 EA
09GS1000SP	GASKET-CONDUIT BOX, 1/16 THICK LEXIDE	1.000 EA
51XW2520A12	.25-20 X .75, TAPTITE II, HEX WSHR SLTD	2.000 EA
WD1000B17	KPA-8C BURNDY TERMINAL	1.000 EA
11XW1032G06	10-32 X .38, TAPTITE II, HEX WSHR SLTD U	1.000 EA
HW3001B01	003SS CUP WASHER, FOR #8 SCREW	1.000 EA
37EP1104A71	FRONT TENV 206 BRG 37M W/GRSR, REL & #18	1.000 EA
HW4500A01	1641B(ALEMITE)400 UNIV, GREASE FITT	1.000 EA
HW4500A17	317400 ALEMITE GREASE RELIEF	1.000 EA
HW5100A06	W2420-025 WVY WSHR (WB)	1.000 EA
37EP1300A10	FACE MTD EP,307BRG,213-5TC,GRSR,RELIEF &	1.000 EA
HW4500A01	1641B(ALEMITE)400 UNIV, GREASE FITT	1.000 EA
HW4500A17	317400 ALEMITE GREASE RELIEF	1.000 EA
10XN2520A30	HEX HD CAP SCREW-STD THD-.25 X 20 THD PE	4.000 EA
HW1001A25	LOCKWASHER 1/4, ZINC PLT .493 OD, .255 I	4.000 EA
XY3118A12	5/16-18 HEX NUT DIRECTIONAL SERRATION	4.000 EA
HA6881	BEI HS35 THRU SHAFT ENCODER PROTECTIVE C	1.000 EA
10XN3816A10	3/8-16 X 5/8 HEX HD CAP SCREW	3.000 EA
09CB3501SP	CONDUIT BOX LID FOR 09CB3001 & 09CB3002	1.000 EA
09GS1013SP	09 GS FOR 09CB3501 LID - LEXIDE	1.000 EA
51XW2520A12	.25-20 X .75, TAPTITE II, HEX WSHR SLTD	2.000 EA

Parts List (continued)		
Part Number	Description	Quantity
HW2501F21	KEY, 5/16 SQ X 2.375	1.000 EA
HA7000A02	KEY RETAINER RING, 1 1/8 DIA, 1 3/8 DIA	1.000 EA
85XU0407S04	4X1/4 U DRIVE PIN STAINLESS	2.000 EA
LB1115	LABEL,LIFTING DEVICE	1.000 EA
MJ1000A75	GREASE, POLYREX EM EXXON	0.050 LB
HA3104A32	THRUBOLT- 5/16-18 X12.750	4.000 EA
MG1000N49	PAINT, 678.50 WILKO, REL GRN (55 GA)	0.036 GA
LB1119	WARNING LABEL	1.000 EA
LB1125C01	STD (STOCK) CARTON LABEL BALDOR WITH FLA	1.000 EA
LC0145B01	CONNECTION LABEL	1.000 EA
NP1162L	SS INV UL CSA CC	1.000 EA
07PA1011	PKG GRP, 07 CAST IRON PK1181	1.000 EA

07LYM290



CUSTOMER IS RESPONSIBLE FOR DETERMINING THAT BALDOR'S PRODUCT WILL PERFORM SUITABLY IN THE INTENDED APPLICATION.

REV. DESC: CHANGED NOTE FOR ENCODER COVER		
REV. LTR: A	VERSION: 01	TDR: 000000767560
FILE: \AAA\00193\754	REVISED: 11:34:12 10/04/2012	BY: ENBRAMO
MTL: -		

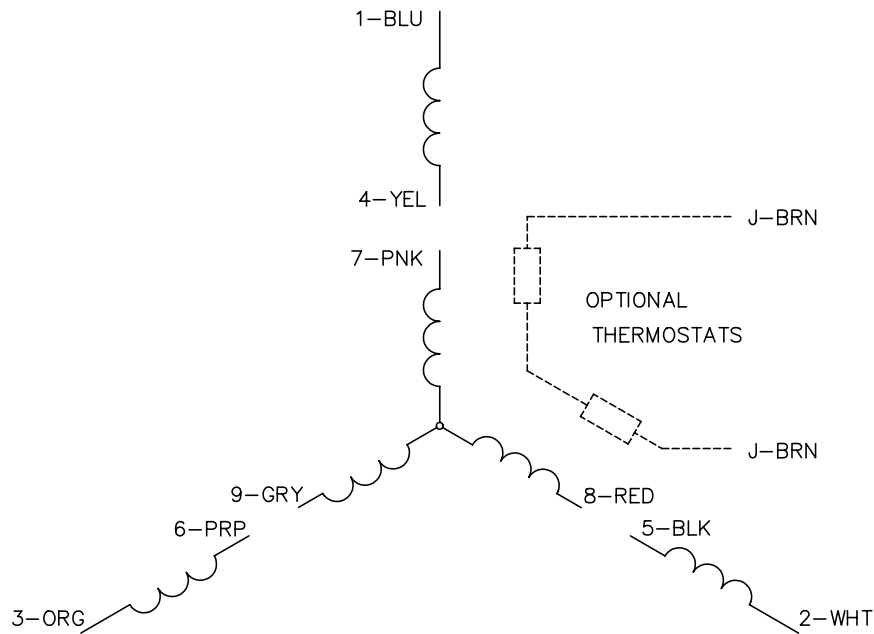
BALDOR

STD HORZ 213-5TC TENV V* S MASTER INVERTER

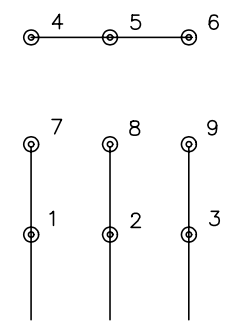
SH 1 of 1

07LYM290

CD0005

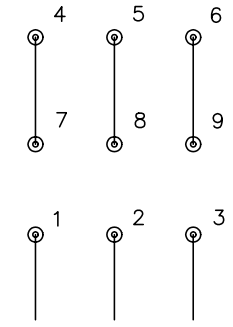


LOW VOLTAGE
(2Y)



LINE

HIGH VOLTAGE
(1Y)



LINE

NOTES:

1. INTERCHANGE ANY TWO LINE LEADS TO REVERSE ROTATION.
2. OPTIONAL THERMOSTATS ARE PROVIDED WHEN SPECIFIED.
3. ACTUAL NUMBER OF INTERNAL PARALLEL CIRCUITS MAY BE A MULTIPLE OF THOSE SHOWN ABOVE.
4. LEAD COLORS ARE OPTIONAL. LEADS MUST ALWAYS BE NUMBERED AS SHOWN.

REV. DESC: REVISE TO SHOW OPTIONAL COLORS			
REV. LTR: E	BY: JLP	REVISED: 01/19/99 10:15	TDR: 0171435
90000		FILE: AAA00005140	MDL: -
		MTL: -	

BALDOR ELECTRIC Co.

3PH, DV, 9 LEADS

CD0005