

# **BALDOR**® • ***RELIANCE***

## **Product Information Packet**

# **IDVSNM3584T-5**

**1.5HP, 1750RPM, 3PH, 60HZ, 145TC, 0532M, TENV**

Copyright © All product information within this document is subject to Baldor Electric Company copyright © protection, unless otherwise noted.

Part Detail							
Revision:	G	Status:	PRD/A	Change #:		Proprietary:	No
Type:	AC	Prod. Type:	0532M	Elec. Spec:	05WGX041	CD Diagram:	
Enclosure:	TENV	Mfg Plant:		Mech. Spec:	05E534	Layout:	
Frame:	145TC	Mounting:	F1	Poles:	04	Created Date:	04-04-2008
Base:	RG	Rotation:	R	Insulation:	H	Eff. Date:	09-18-2012
Leads:	3#18	Literature:		Elec. Diagram:		Replaced By:	

Nameplate NP1163L							
CAT NO	IDVSNM3584T-5						
SPEC.	05E534X041G1						
FRAME	145TC	HP	1.5 TE				
VOLTS	575						
MAG CUR	.9	FLA	1.7				
RPM	1750	RPM MAX	5000				
HZ	60	PH	3	CLASS	H		
SER.F.	1.00	DES	B	SL HZ	1.7		
NEMA-NOM-EFF	86.5	WK2	0.19				
BLWR V		PH		HZ		A	
RATING	40C AMB-CONT						
DE BRG	6205	ODE BRG	6203				
CC		SN					

Parts List		
Part Number	Description	Quantity
SA170173	SA 05E534X041G1	1.000 EA
RA158424	RA 05E534X041G1	1.000 EA
06CB3000	CONDUIT BOX CAST	1.000 EA
06GS1000	GASKET, CONDUIT BOX	1.000 EA
51XW2520A12	.25-20 X .75, TAPTITE II, HEX WSHR SLTD	2.000 EA
11XW1032G06	10-32 X .38, TAPTITE II, HEX WSHR SLTD U	1.000 EA
HW3001B01	003SS CUP WASHER, FOR #8 SCREW	1.000 EA
35EP1100B45	FRONT TENV 203 BRG W/GRSR & THRU-SHAFT E	1.000 EA
HW4500A01	1641B(ALEMITE)400 UNIV, GREASE FITT	1.000 EA
HW5100A03SP	WAVY WASHER (W1543-017)	1.000 EA
35EP1329A01	PU EP ENCL 143-5TC 205 BRG W/GRSR & STD	1.000 EA
HW4500A01	1641B(ALEMITE)400 UNIV, GREASE FITT	1.000 EA
51XN1032A20	10-32 X 1 1/4 HX WS SL SR	2.000 EA
HA3100A28	THRUBOLT 10-32 X 8.187	4.000 EA
35FH4801G	THRU-SHAFT ENCODER COVER INV/VECTOR F1 &	1.000 EA
WD4129	1.50 X 1.50 GRAY SNAP IN PLUG PROMOULD #	2.000 EA
10XN2520A08	1/4-20X1/2 HEX HEAD CAP	4.000 EA
10XN2520A08	1/4-20X1/2 HEX HEAD CAP	1.000 EA
06CB3500	CONDUIT BOX LID - ALUMINUM DIE CAST	1.000 EA
06GS1001	GASKET, CONDUIT BOX LID	1.000 EA
51XW2520A12	.25-20 X .75, TAPTITE II, HEX WSHR SLTD	2.000 EA
HW2501D13SP	KEY, 3/16 SQ X 1.375	1.000 EA
HA7000A01	KEY RETAINER 7/8" DIA SHAFT	1.000 EA
MJ5004A05	#242-21 LOCTITE GENERAL PURPOSE MED. STR	0.005 EA

Parts List (continued)		
Part Number	Description	Quantity
85XU0407S04	4X1/4 U DRIVE PIN STAINLESS	2.000 EA
MJ1000A75	GREASE, POLYREX EM EXXON	0.050 LB
MG1000N49	PAINT, 678.50 WILKO, REL GRN (55 GA)	0.022 GA
LB1119	WARNING LABEL	1.000 EA
LB1125C01	STD (STOCK) CARTON LABEL BALDOR WITH FLA	1.000 EA
LC0006	CONNECTION LABEL	1.000 EA
NP1163L	ALUM INV UL CSA CC	1.000 EA
36PA1001	PACKAGING GROUP	1.000 EA

**Performance Data at 575V, 60Hz, 1.5HP (Typical performance - Not guaranteed values)**

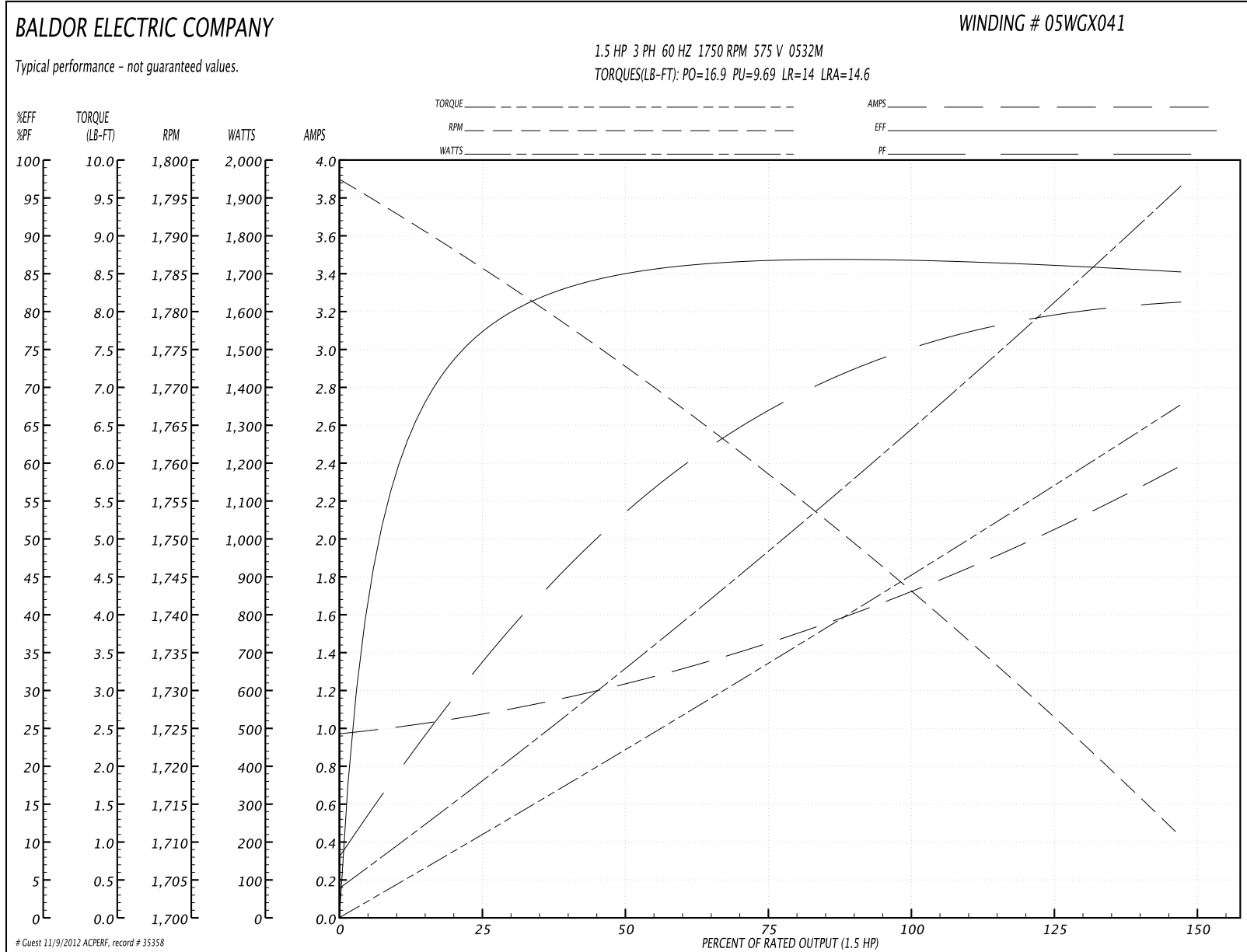
**General Characteristics**

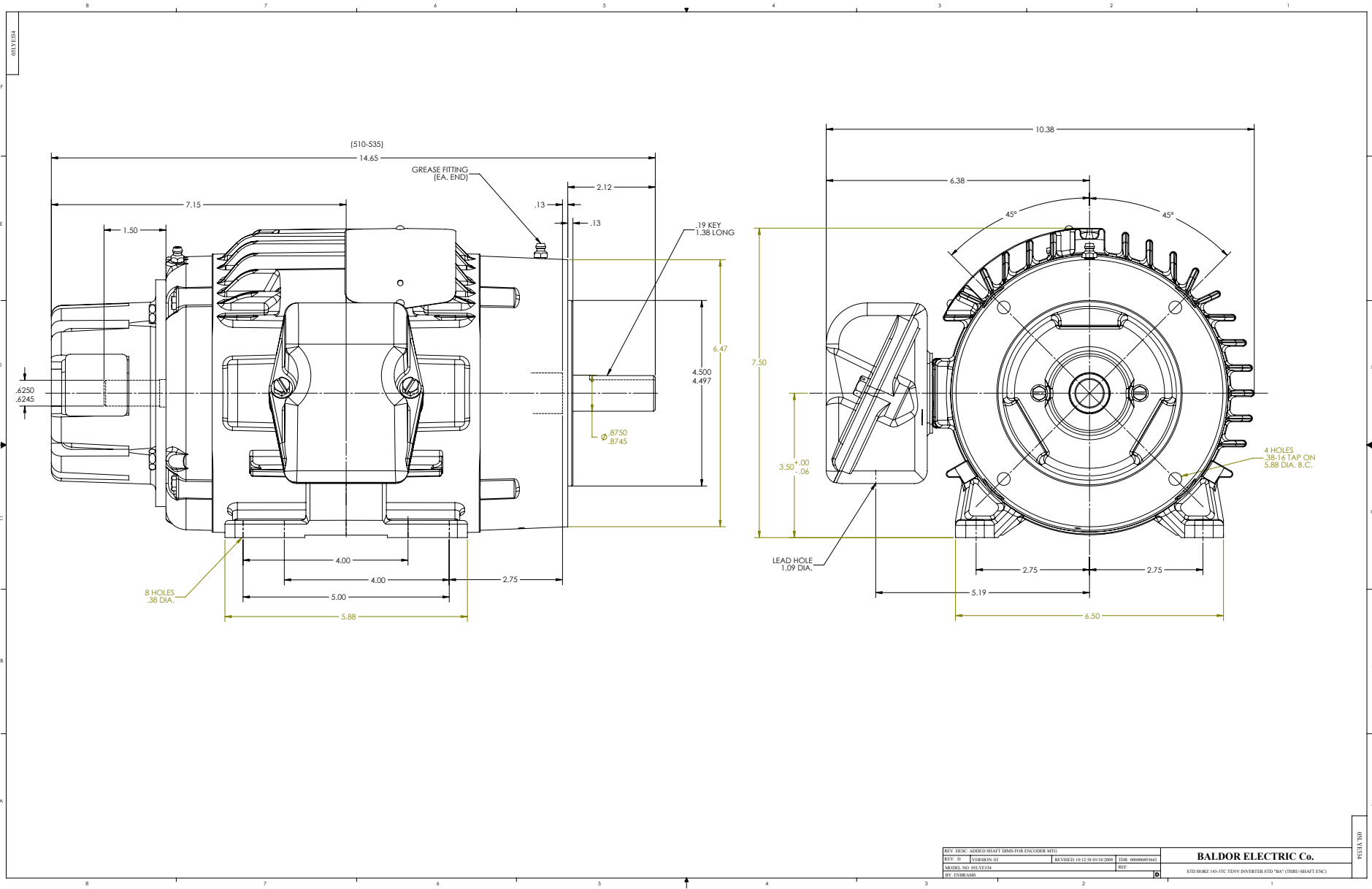
Full Load Torque:	4.51 LB-FT	Start Configuration:	DOL
No-Load Current:	0.984 Amps	Break-Down Torque:	16.9 LB-FT
Line-line Res. @ 25°C.:	13.0 Ohms A Ph / 0.0 Ohms B Ph	Pull-Up Torque:	9.69 LB-FT
Temp. Rise @ Rated Load:	43 C	Locked-Rotor Torque:	14.0 LB-FT
Temp. Rise @ S.F. Load:		Starting Current:	14.6 Amps

**Load Characteristics**

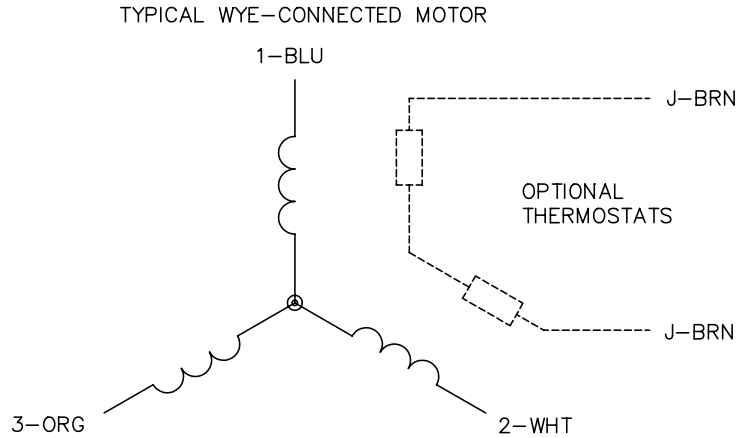
% of Rated Load	25	50	75	100	125	150	S.F.
Power Factor:	35.0	55.0	67.0	75.0	79.0	82.0	0.0
Efficiency:	77.4	84.7	86.7	87.0	86.4	85.1	0.0
Speed:	1785.0	1772.0	1758.0	1744.0	1728.0	1710.0	0.0
Line Amperes:	1.06	1.23	1.47	1.72	2.04	2.38	0.0

Performance Graph at 575V, 60Hz, 1.5HP Typical performance - Not guaranteed values





CD0006



NOTES:

1. THREE LEAD MOTOR MAY BE EITHER WYE CONNECTED OR DELTA CONNECTED.
2. INTERCHANGE ANY TWO LINE LEADS TO REVERSE ROTATION.
3. OPTIONAL THERMOSTATS ARE PROVIDED WHEN SPECIFIED.
4. ACTUAL NUMBER OF INTERNAL PARALLEL CIRCUITS MAY VARY.
5. LEAD COLORS ARE OPTIONAL. LEADS MUST BE NUMBERED AS SHOWN.

REV. DESC: REVISE TO SHOW OPTIONAL COLORS			
REV. LTR: D	BY: JLP	REVISED: 01/21/99 4:02	TDR: 0171435
9000D		FILE: AAA00005141	MDL: -
		MTL: -	

**BALDOR ELECTRIC Co.**

3PH, SV, 3 LEADS, WYE OR DELTA CONNECTED

CD0006