

# **BALDOR**® • **RELIANCE**

## **Product Information Packet**

# **IDVSNM3665T**

**5HP, 1750RPM, 3PH, 60HZ, 184TC, 0643M, TENV, F1**

Copyright © All product information within this document is subject to Baldor Electric Company copyright © protection, unless otherwise noted.

Part Detail							
Revision:	A	Status:	PRD/A	Change #:		Proprietary:	No
Type:	AC	Prod. Type:	0643M	Elec. Spec:	06WGX369	CD Diagram:	
Enclosure:	TENV	Mfg Plant:		Mech. Spec:	06H927	Layout:	
Frame:	184TC	Mounting:	F1	Poles:	04	Created Date:	09-04-2012
Base:	RG	Rotation:	R	Insulation:	F	Eff. Date:	10-05-2012
Leads:	9#16	Literature:		Elec. Diagram:		Replaced By:	
Nameplate NP1163L							
CAT NO	IDVSNM3665T						
SPEC.	06H927X369G1						
FRAME	184TC	HP	5 TE				
VOLTS	230/460						
MAG CUR	7.2/3.6	FLA	13.2/6.6				
RPM	1750	RPM MAX	6000				
HZ	60	PH	3	CLASS	F		
SER.F.	1.00	DES	A	SL HZ	1.6		
NEMA-NOM-EFF	89.5	WK2	0.4				
BLWR V		PH		HZ		A	
RATING	40C AMB-CONT						
DE BRG	6206	ODE BRG	6206				
CC		SN					
	1.5:1 CHP PWM						

Parts List		
Part Number	Description	Quantity
SA250580	SA 06H927X369G1	1.000 EA
RA237433	RA 06H927X369G1	1.000 EA
HW3201A05	3/8-16 EYEBOLT	1.000 EA
06CB1000A03	CONDUIT BOX, MACH	1.000 EA
06GS1000	GASKET, CONDUIT BOX	1.000 EA
51XW2520A12	.25-20 X .75, TAPTITE II, HEX WSHR SLTD	2.000 EA
11XW1032G06	10-32 X .38, TAPTITE II, HEX WSHR SLTD U	1.000 EA
HW3001B01	003SS CUP WASHER, FOR #8 SCREW	1.000 EA
36EP1301A81	FRONT 182-4C 206 BRG W/ GRS & DRILLED T-	1.000 EA
HW4500A01	1641B(ALEMITE)400 UNIV, GREASE FITT	1.000 EA
HW5100A06	W2420-025 WVY WSHR (WB)	1.000 EA
36EP1300A01SP	PU ENDPLATE, MACH	1.000 EA
HW4500A01	1641B(ALEMITE)400 UNIV, GREASE FITT	1.000 EA
10XN2520A26	1/4-20X 1 5/8 HEX HD	4.000 EA
HW1001A25	LOCKWASHER 1/4, ZINC PLT .493 OD, .255 I	4.000 EA
HA3101A39	THRUBOLT 1/4-20 X 10.687	4.000 EA
HA6881	BEI HS35 THRU SHAFT ENCODER PROTECTIVE C	1.000 EA
10XN3816A10	3/8-16 X 5/8 HEX HD CAP SCREW	3.000 EA
06CB1500A01	CONDUIT BOX LID, MACH	1.000 EA
06GS1001	GASKET, CONDUIT BOX LID	1.000 EA
10XN2520A12	O1/4-20X 3/4 HEX HEAD CAP	2.000 EA
HW1001A25	LOCKWASHER 1/4, ZINC PLT .493 OD, .255 I	2.000 EA
HW2501E16	3KEY, 1/4 SQ X 1.750	1.000 EA
HA7000A02	KEY RETAINER RING, 1 1/8 DIA, 1 3/8 DIA	1.000 EA

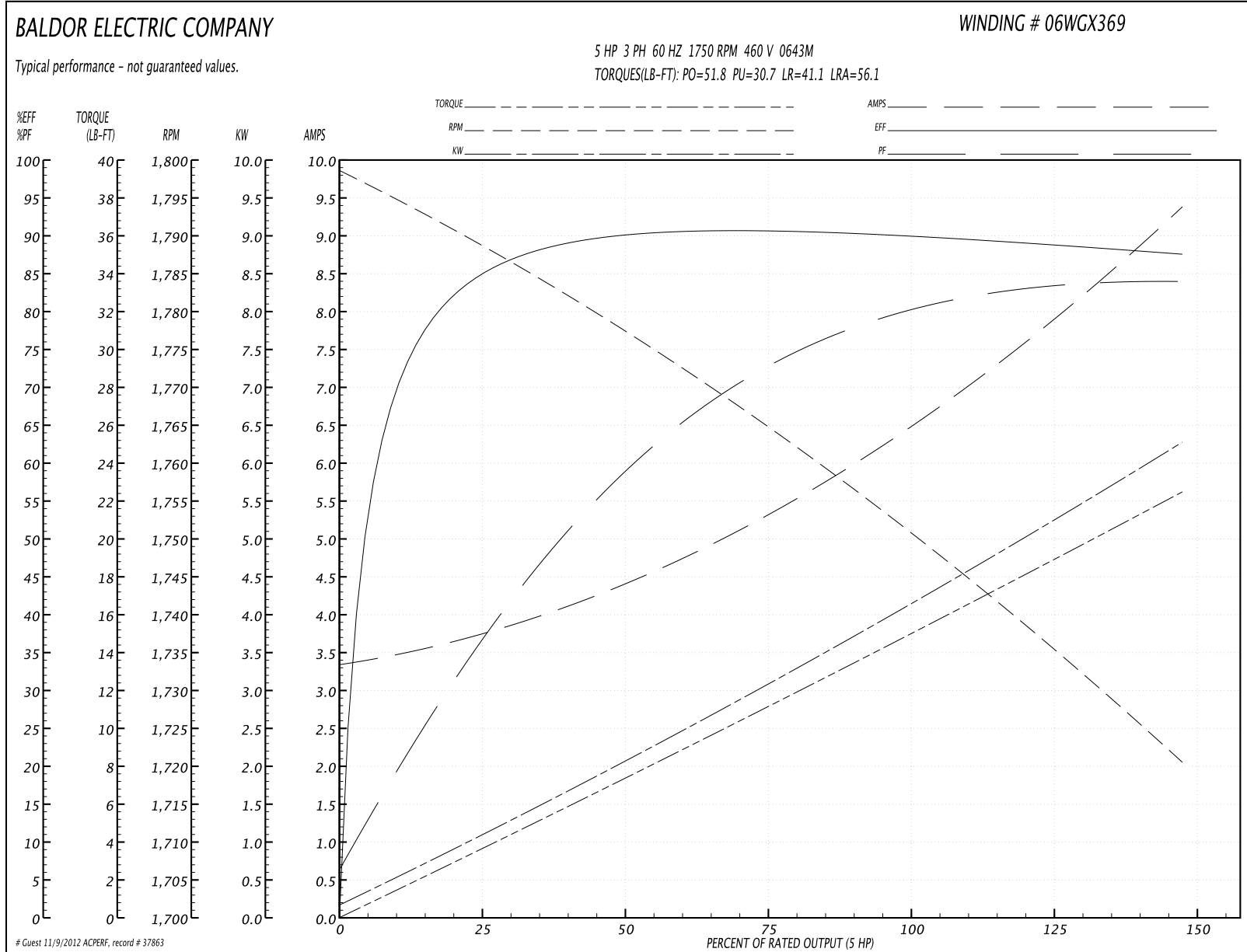
Parts List (continued)		
Part Number	Description	Quantity
85XU0407S04	4X1/4 U DRIVE PIN STAINLESS	2.000 EA
LB1115	LABEL,LIFTING DEVICE	1.000 EA
MJ1000A75	GREASE, POLYREX EM EXXON	0.050 LB
MG1000N49	PAINT, 678.50 WILKO, REL GRN (55 GA)	0.028 GA
LB1119	WARNING LABEL	1.000 EA
LB1125C01	STD (STOCK) CARTON LABEL BALDOR WITH FLA	1.000 EA
LC0145B01	CONNECTION LABEL	1.000 EA
NP1163L	ALUM INV UL CSA CC	1.000 EA
36PA1001	PACKAGING GROUP	1.000 EA

**Performance Data at 460V, 60Hz, 5.0HP (Typical performance - Not guaranteed values)**

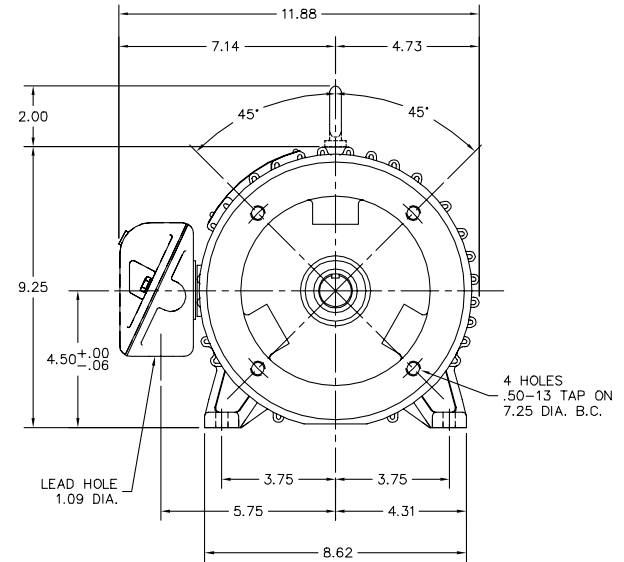
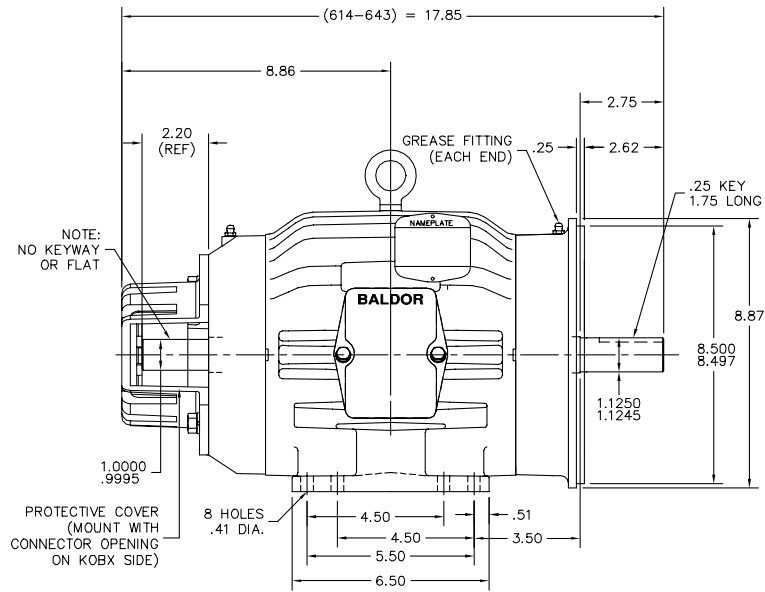
General Characteristics			
Full Load Torque:	15.0 LB-FT	Start Configuration:	DOL
No-Load Current:	3.43 Amps	Break-Down Torque:	51.8 LB-FT
Line-line Res. @ 25°C.:	2.11 Ohms A Ph / 0.0 Ohms B Ph	Pull-Up Torque:	30.7 LB-FT
Temp. Rise @ Rated Load:	97 C	Locked-Rotor Torque:	41.1 LB-FT
Temp. Rise @ S.F. Load:		Starting Current:	56.1 Amps

Load Characteristics							
% of Rated Load	25	50	75	100	125	150	S.F.
Power Factor:	39.0	61.0	72.0	79.0	83.0	85.0	0.0
Efficiency:	85.1	89.7	90.7	90.2	89.0	87.5	0.0
Speed:	1788.0	1777.0	1764.0	1751.0	1737.0	1720.0	0.0
Line Amperes:	3.64	4.37	5.41	6.54	7.87	9.32	0.0

Performance Graph at 460V, 60Hz, 5.0HP Typical performance - Not guaranteed values



06L YH927



CUSTOMER IS RESPONSIBLE FOR DETERMINING THAT BALDOR'S PRODUCT WILL PERFORM SUITABLY IN THE INTENDED APPLICATION.

REV. DESC: CHANGED NOTE FOR ENCODER COVER		
REV. LTR: A	VERSION: 01	TDR: 000000767560
FILE: \AAA\00193\661	REVISED: 10:31:48 10/04/2012	BY: ENBRAMO
MTL: -		

**BALDOR**

STD HORZ 182-4TC TENV V\*S MASTER INVERTER

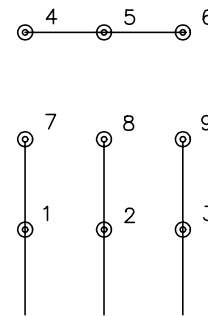
SH 1 of 1

06L YH927

CD0005

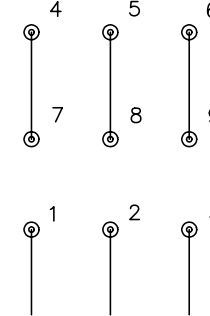


LOW VOLTAGE  
(2Y)



LINE

HIGH VOLTAGE  
(1Y)



LINE

NOTES:

1. INTERCHANGE ANY TWO LINE LEADS TO REVERSE ROTATION.
2. OPTIONAL THERMOSTATS ARE PROVIDED WHEN SPECIFIED.
3. ACTUAL NUMBER OF INTERNAL PARALLEL CIRCUITS MAY BE A MULTIPLE OF THOSE SHOWN ABOVE.
4. LEAD COLORS ARE OPTIONAL. LEADS MUST ALWAYS BE NUMBERED AS SHOWN.

REV. DESC: REVISE TO SHOW OPTIONAL COLORS			
REV. LTR: E	BY: JLP	REVISED: 01/19/99 10:15	TDR: 0171435
90000		FILE: AAA00005140	MDL: -
		MTL: -	

**BALDOR ELECTRIC Co.**

3PH, DV, 9 LEADS

CD0005