

# **BALDOR® • RELIANCE**

## **Product Information Packet**

### **JL1323A**

**3HP,3450RPM,1PH,60HZ,56J,3535LC,OPEN,F1**

Copyright © All product information within this document is subject to Baldor Electric Company copyright © protection, unless otherwise noted.

Part Detail							
Revision:	AV	Status:	PRD/A	Change #:		Proprietary:	No
Type:	AC	Prod. Type:	3535LC	Elec. Spec:	35WGY105	CD Diagram:	
Enclosure:	OPEN	Mfg Plant:		Mech. Spec:	35H992	Layout:	
Frame:	56J	Mounting:	F1	Poles:	02	Created Date:	06-22-2007
Base:	N	Rotation:	FOS	Insulation:	B	Eff. Date:	07-18-2012
Leads:	2#14 A PH,2#18 B&J	Literature:		Elec. Diagram:		Replaced By:	

**Nameplate NP1257L**

CAT.NO.	JL1323A						
SPEC.	35H992Y105						
HP	3						
VOLTS	230						
AMP	13						
RPM	3450						
FRAME	56J	HZ	60	PH	1		
SER.F.	1.15	CODE	K	DES	L	CL	B
NEMA-NOM-EFF	82.5	PF	93				
RATING	40C AMB-CONT						
CC	USABLE AT 208V			13.9			
DE	6205	ODE	6203				
ENCL	OPEN	SN					

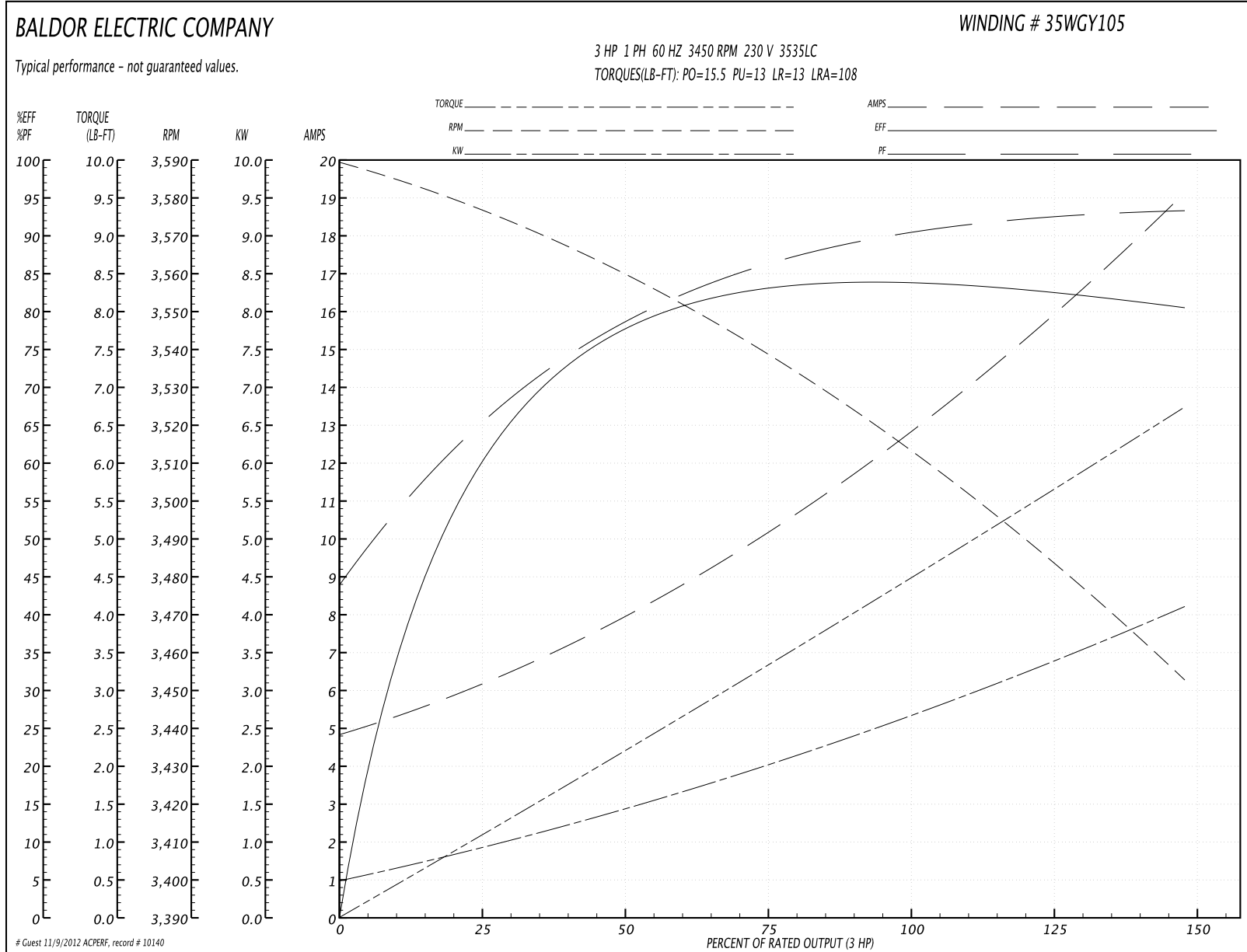
Parts List		
Part Number	Description	Quantity
SA025758	SA 35H992Y105	1.000 EA
RA021808	RA 35H992Y105	1.000 EA
OC3020F12SP	CYL OIL CAP 20MFD/370V	1.000 EA
EC1216C06SP	ELEC CAP, 216-259 MFD, 250V, 2.06D X 4.	1.000 EA
TP5059	GENERIC THERMAL KIT	1.000 EA
53XT0832G07	8-32X7/16 PN STD SR TY23G X	1.000 EA
35EP3202A02SP	FR ENDPLATE, MACH	1.000 EA
51XW0832A07	8-32 X .44, TAPTITE II, HEX WSHR SLTD SE	2.000 EA
85XU0407S04	4X1/4 U DRIVE PIN STAINLESS	2.000 EA
LB1009	LABEL,ROTATION DIRECTION (ON ROLLS)	1.000 EA
35CB3801SP	CAPACITOR COVER, CAST	1.000 EA
HA7010	CAPACITOR RETENTION CLAMP	1.000 EA
NS2501A02	INSULATOR, CAPACITOR BOX	1.000 EA
51XB1016A08	10-16X 1/2HXWSSLD SERTYB	2.000 EA
HW5100A03SP	WAVY WASHER (W1543-017)	1.000 EA
35EP3400A13	STD FACE MTD END PLATE OPEN NEMA 56C 05	1.000 EA
35AD2000	AIR BAFFLE	1.000 EA
60XW0632A06	6-32 X 3/8 TORX HEAD SCREW TAPTITE II	4.000 EA
51XN1032A20	10-32 X 1 1/4 HX WS SL SR	2.000 EA
35FH4500A02	DRIP COVER, STAMPED (W/ AUTOPHERETIC PRI	1.000 EA
51XW0832A07	8-32 X .44, TAPTITE II, HEX WSHR SLTD SE	2.000 EA
35CB4500SP	TERMINAL BOX LID STAMPED	1.000 EA
51XW0832A07	8-32 X .44, TAPTITE II, HEX WSHR SLTD SE	2.000 EA
MJ1000A75	GREASE, POLYREX EM EXXON	0.050 LB

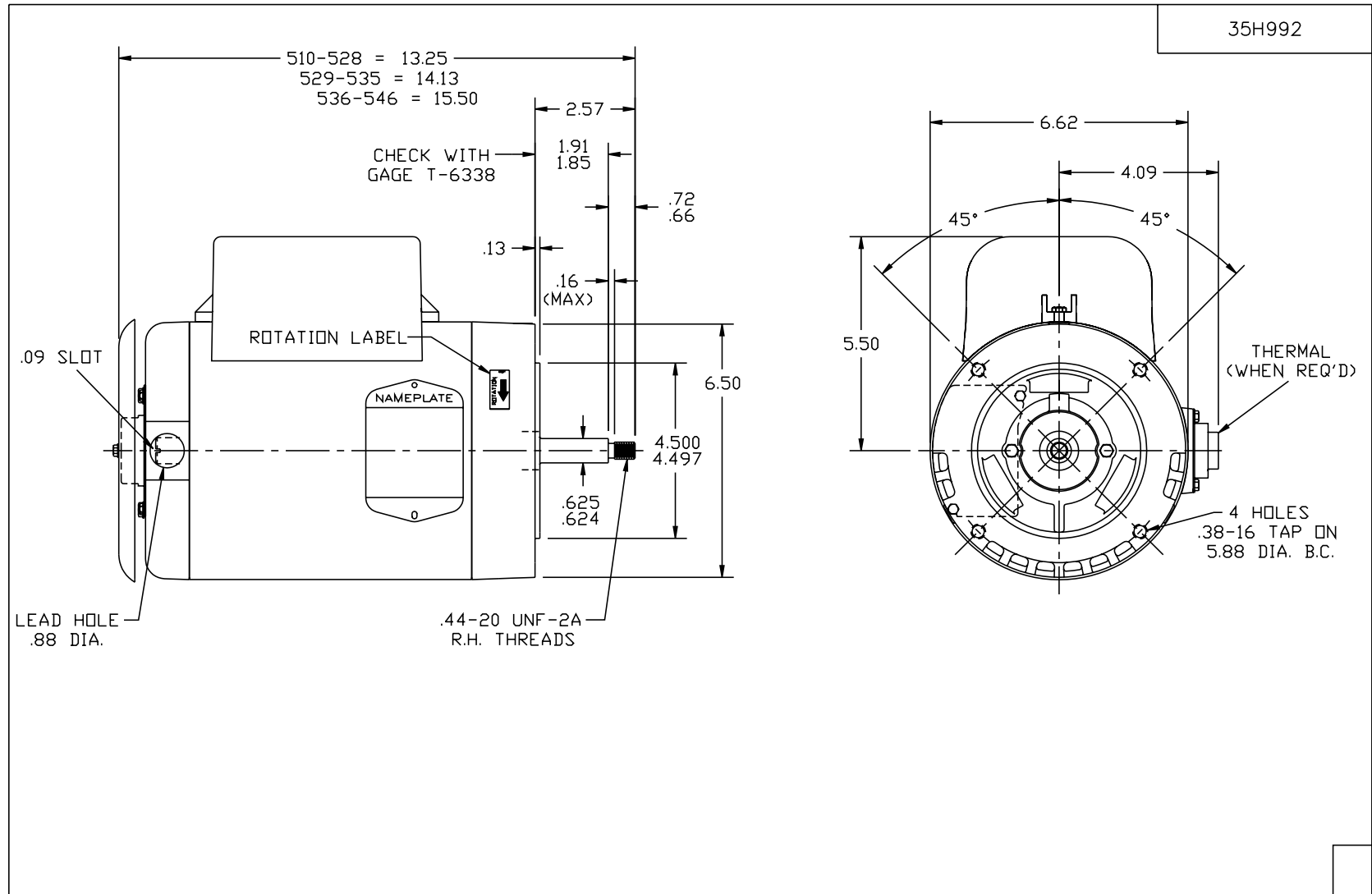
Parts List (continued)		
Part Number	Description	Quantity
MG1000G27	PAINT- S9282E CHARCOAL GREY	0.017 GA
WD1000A15	3-520132-2 AMP FLAG (4M/RL NON-CANC/NON-	4.000 EA
SP5066A03	MODEL 35 TERMINAL PANEL SWITCH WITH LEAD	1.000 EA
34GS5003	FOAM SLEEVE, ID = 2 1/16" X 3 3/8"	2.000 EA
HA3100A18	THRUBOLT 10-32 X 9.250	4.000 EA
LB1118	LABEL,WARNING (ROLL LABEL)	1.000 EA
LB1125C01	STD (STOCK) CARTON LABEL BALDOR WITH FLA	1.000 EA
LC0369	CONNECTION LABEL, SV, FIX, W&W/O TP, TER	1.000 EA
NP1257L	ALUM UL CSA CC THERMAL REV MTG	1.000 EA
35PA1066	PACKING GROUP COMBINED PRINT	1.000 EA
PK3082	STYROFOAM CRADLE	1.000 EA

**Performance Data at 230V, 60Hz, 3.0HP (Typical performance - Not guaranteed values)**

General Characteristics							
Full Load Torque:	4.5 LB-FT			Start Configuration:	DOL		
No-Load Current:	5.0 Amps			Break-Down Torque:	15.5 LB-FT		
Line-line Res. @ 25°C.:	0.614 Ohms A Ph / 2.53 Ohms B Ph			Pull-Up Torque:	13.0 LB-FT		
Temp. Rise @ Rated Load:	49 C			Locked-Rotor Torque:	13.0 LB-FT		
Temp. Rise @ S.F. Load:	62 C			Starting Current:	108.0 Amps		
Load Characteristics							
% of Rated Load	25	50	75	100	125	150	S.F.
Power Factor:	72.0	85.0	90.0	93.0	94.0	94.0	0.0
Efficiency:	68.5	78.5	82.0	82.5	82.5	81.0	0.0
Speed:	3578.0	3556.0	3535.0	3517.0	3487.0	3450.0	0.0
Line Amperes:	6.0	7.9	10.3	13.0	16.0	19.0	14.8

Performance Graph at 230V, 60Hz, 3.0HP Typical performance - Not guaranteed values

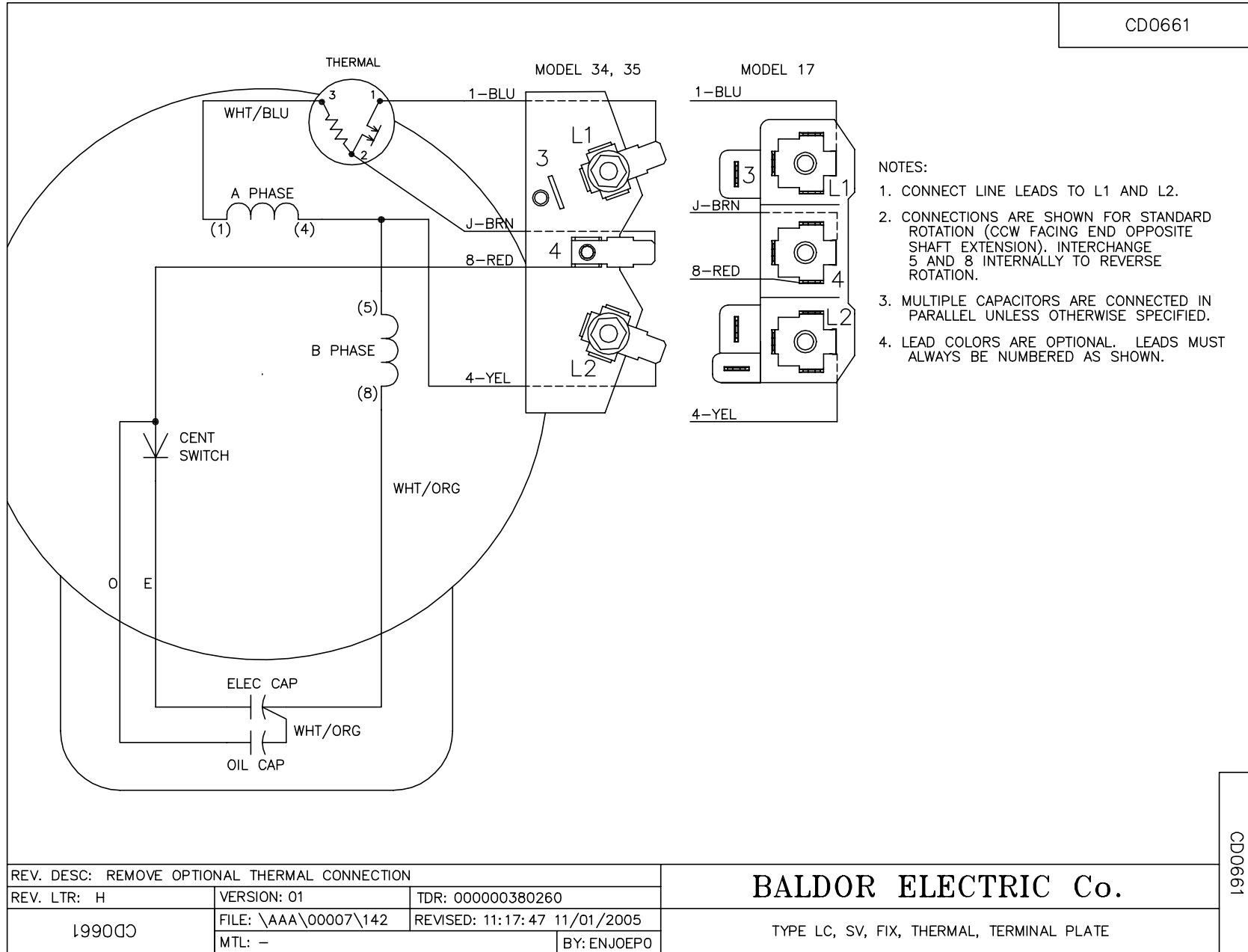




CUST. NAME		CUST. P.O.		CERTIFIED BY		MODEL		INSUL		AMB							
H.P.		MTG		TYPE		R.P.M.		VOLTS		ENCL		PHASE		FREQ		FRAME	
REMARKS:												<b>BALDOR ELECTRIC Co.</b>					
REV: C REDRAWN TO AUTOCAD																	
Z66HG5				SCALE: .3		BY: SSS		REVISED: 09/06/94		STD VERT FACE MTD 35LC OPEN 56J W/TERM PLATE & DRIP COVER							
				FILE: AAA00014083		TDR: 0051036											

35H992

CD0661



CD0661

REV. DESC: REMOVE OPTIONAL THERMAL CONNECTION		
REV. LTR: H	VERSION: 01	TDR: 000000380260
199000	FILE: \AAA\00007\142	REVISED: 11:17:47 11/01/2005
	MTL: -	BY: ENJOEPO

**BALDOR ELECTRIC Co.**

TYPE LC, SV, FIX, THERMAL, TERMINAL PLATE