

# **BALDOR**® • ***RELIANCE***

## **Product Information Packet**

# **JL3514A**

**1.5HP, 1725RPM, 1PH, 60HZ, 56J, 3532LC, TEFC**

Copyright © All product information within this document is subject to Baldor Electric Company copyright © protection, unless otherwise noted.

Part Detail							
Revision:	V	Status:	PRD/A	Change #:		Proprietary:	No
Type:	AC	Prod. Type:	3532LC	Elec. Spec:	35WGW159	CD Diagram:	
Enclosure:	TEFC	Mfg Plant:		Mech. Spec:	35F974	Layout:	
Frame:	56J	Mounting:	F1	Poles:	04	Created Date:	
Base:	N	Rotation:	FOS	Insulation:	B	Eff. Date:	03-05-2012
Leads:	4#16 A&J,1#14 #4TH	Literature:	Y	Elec. Diagram:		Replaced By:	

**Nameplate NP1257L**

CAT.NO.	JL3514A						
SPEC.	35F974W159						
HP	1.5						
VOLTS	115/230						
AMP	16/8						
RPM	1725						
FRAME	56J	HZ	60	PH	1		
SER.F.	1.00	CODE	J	DES	L	CL	B
NEMA-NOM-EFF	75.5	PF	80				
RATING	40C AMB-CONT						
CC				USABLE AT 208V			
DE	6205	ODE	6203				
ENCL	TEFC	SN					

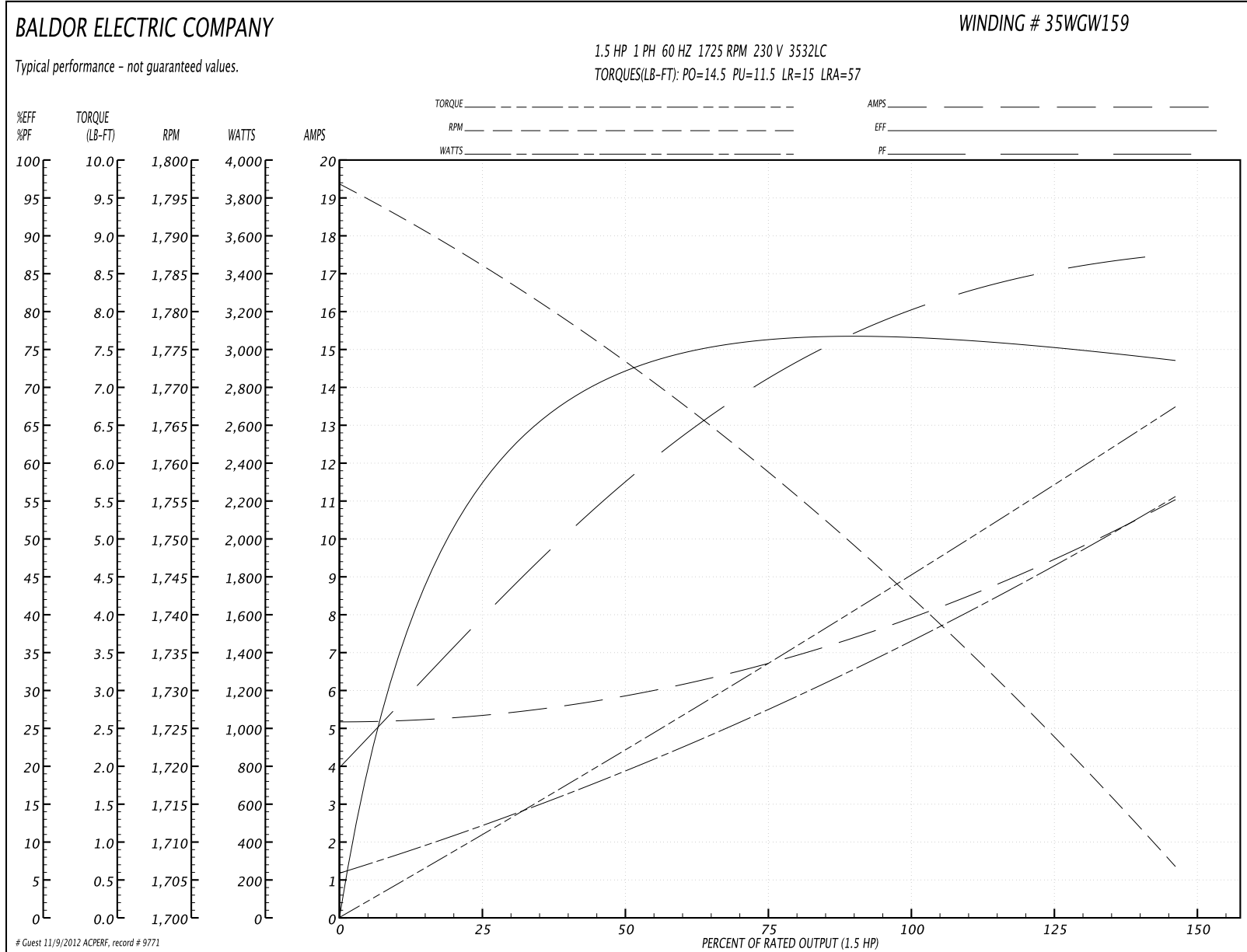
Parts List		
Part Number	Description	Quantity
SA024973	SA 35F974W159	1.000 EA
RA021023	RA 35F974W159	1.000 EA
OC3015F12SP	CYL OIL CAP 15MFD/370V	1.000 EA
EC1645A06SP	ELEC CAP, 645-774 MFD, 125V, 2.06D X 4.	1.000 EA
TP5059	GENERIC THERMAL KIT	1.000 EA
NS2512A01	INSULATOR, CONDUIT BOX X	1.000 EA
35CB3000SP	CONDUIT BOX, CAST, W/.88 DIA. LEAD HOLE	1.000 EA
36GS1000SP	GASKET-CONDUIT BOX, .06 THICK #SV-330 LE	1.000 EA
51XB1016A07	10-16 X 7/16 HXWSSLD SERTYB	2.000 EA
11XW1032G06	10-32 X .38, TAPTITE II, HEX WSHR SLTD U	1.000 EA
35EP3100M02	FREP TEFC 203 BRG W/O GRSR (RAISED FH MT	1.000 EA
51XW0832A07	8-32 X .44, TAPTITE II, HEX WSHR SLTD SE	2.000 EA
85XU0407S04	4X1/4 U DRIVE PIN STAINLESS	2.000 EA
NS2501A02	INSULATOR, CAPACITOR BOX	1.000 EA
35CB3801SP	CAPACITOR COVER, CAST	1.000 EA
34GS3002	GASKET, CAPACITOR BOX	1.000 EA
HA7010	CAPACITOR RETENTION CLAMP	1.000 EA
51XB1016A08	10-16X 1/2HXWSSLD SERTYB	2.000 EA
HW5100A03SP	WAVY WASHER (W1543-017)	1.000 EA
35EP3300A33	SPL FACE MTD EP -ENCL-205 BRG	1.000 EA
51XN1032A20	10-32 X 1 1/4 HX WS SL SR	2.000 EA
51XB1214A16	12-14X1.00 HXWSSLD SERTYB	1.000 EA
35FH4005A55	IEC FH NO GRSR,3 MTG HOLE NO DIMPLES, 1.	1.000 EA
51XW1032A06	10-32 X .38, TAPTITE II, HEX WSHR SLTD S	3.000 EA

Parts List (continued)		
Part Number	Description	Quantity
WD4100A10	465 NIAGARA PLUG (SO ELEC),FOR 1.093 DIA	1.000 EA
35CB4514	35 LIPPED CB LID	1.000 EA
36GS1001SP	GASKET, CONDUIT BOX LID, .06 THICK #SV-3	1.000 EA
51XW0832A07	8-32 X .44, TAPTITE II, HEX WSHR SLTD SE	4.000 EA
MJ1000A75	GREASE, POLYREX EM EXXON	0.050 LB
35FN3002A05SP	EXFN, PLASTIC, 6.376 OD, .638 ID	1.000 EA
MG1000G27	PAINT- S9282E CHARCOAL GREY	0.017 GA
SP5055A32	MODEL 35 TYPE LC STATIONARY SWITCH WITH	1.000 EA
WD1000A15	3-520132-2 AMP FLAG (4M/RL NON-CANC/NON-	4.000 EA
HA3100A18	THRUBOLT 10-32 X 9.250	4.000 EA
LB1118	LABEL,WARNING (ROLL LABEL)	1.000 EA
LB1125C01	STD (STOCK) CARTON LABEL BALDOR WITH FLA	1.000 EA
LC0031	CONNECTION LABEL	1.000 EA
NP1257L	ALUM UL CSA CC THERMAL REV MTG	1.000 EA
PK3082	STYROFOAM CRADLE	1.000 EA
36PA1000	PACK GROUP W/LB5001	1.000 EA
HW3001B01	003SS CUP WASHER, FOR #8 SCREW	1.000 EA

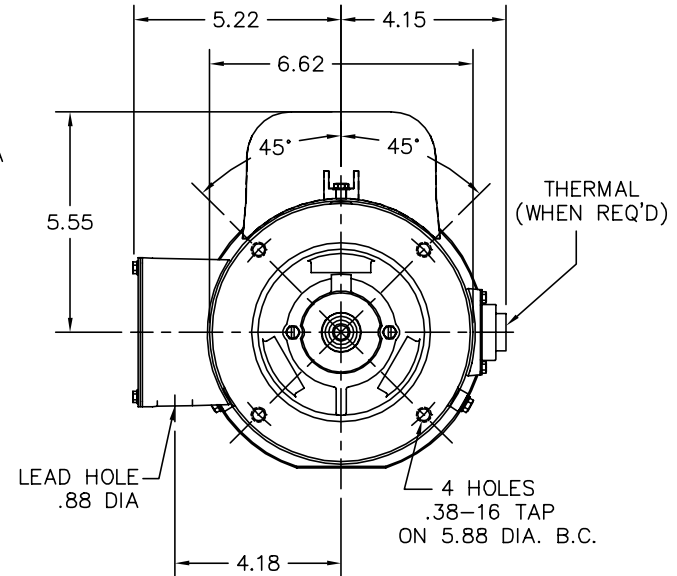
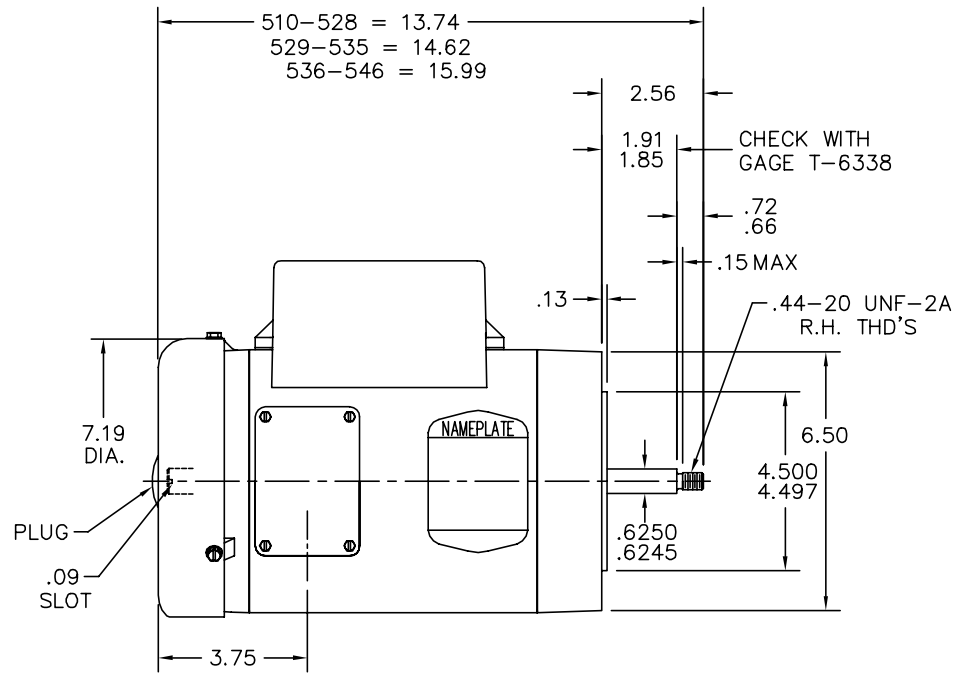
**Performance Data at 230V, 60Hz, 1.5HP (Typical performance - Not guaranteed values)**

General Characteristics							
Full Load Torque:	4.5 LB-FT			Start Configuration:	DOL		
No-Load Current:	5.2 Amps			Break-Down Torque:	14.5 LB-FT		
Line-line Res. @ 25°C.:	1.41 Ohms A Ph / 1.18 Ohms B Ph			Pull-Up Torque:	11.5 LB-FT		
Temp. Rise @ Rated Load:	76 C			Locked-Rotor Torque:	15.0 LB-FT		
Temp. Rise @ S.F. Load:				Starting Current:	57.0 Amps		
Load Characteristics							
% of Rated Load	25	50	75	100	125	150	S.F.
Power Factor:	42.0	59.0	72.0	80.0	85.0	88.0	0.0
Efficiency:	59.1	71.6	76.1	76.6	75.7	73.4	0.0
Speed:	1784.0	1773.0	1759.0	1743.0	1726.0	1706.0	0.0
Line Amperes:	5.3	5.9	6.7	7.9	9.4	11.0	0.0

Performance Graph at 230V, 60Hz, 1.5HP Typical performance - Not guaranteed values



35LYF974



CUSTOMER IS RESPONSIBLE FOR DETERMINING THAT BALDOR'S PRODUCT WILL PERFORM SUITABLY IN THE INTENDED APPLICATION.

REV. DESC: CHANGED STACK 521-528 TO 510-528		
REV. LTR: H	VERSION: 02	TDR: 000000566204
FILE: \AAA\00043\248	REVISED: 09: 21: 23 11/16/2010	
MTL: -	BY: ENROSTO	

**BALDOR • DODGE • RELIANCE**

STD VERT 56J TEFC 35LC

SH 1 of 1

35LYF974

