

# **BALDOR**® • **RELIANCE**

## **Product Information Packet**

# **JM3111**

**.75HP,3450RPM,3PH,60HZ,56J,3416M,OPEN,F1**

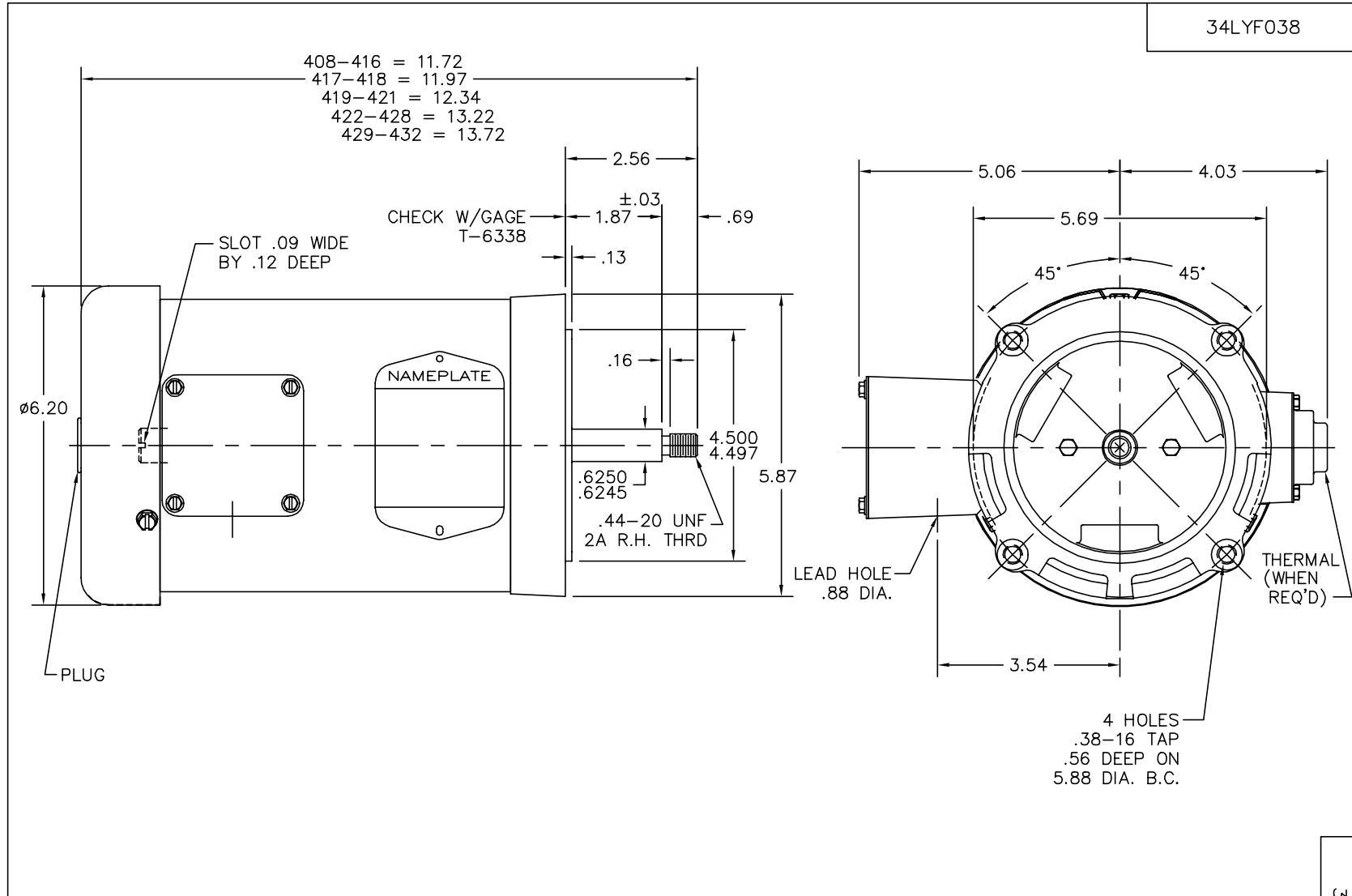
Copyright © All product information within this document is subject to Baldor Electric Company copyright © protection, unless otherwise noted.

Part Detail							
Revision:	S	Status:	PRD/A	Change #:		Proprietary:	No
Type:	AC	Prod. Type:	3416M	Elec. Spec:	34WG2719	CD Diagram:	
Enclosure:	OPEN	Mfg Plant:		Mech. Spec:	34F038	Layout:	
Frame:	56J	Mounting:	F1	Poles:	02	Created Date:	
Base:	N	Rotation:	R	Insulation:	B	Eff. Date:	06-09-2011
Leads:	9#18	Literature:		Elec. Diagram:		Replaced By:	

Nameplate NP1256L									
CAT.NO.	JM3111								
SPEC.	34F38-2719								
HP	.75								
VOLTS	208-230/460								
AMP	3.2-3/1.5								
RPM	3450								
FRAME	56J	HZ	60	PH	3				
SER.F.	1.50	CODE	M	DES	B	CLASS	B		
NEMA-NOM-EFF	74	PF	66						
RATING	40C AMB-CONT								
CC	USABLE AT 208V			4					
DE	6203	ODE	6203						
ENCL	OPEN	SN							
	SFA 4-3.8/1.9								

Parts List		
Part Number	Description	Quantity
SA005858	SA 34F38-2719	1.000 EA
RA002604	RA 34F38-2719	1.000 EA
NS2512A01	INSULATOR, CONDUIT BOX X	1.000 EA
34CB3002A	CB CAST W/.88 DIA HOLE	1.000 EA
51XB1016A07	10-16 X 7/16 HXWSSLD SERTYB	2.000 EA
11XW1032G06	10-32 X .38, TAPTITE II, HEX WSHR SLTD U	1.000 EA
34EP3212A03	FR EP 34L FOR DRIP CVR	1.000 EA
HW5100A03SP	WAVY WASHER (W1543-017)	1.000 EA
34EP3401A01SP	PU ENDPLATE, MACH	1.000 EA
34AD2000	BAFFLE PLATE, STAMPED	1.000 EA
51XT0632A06	6-32X3/8 TY23 HXWS SLDSR	4.000 EA
51XN1032A20	10-32 X 1 1/4 HX WS SL SR	2.000 EA
34FH4001A04	DRIP COVER, STAMPED	1.000 EA
51XW1032A06	10-32 X .38, TAPTITE II, HEX WSHR SLTD S	3.000 EA
WD4101A09	STIMPSON D3560, .875 DIA. HOLE PLUG	1.000 EA
34CB4517	CB LID 4 MTG HOLES .22 DIA STAMPED, FOR	1.000 EA
51XW0832A07	8-32 X .44, TAPTITE II, HEX WSHR SLTD SE	4.000 EA
RM1010A01	35-968-1 VINYL CLS	1.000 EA
MG1000G27	PAINT- S9282E CHARCOAL GREY	0.014 GA
10XF0440S02	04-40 X 1/8 TYPE F HEX HD STAINLESS STIC	2.000 EA
HA3100A12	THRUBOLT 10-32 X 7.375	4.000 EA
LB1125C01	STD (STOCK) CARTON LABEL BALDOR WITH FLA	1.000 EA
LC0005E01	CONN.DIA./WARNING LABEL (LC0005/LB1119)	1.000 EA
NP1256L	ALUM UL CSA CC	1.000 EA

Parts List (continued)		
Part Number	Description	Quantity
34PA1002	PACKING GROUP, BALDOR	1.000 EA
PK3083T	STYROFOAM PACKING CRADLE W/TAPE	1.000 EA



CUSTOMER IS RESPONSIBLE FOR DETERMINING THAT MOTOR PERFORMANCE IS SUITABLE IN THE APPLICATION.

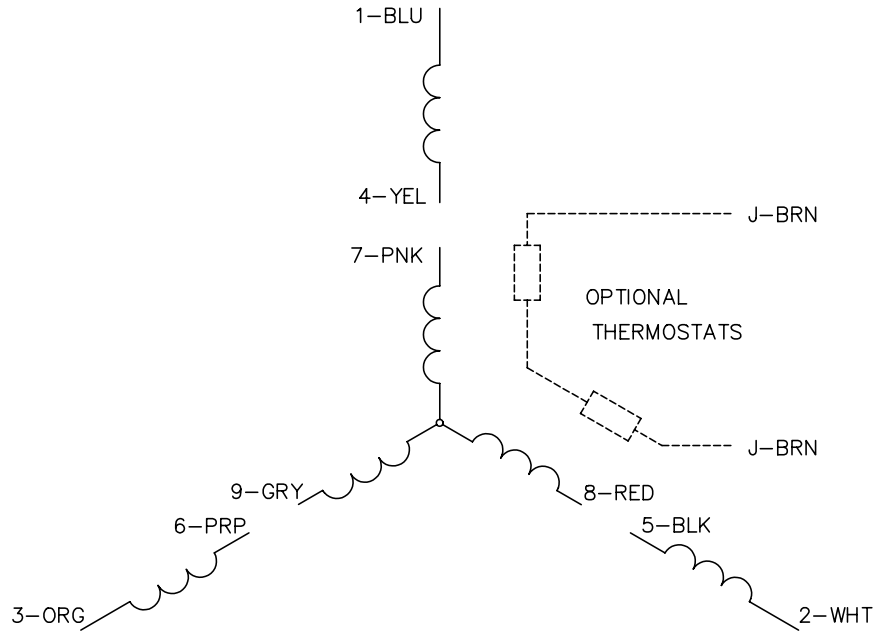
REV. DESC: NEW KBOX & LID			
REV. LTR: H	BY: RT	REVISED: 11:57:23 10/14/2003	TDR: 314971
34LYF038		FILE: AAA00026304	REF: 34LYF038
		MTL: -	

**BALDOR ELECTRIC Co.**

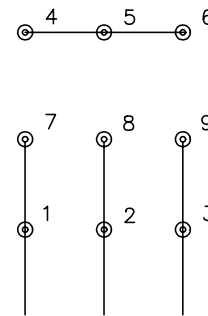
STD VERT 56J OPEN 34M W/DRIP CVR

34LYF038

CD0005

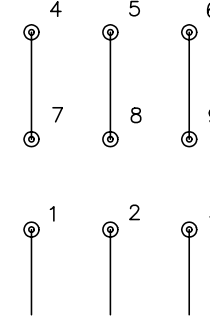


LOW VOLTAGE (2Y)



LINE

HIGH VOLTAGE (1Y)



LINE

NOTES:

1. INTERCHANGE ANY TWO LINE LEADS TO REVERSE ROTATION.
2. OPTIONAL THERMOSTATS ARE PROVIDED WHEN SPECIFIED.
3. ACTUAL NUMBER OF INTERNAL PARALLEL CIRCUITS MAY BE A MULTIPLE OF THOSE SHOWN ABOVE.
4. LEAD COLORS ARE OPTIONAL. LEADS MUST ALWAYS BE NUMBERED AS SHOWN.

REV. DESC: REVISE TO SHOW OPTIONAL COLORS			
REV. LTR: E	BY: JLP	REVISED: 01/19/99 10:15	TDR: 0171435
9000D		FILE: AAA00005140	MDL: -
		MTL: -	

**BALDOR ELECTRIC Co.**

3PH, DV, 9 LEADS

CD0005