

BALDOR® • RELIANCE

Product Information Packet

JM3155

2HP,3450RPM,3PH,60HZ,56J,3430M,OPEN,F1

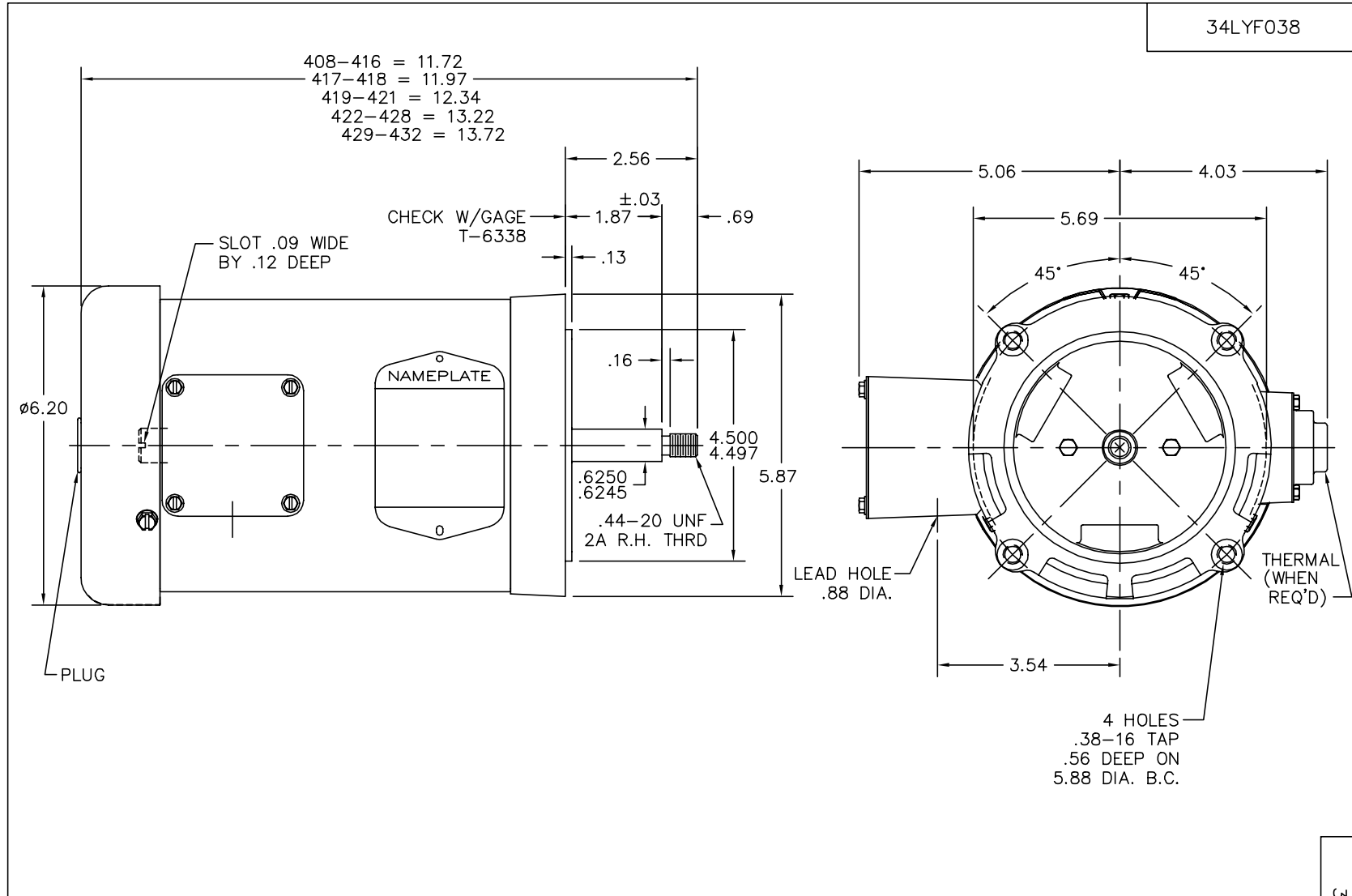
Copyright © All product information within this document is subject to Baldor Electric Company copyright © protection, unless otherwise noted.

| Part Detail | | | | | | | |
|-------------|------|-------------|-------|----------------|----------|---------------|------------|
| Revision: | L | Status: | PRD/A | Change #: | | Proprietary: | No |
| Type: | AC | Prod. Type: | 3430M | Elec. Spec: | 34WGX636 | CD Diagram: | |
| Enclosure: | OPEN | Mfg Plant: | | Mech. Spec: | 34F038 | Layout: | |
| Frame: | 56J | Mounting: | F1 | Poles: | 02 | Created Date: | |
| Base: | N | Rotation: | R | Insulation: | B | Eff. Date: | 06-09-2011 |
| Leads: | 9#18 | Literature: | | Elec. Diagram: | | Replaced By: | |

| Nameplate NP1256L | | | | | | | | | |
|-------------------|--------------|------|------|----------------|-----|-------|---|--|--|
| CAT.NO. | JM3155 | | | | | | | | |
| SPEC. | 34F038X636 | | | | | | | | |
| HP | 2 | | | | | | | | |
| VOLTS | 230/460 | | | | | | | | |
| AMP | 5.4/2.7 | | | | | | | | |
| RPM | 3450 | | | | | | | | |
| FRAME | 56J | HZ | 60 | PH | 3 | | | | |
| SER.F. | 1.20 | CODE | L | DES | B | CLASS | B | | |
| NEMA-NOM-EFF | 82.5 | PF | 86 | | | | | | |
| RATING | 40C AMB-CONT | | | | | | | | |
| CC | | | | USABLE AT 208V | 6.4 | | | | |
| DE | 6203 | ODE | 6203 | | | | | | |
| ENCL | OPEN | SN | | | | | | | |
| | SFA 6.2/3.1 | | | | | | | | |

| Parts List | | |
|---------------|--|----------|
| Part Number | Description | Quantity |
| SA043930 | SA 34F038X636 | 1.000 EA |
| RA039392 | RA 34F038X636 | 1.000 EA |
| NS2512A01 | INSULATOR, CONDUIT BOX X | 1.000 EA |
| 34CB3002A | CB CAST W/.88 DIA HOLE | 1.000 EA |
| 51XB1016A07 | 10-16 X 7/16 HXWSSLD SERTYB | 2.000 EA |
| 11XW1032G06 | 10-32 X .38, TAPTITE II, HEX WSHR SLTD U | 1.000 EA |
| 34EP3212A03 | FR EP 34L FOR DRIP CVR | 1.000 EA |
| HW5100A03SP | WAVY WASHER (W1543-017) | 1.000 EA |
| 34EP3401A01SP | PU ENDPLATE, MACH | 1.000 EA |
| 34AD2000 | BAFFLE PLATE, STAMPED | 1.000 EA |
| 51XT0632A06 | 6-32X3/8 TY23 HXWS SLDSR | 4.000 EA |
| 51XN1032A20 | 10-32 X 1 1/4 HX WS SL SR | 2.000 EA |
| 34FH4001A04 | DRIP COVER, STAMPED | 1.000 EA |
| 51XW1032A06 | 10-32 X .38, TAPTITE II, HEX WSHR SLTD S | 3.000 EA |
| WD4101A09 | STIMPSON D3560, .875 DIA. HOLE PLUG | 1.000 EA |
| 34CB4517 | CB LID 4 MTG HOLES .22 DIA STAMPED, FOR | 1.000 EA |
| 51XW0832A07 | 8-32 X .44, TAPTITE II, HEX WSHR SLTD SE | 4.000 EA |
| RM1010A01 | 35-968-1 VINYL CLS | 1.000 EA |
| MG1000G27 | PAINT- S9282E CHARCOAL GREY | 0.014 GA |
| 10XF0440S02 | 04-40 X 1/8 TYPE F HEX HD STAINLESS STIC | 2.000 EA |
| HA3100A38 | THRUBOLT 10-32 X 9.375 | 4.000 EA |
| LB5040 | INSTRUCTION TAG, AC & DC | 1.000 EA |
| LB1125C01 | STD (STOCK) CARTON LABEL BALDOR WITH FLA | 1.000 EA |
| LC0005E01 | CONN.DIA./WARNING LABEL (LC0005/LB1119) | 1.000 EA |

| Parts List (continued) | | |
|------------------------|---------------------------------|----------|
| Part Number | Description | Quantity |
| NP1256L | ALUM UL CSA CC | 1.000 EA |
| 34PA1005 | PACKING GROUP, BALDOR | 1.000 EA |
| PK3083T | STYROFOAM PACKING CRADLE W/TAPE | 1.000 EA |



CUSTOMER IS RESPONSIBLE FOR DETERMINING THAT MOTOR PERFORMANCE IS SUITABLE IN THE APPLICATION.

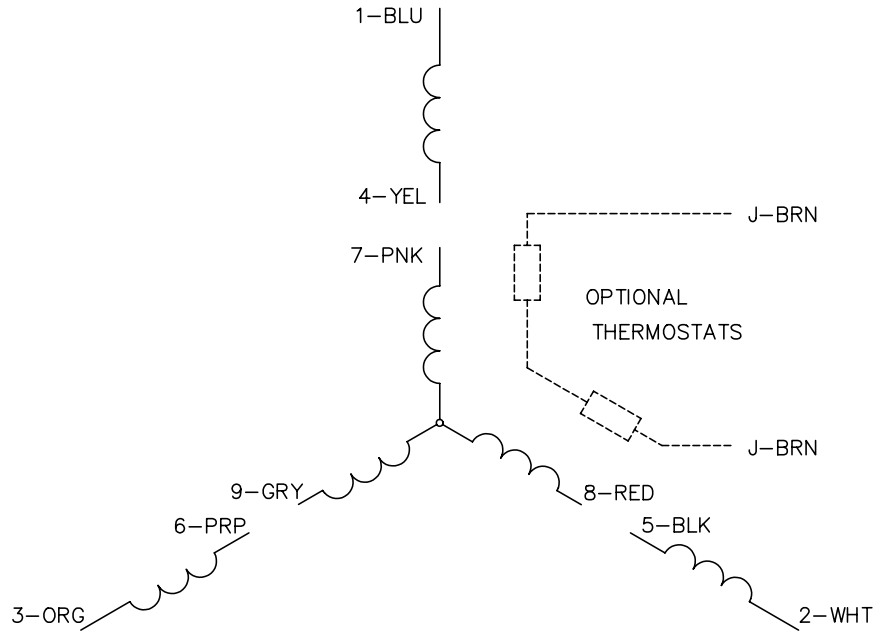
| | | | |
|---------------------------|--------|------------------------------|---------------|
| REV. DESC: NEW KBOX & LID | | | |
| REV. LTR: H | BY: RT | REVISED: 11:57:23 10/14/2003 | TDR: 314971 |
| 34LYF038 | | FILE: AAA00026304 | REF: 34LYF038 |
| | | MTL: - | |

BALDOR ELECTRIC Co.

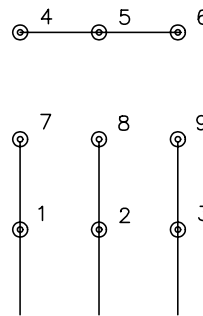
STD VERT 56J OPEN 34M W/DRIP CVR

34LYF038

CD0005

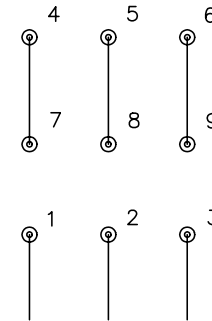


LOW VOLTAGE
(2Y)



LINE

HIGH VOLTAGE
(1Y)



LINE

NOTES:

1. INTERCHANGE ANY TWO LINE LEADS TO REVERSE ROTATION.
2. OPTIONAL THERMOSTATS ARE PROVIDED WHEN SPECIFIED.
3. ACTUAL NUMBER OF INTERNAL PARALLEL CIRCUITS MAY BE A MULTIPLE OF THOSE SHOWN ABOVE.
4. LEAD COLORS ARE OPTIONAL. LEADS MUST ALWAYS BE NUMBERED AS SHOWN.

| | | | |
|---|---------|-------------------------|--------------|
| REV. DESC: REVISE TO SHOW OPTIONAL COLORS | | | |
| REV. LTR: E | BY: JLP | REVISED: 01/19/99 10:15 | TDR: 0171435 |
| 90000 | | FILE: AAA00005140 | MDL: - |
| | | MTL: - | |

BALDOR ELECTRIC Co.

3PH, DV, 9 LEADS

CD0005