

BALDOR® • RELIANCE

Product Information Packet

JMM4110T

40HP, 1770RPM, 3PH, 60HZ, 324JM, 1064M, TEFC, F

Copyright © All product information within this document is subject to Baldor Electric Company copyright © protection, unless otherwise noted.

| Part Detail | | | | | | | |
|-------------|-------|-------------|-------|----------------|----------|---------------|------------|
| Revision: | K | Status: | PRD/A | Change #: | | Proprietary: | No |
| Type: | AC | Prod. Type: | 1064M | Elec. Spec: | 10WGX908 | CD Diagram: | |
| Enclosure: | TEFC | Mfg Plant: | | Mech. Spec: | 10F606 | Layout: | |
| Frame: | 324JM | Mounting: | F1 | Poles: | 04 | Created Date: | 06-23-2006 |
| Base: | RG | Rotation: | R | Insulation: | F | Eff. Date: | 05-15-2012 |
| Leads: | 9#8 | Literature: | | Elec. Diagram: | | Replaced By: | |

Nameplate NP1256L

| | | | | | | | |
|--------------|--------------|----------------|------|-----|---|-------|---|
| CAT.NO. | JMM4110T | | | | | | |
| SPEC. | 10F606X908G1 | | | | | | |
| HP | 40 | | | | | | |
| VOLTS | 230/460 | | | | | | |
| AMP | 94/47 | | | | | | |
| RPM | 1770 | | | | | | |
| FRAME | 324JM | HZ | 60 | PH | 3 | | |
| SER.F. | 1.15 | CODE | G | DES | B | CLASS | F |
| NEMA-NOM-EFF | 93 | PF | 85 | | | | |
| RATING | 40C AMB-CONT | | | | | | |
| CC | 010A | USABLE AT 208V | 101 | | | | |
| DE | 6312 | ODE | 6309 | | | | |
| ENCL | TEFC | SN | | | | | |
| | | | | | | | |

| Parts List | | |
|----------------|--|----------|
| Part Number | Description | Quantity |
| SA145000 | SA 10F606X908G1 | 1.000 EA |
| RA134171 | RA 10F606X908G1 | 1.000 EA |
| 09FN3001B02 | EXTERNAL FAN, PLASTIC | 1.000 EA |
| S/P101-000-004 | EPACT PROC-CL, 280FR & UP,LARGE BOX,POLY | 1.000 EA |
| 10CB3001 | CONDUIT BOX CAST W/2.500 LEAD HOLE | 1.000 EA |
| 12GS1000SP | GASKET | 1.000 EA |
| 10XN3118K12 | 5/16-18 X .75 GRADE 5, ZINC PLATED | 4.000 EA |
| HW1001A31 | LOCKWASHER 5/16, ZINC PLT.591 OD, .319 I | 4.000 EA |
| WD1000B16 | KPA-4C BURNDY TERMINAL | 1.000 EA |
| 51XF2520A08 | SCREW, HEX SER SLT HD, ZN 1/4-20 X .50 L | 1.000 EA |
| 10EP1106A01 | FR ENDPLATE, MACH | 1.000 EA |
| XY3816A12 | 3/8-16 FINISHED NUT | 4.000 EA |
| HW1001A38 | LOCKWASHER 3/8, ZINC PLT .688 OD, .382 I | 4.000 EA |
| HW5100A11 | W3917-042 WVY WSHR (WB) | 1.000 EA |
| 10XN2520K36 | 1/4-20 X 2.25" HX HD SCRWGRADE 5, ZINC P | 2.000 EA |
| HW1001A25 | LOCKWASHER 1/4, ZINC PLT .493 OD, .255 I | 2.000 EA |
| 10XN3118K44 | 5/16-18 X 2.75" HEX HD, GRADE 5 | 4.000 EA |
| HW1001A31 | LOCKWASHER 5/16, ZINC PLT.591 OD, .319 I | 4.000 EA |
| 10EP1304A01 | PU ENDPLATE, MACH | 1.000 EA |
| HA3113A15 | THRUBOLT 3/8-16 X 18.875 W/3.50 THD LENG | 4.000 EA |
| HW1001A38 | LOCKWASHER 3/8, ZINC PLT .688 OD, .382 I | 4.000 EA |
| 10FH4000SP | 310 FAN HOUSING STAMPED | 1.000 EA |
| 10XN2520K08 | 1/4-20 X .50 GRADE #5, STL, ZINC PLATE | 4.000 EA |
| HW1001A25 | LOCKWASHER 1/4, ZINC PLT .493 OD, .255 I | 4.000 EA |

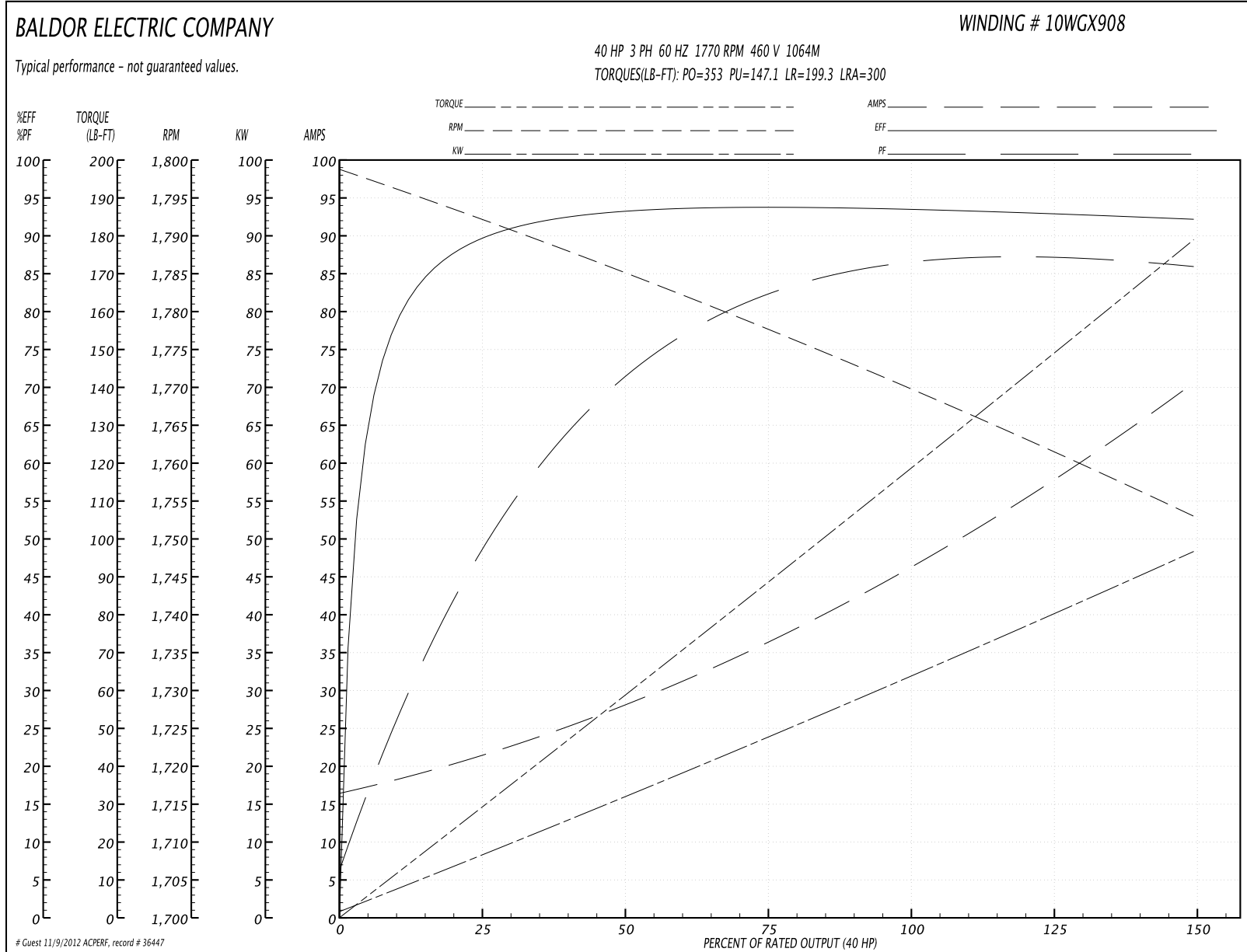
| Parts List (continued) | | |
|------------------------|--|----------|
| Part Number | Description | Quantity |
| 10CB3500SP | CONDUIT BOX LID, CAST | 1.000 EA |
| 10GS1000SP | GASKET, CONDUIT BOX LID | 1.000 EA |
| 51XW2520A12 | .25-20 X .75, TAPTITE II, HEX WSHR SLTD | 4.000 EA |
| HW4600B41 | V-RING SLINGER 2.125 X 2.880 X 0.280 | 1.000 EA |
| HW2501E21 | KEY, 1/4 SQ X 2.375 | 1.000 EA |
| LB1115 | LABEL,LIFTING DEVICE | 1.000 EA |
| LB5040 | INSTRUCTION TAG, AC & DC | 1.000 EA |
| HW4500A21 | 1618BALEMITE FITTING 825 UNIVERSAL | 1.000 EA |
| HA4017A01 | 1/8 X 4 GREASE EXT (F/S) | 1.000 EA |
| HW4500A17 | 317400 ALEMITE GREASE RELIEF | 1.000 EA |
| HA4001A01SP | DRAIN PLUG, PLASTIC (MICRO PLAS) | 1.000 EA |
| HA4051A00 | PLASTIC CAP FOR GREASE FITTING | 1.000 EA |
| MJ1000A75 | GREASE, POLYREX EM EXXON | 0.130 LB |
| HW4500A03 | GREASE FITTING, .125 NPT 1610(ALEMITE) 8 | 1.000 EA |
| HW4500A17 | 317400 ALEMITE GREASE RELIEF | 1.000 EA |
| HA4001A01SP | DRAIN PLUG, PLASTIC (MICRO PLAS) | 1.000 EA |
| HA4051A00 | PLASTIC CAP FOR GREASE FITTING | 1.000 EA |
| HW2500A25 | WOODRUFF KEY USA #1008 #BLOW CARBON STEE | 1.000 EA |
| 51XB1214A20 | 12-14X1.25 HXWSSLD SERTYB | 1.000 EA |
| MG1000G27 | PAINT- S9282E CHARCOAL GREY | 0.070 GA |
| 85XU0407A04 | #4-7 X 1/4 DRIVE PIN | 2.000 EA |
| LB1119 | WARNING LABEL | 1.000 EA |
| LB1125C04 | STD-E (STOCK CTN LABEL STD-E WITH FLAG) | 4.000 EA |
| LC0181 | CONNECTION LABEL | 1.000 EA |

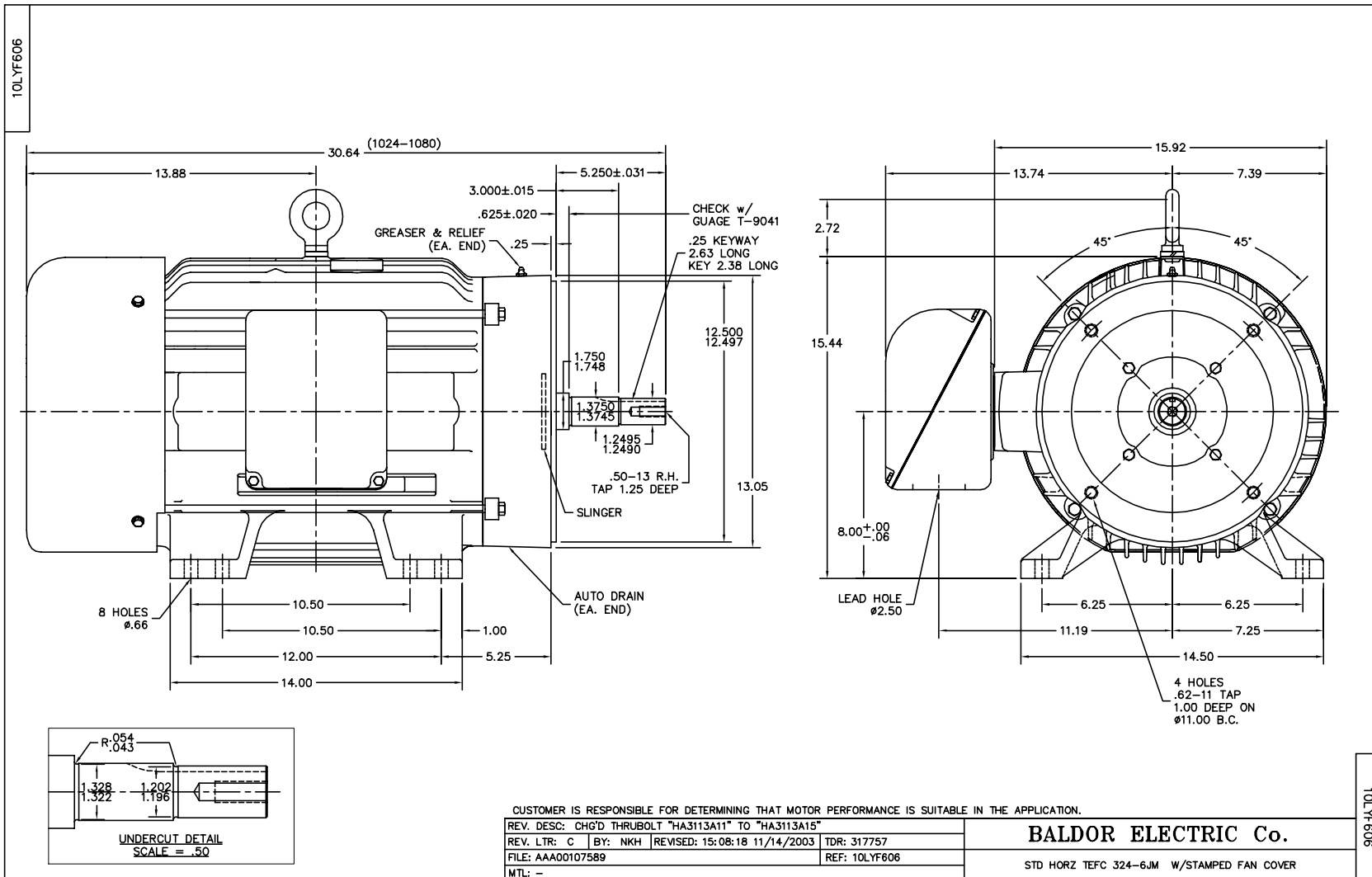
| Parts List (continued) | | |
|------------------------|--|----------|
| Part Number | Description | Quantity |
| NP1256L | ALUM UL CSA CC | 1.000 EA |
| 12PA1000 | PACKAGING GROUP COMBINED PRINT PK1024A06 | 1.000 EA |

Performance Data at 460V, 60Hz, 40.0HP (Typical performance - Not guaranteed values)

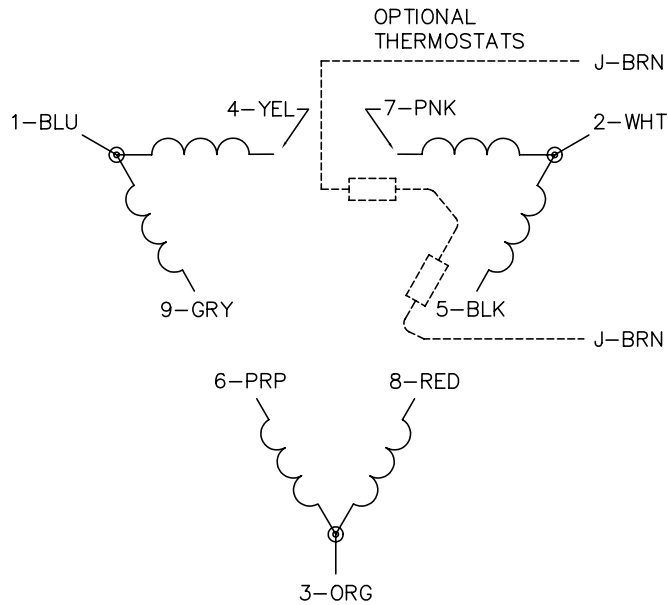
| General Characteristics | | | | | | | |
|--------------------------|---------------------------------|--------|--------|----------------------|-------------|--------|--------|
| Full Load Torque: | 119.0 LB-FT | | | Start Configuration: | DOL | | |
| No-Load Current: | 17.3 Amps | | | Break-Down Torque: | 353.0 LB-FT | | |
| Line-line Res. @ 25°C.: | 0.165 Ohms A Ph / 0.0 Ohms B Ph | | | Pull-Up Torque: | 147.1 LB-FT | | |
| Temp. Rise @ Rated Load: | 71 C | | | Locked-Rotor Torque: | 199.3 LB-FT | | |
| Temp. Rise @ S.F. Load: | 95 C | | | Starting Current: | 300.0 Amps | | |
| Load Characteristics | | | | | | | |
| % of Rated Load | 25 | 50 | 75 | 100 | 125 | 150 | S.F. |
| Power Factor: | 51.0 | 73.0 | 81.0 | 85.0 | 87.0 | 87.0 | 86.0 |
| Efficiency: | 89.5 | 93.1 | 93.7 | 93.4 | 92.8 | 92.0 | 93.0 |
| Speed: | 1792.0 | 1785.0 | 1778.0 | 1770.0 | 1761.0 | 1753.0 | 1765.0 |
| Line Amperes: | 20.3 | 27.2 | 36.7 | 47.2 | 58.4 | 70.1 | 53.9 |

Performance Graph at 460V, 60Hz, 40.0HP Typical performance - Not guaranteed values

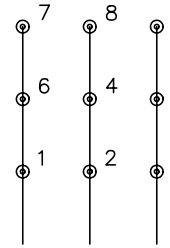




CD0180

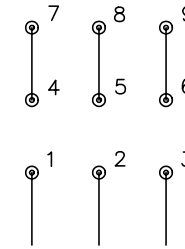


LOW VOLTAGE
(2D)



LINE

HIGH VOLTAGE
(1D)



LINE

NOTES:

1. INTERCHANGE ANY TWO LINE LEADS TO REVERSE ROTATION.
2. OPTIONAL THERMOSTATS ARE PROVIDED WHEN SPECIFIED.
3. ACTUAL NUMBER OF INTERNAL PARALLEL CIRCUITS MAY BE A MULTIPLE OF THOSE SHOWN ABOVE.
4. LEAD COLORS ARE OPTIONAL. LEADS MUST ALWAYS BE NUMBERED AS SHOWN.

| | | | |
|---|---------|------------------------|--------------|
| REV. DESC: REVISE TO SHOW OPTIONAL COLORS | | | |
| REV. LTR: C | BY: JLP | REVISED: 01/21/99 2:28 | TDR: 0171435 |
| 0810D0 | | FILE: AAA00005148 | MDL: - |
| | | MTL: - | |

BALDOR ELECTRIC Co.

3PH, DV, 9 LEADS, DELTA CONNECTION

CD0180