

BALDOR® • RELIANCE

Product Information Packet

JPL1409T

5HP,3500RPM,1PH,60HZ,184,JP,3634LC,OPEN

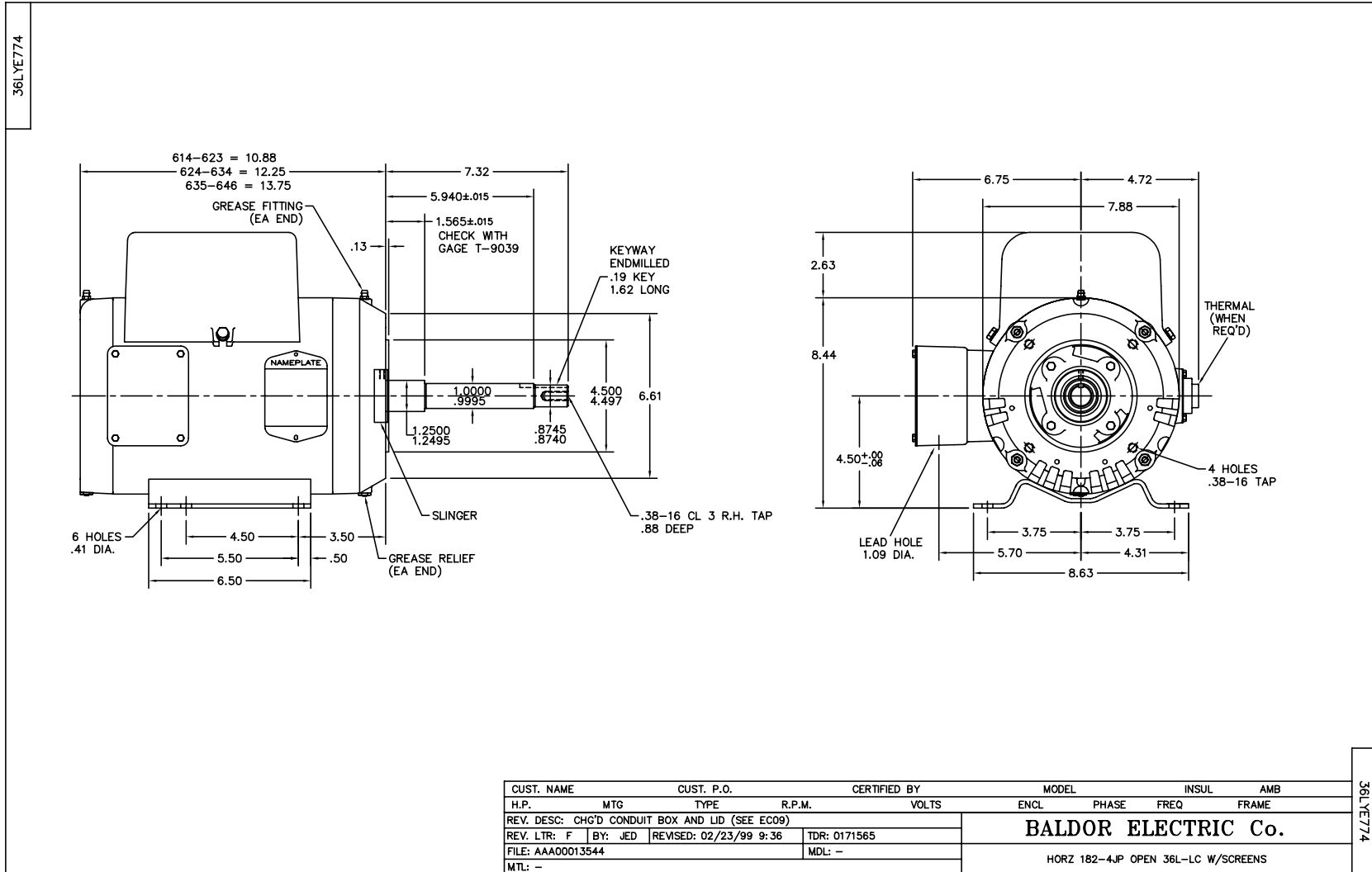
Copyright © All product information within this document is subject to Baldor Electric Company copyright © protection, unless otherwise noted.

Part Detail							
Revision:	G	Status:	PRD/A	Change #:		Proprietary:	No
Type:	AC	Prod. Type:	3634LC	Elec. Spec:	36WGW925	CD Diagram:	
Enclosure:	OPEN	Mfg Plant:		Mech. Spec:	36E774	Layout:	
Frame:	184JP	Mounting:	F1	Poles:	02	Created Date:	11-10-2005
Base:	RG	Rotation:	R	Insulation:	F	Eff. Date:	05-06-2011
Leads:	2#12 A PH,2#16 B PH	Literature:		Elec. Diagram:		Replaced By:	

Nameplate NP1256L									
CAT.NO.	JPL1409T								
SPEC.	36E774W925G1								
HP	5								
VOLTS	230								
AMP	21.5								
RPM	3500								
FRAME	184JP	HZ	60	PH	1				
SER.F.	1.15	CODE	H	DES	L	CLASS	F		
NEMA-NOM-EFF	80	PF	96						
RATING	40C AMB-CONT								
CC			USABLE AT 208V	23					
DE	6207	ODE	6205						
ENCL	OPEN	SN							

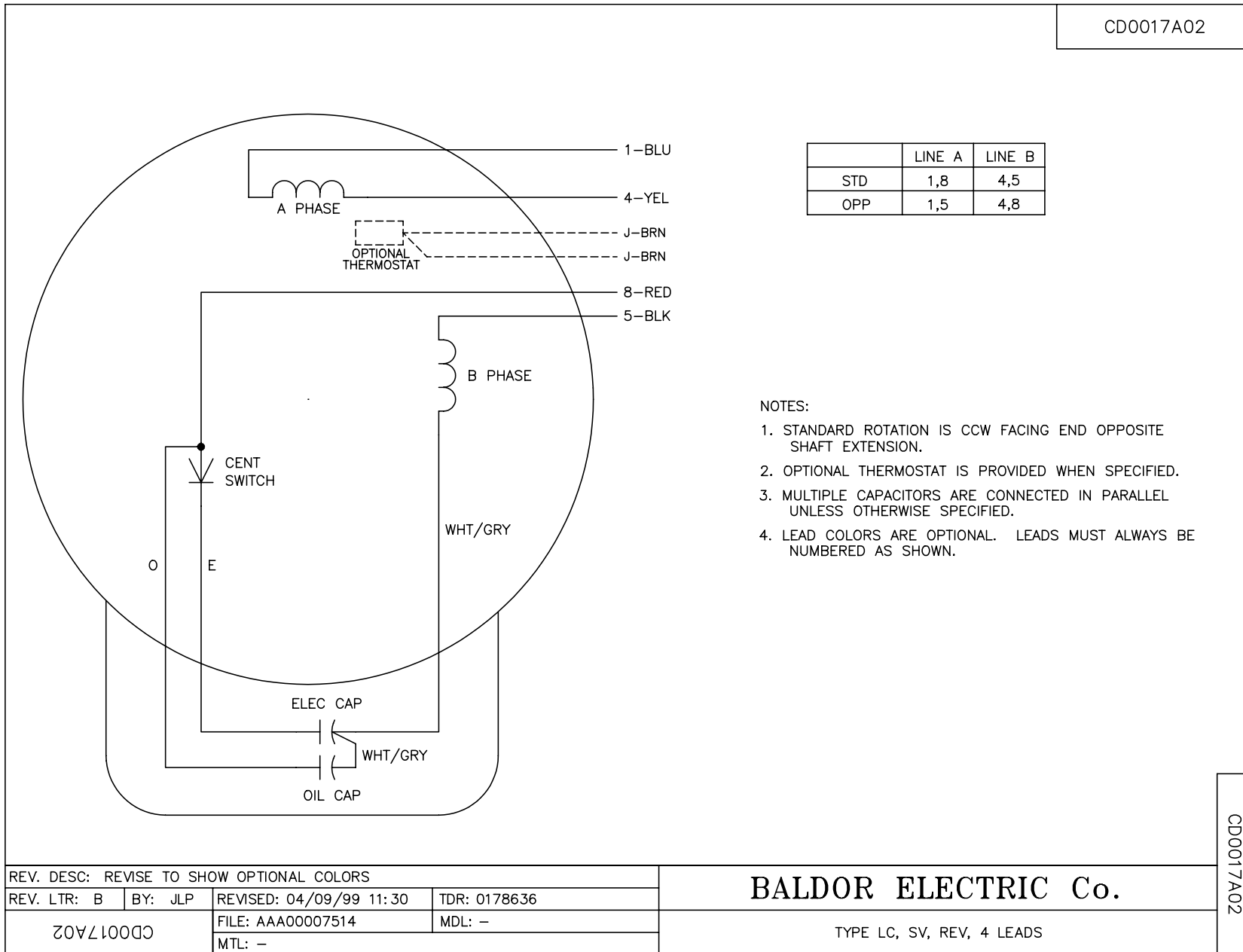
Parts List		
Part Number	Description	Quantity
SA135872	SA 36E774W925G1	1.000 EA
RA125580	RA 36E774W925G1	1.000 EA
36CB3004	36 CB CASTING W/1.09 DIA LEAD HOLE @ 6:0	1.000 EA
51XB1016A08	10-16X 1/2HXWSSLD SERTYB	2.000 EA
11XW1032G06	10-32 X .38, TAPTITE II, HEX WSHR SLTD U	1.000 EA
HW3001B01	003SS CUP WASHER, FOR #8 SCREW	1.000 EA
36EP3200A25	FR ENDPLATE, MACH	1.000 EA
HW4500A01	1641B(ALEMITE)400 UNIV, GREASE FITT	1.000 EA
HW4500A17	317400 ALEMITE GREASE RELIEF	1.000 EA
HA1103A08	RODENT SCREEN, 36 FRAME, OPEN, FRONT END	1.000 EA
51XW1032A06	10-32 X .38, TAPTITE II, HEX WSHR SLTD S	4.000 EA
HW1000A10	#10 FLAT WASHER (SAE)	4.000 EA
SP1008A01	BAFFLE, MODEL 36 & 37	1.000 EA
13XF0832A08	8-32 X.50 PAN HD,SLTD, TYPE F SCREW, ZIN	2.000 EA
10XN2520A12	O1/4-20X 3/4 HEX HEAD CAP	2.000 EA
HW5100A05	WVY WSHR F/205 & 304 BRGS	1.000 EA
36EP1402A16	SPL.FACE MTD.EP.36 FR-OPEN-207 BRG/GREAS	1.000 EA
36AD2000	AIR BAFFLE	1.000 EA
60XW0632A06	6-32 X 3/8 TORX HEAD SCREW TAPTITE II	4.000 EA
HW4500A01	1641B(ALEMITE)400 UNIV, GREASE FITT	1.000 EA
HW4500A17	317400 ALEMITE GREASE RELIEF	1.000 EA
HA1102A07	RODENT SCREEN 36 OPEN FACE	2.000 EA
HW1000A10	#10 FLAT WASHER (SAE)	4.000 EA
10XN2520A26	1/4-20X 1 5/8 HEX HD	4.000 EA

Parts List (continued)		
Part Number	Description	Quantity
HW1001A25	LOCKWASHER 1/4, ZINC PLT .493 OD, .255 I	4.000 EA
36CB4516	36 LIPPED CB LID	1.000 EA
51XW0832A07	8-32 X .44, TAPTITE II, HEX WSHR SLTD SE	4.000 EA
HA2009A01	36-4613 SL ANOD. ALUM (STER	1.000 EA
80XN1032A06	10-32 X 3/8 SET SC HEX SOCK	1.000 EA
HW2501D13SP	KEY, 3/16 SQ X 1.375	1.000 EA
HA7000A01	KEY RETAINER 7/8" DIA SHAFT	1.000 EA
85XU0407S04	4X1/4 U DRIVE PIN STAINLESS	2.000 EA
MJ1000A75	GREASE, POLYREX EM EXXON	0.050 LB
MG1000G27	PAINT- S9282E CHARCOAL GREY	0.022 GA
SP5064A01	MODEL 36 TYPE LC STATIONARY SWITCH LEAD	1.000 EA
HA3101A25	THRUBOLT 1/4-20 X 11.000 OHIO ROD	4.000 EA
36CB5005A04	CAPACITOR BOX KIT, 36CB3800, OC3035F09,	1.000 EA
LB1119	WARNING LABEL	1.000 EA
LB1125C01	STD (STOCK) CARTON LABEL BALDOR WITH FLA	1.000 EA
LC0017	CONN LABEL-1 PHASE-SINGLE VOLT-REV ROTNO	1.000 EA
NP1256L	ALUM UL CSA CC	1.000 EA
36PA1001	PACKAGING GROUP	1.000 EA



CUST. NAME	CUST. P.O.	CERTIFIED BY	MODEL	INSUL	AMB
H.P.	MTG	TYPE	R.P.M.	VOLTS	ENCL PHASE FREQ FRAME
REV. DESC: CHG'D CONDUIT BOX AND LID (SEE EC09)			BALDOR ELECTRIC Co.		
REV. LTR: F	BY: JED	REVISED: 02/23/99 9:36	TDR: 0171565	MDL: -	
FILE: AAA00013544	HORZ 182-4JP OPEN 36L-LC W/SCREENS				
MTL: -					

CD0017A02



CD0017A02

REV. DESC: REVISE TO SHOW OPTIONAL COLORS			
REV. LTR: B	BY: JLP	REVISED: 04/09/99 11:30	TDR: 0178636
CD0017A02		FILE: AAA00007514	MDL: -
		MTL: -	

BALDOR ELECTRIC Co.

TYPE LC, SV, REV, 4 LEADS