

BALDOR® • RELIANCE

Product Information Packet

KL1203

.25HP,1725RPM,1PH,60HZ,56C,3411L,OPEN,F1

Copyright © All product information within this document is subject to Baldor Electric Company copyright © protection, unless otherwise noted.

Part Detail							
Revision:	W	Status:	PRD/A	Change #:		Proprietary:	No
Type:	AC	Prod. Type:	3411L	Elec. Spec:	34WG5506	CD Diagram:	
Enclosure:	OPEN	Mfg Plant:		Mech. Spec:	34F011	Layout:	
Frame:	56C	Mounting:	F1	Poles:	04	Created Date:	
Base:	N	Rotation:	R	Insulation:	B	Eff. Date:	11-04-2011
Leads:	6#18	Literature:		Elec. Diagram:		Replaced By:	

Nameplate NP1256L									
CAT.NO.	KL1203								
SPEC.	34F11-5506								
HP	.25								
VOLTS	115/230								
AMP	5/2.5								
RPM	1725								
FRAME	56C	HZ	60	PH	1				
SER.F.	1.35	CODE	L	DES	N	CLASS	B		
NEMA-NOM-EFF	55	PF	57						
RATING	40C AMB-CONT								
CC				USABLE AT 208V	3				
DE	6203	ODE	6203						
ENCL	OPEN	SN							
	SFA 5.6/2.8								

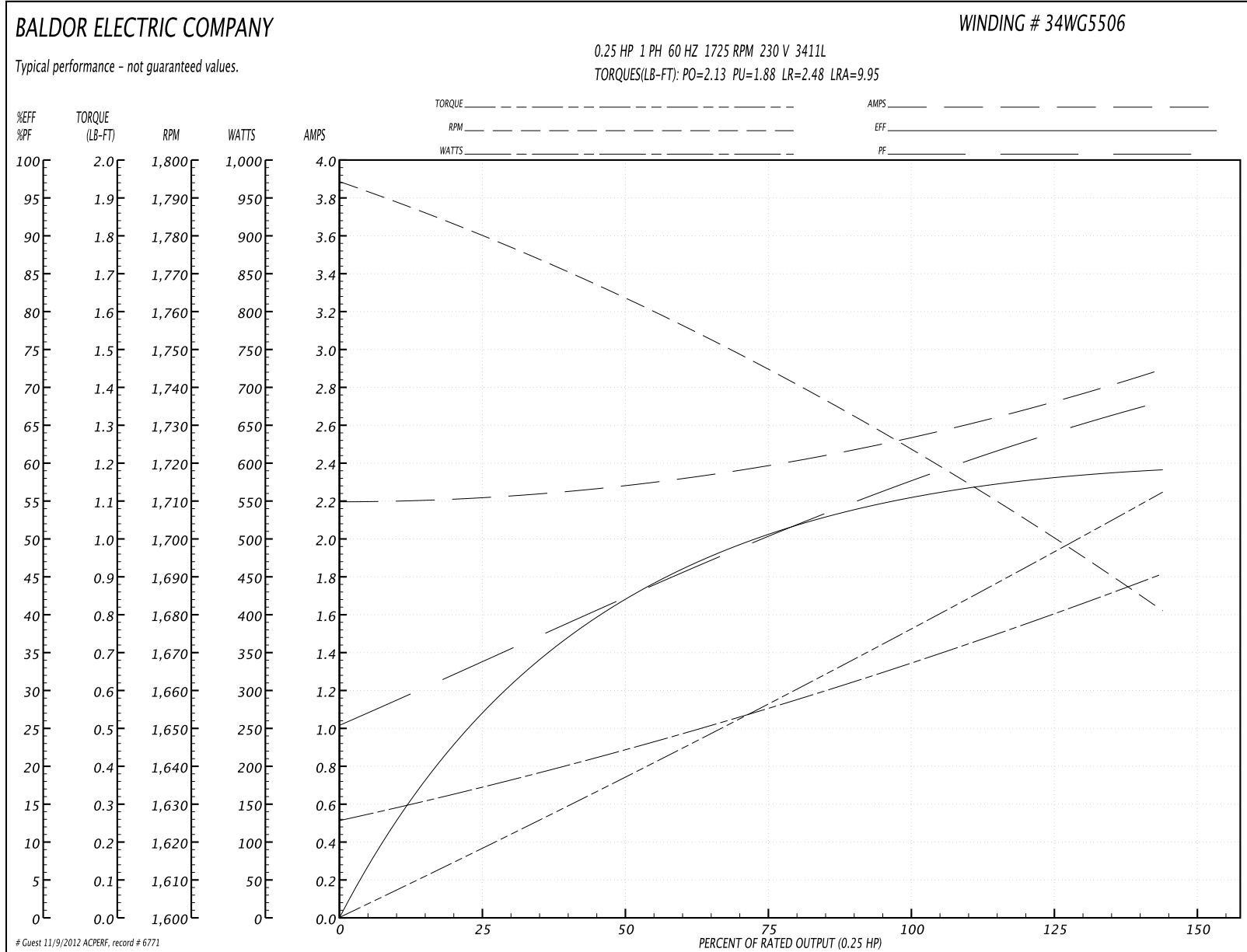
Parts List		
Part Number	Description	Quantity
SA009966	SA 34F11-5506	1.000 EA
RA006411	RA 34F11-5506	1.000 EA
EC1161A02	BMI 091A161B125AD2A ELEC CAP 115V 1.4 X	1.000 EA
NS2512A01	INSULATOR, CONDUIT BOX X	1.000 EA
34CB3002A	CB CAST W/.88 DIA HOLE	1.000 EA
51XB1016A07	10-16 X 7/16 HXWSSLD SERTYB	2.000 EA
11XW1032G06	10-32 X .38, TAPTITE II, HEX WSHR SLTD U	1.000 EA
51XW0832A07	8-32 X .44, TAPTITE II, HEX WSHR SLTD SE	2.000 EA
SP1006A01	TERM. BOARD, MODE 35 SW X H-23655	1.000 EA
34EP3210A03SP	FR ENDPLATE, MACH	1.000 EA
NS2500A01	INSULATOR, AUTO THER PROT	1.000 EA
34CB4800SP	CAPACITOR COVER, STAMPED	1.000 EA
51XB1016A05	10-16X5/16HX WA SL SR TYB (F/S)	2.000 EA
HW5100A03SP	WAVY WASHER (W1543-017)	1.000 EA
34EP3401A01SP	PU ENDPLATE, MACH	1.000 EA
51XN1032A20	10-32 X 1 1/4 HX WS SL SR	2.000 EA
34AD2000	BAFFLE PLATE, STAMPED	1.000 EA
51XT0632A06	6-32X3/8 TY23 HXWS SLDSR	4.000 EA
34FH4000A11	DRIP COVER, STAMPED	1.000 EA
51XW1032A06	10-32 X .38, TAPTITE II, HEX WSHR SLTD S	3.000 EA
34CB4517	CB LID 4 MTG HOLES .22 DIA STAMPED, FOR	1.000 EA
51XW0832A07	8-32 X .44, TAPTITE II, HEX WSHR SLTD SE	4.000 EA
HW2501D13SP	KEY, 3/16 SQ X 1.375	1.000 EA
HA7000A04	KEY RETAINER 0.625 DIA SHAFTS	1.000 EA

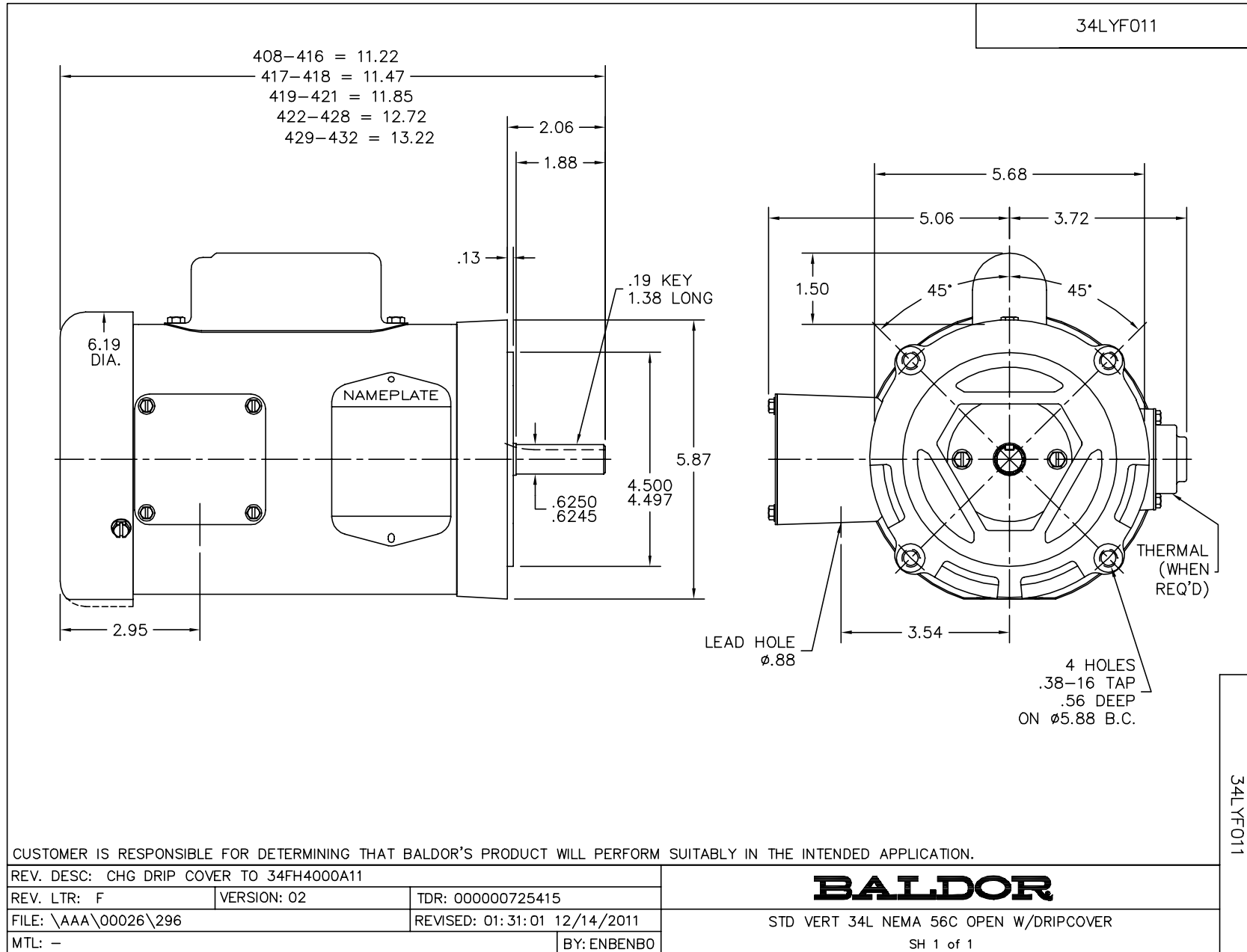
Parts List (continued)		
Part Number	Description	Quantity
MG1000G27	PAINT- S9282E CHARCOAL GREY	0.014 GA
10XF0440S02	04-40 X 1/8 TYPE F HEX HD STAINLESS STIC	2.000 EA
SP5056A24	MODEL 34 TYPE L STATIONARY SWITCH WITH L	1.000 EA
HA3100A12	THRUBOLT 10-32 X 7.375	4.000 EA
LB1125C01	STD (STOCK) CARTON LABEL BALDOR WITH FLA	1.000 EA
LC0001A01	CONN LABEL / WARNING LABEL (LC0001 / LB1	1.000 EA
NP1256L	ALUM UL CSA CC	1.000 EA
34PA1002	PACKING GROUP, BALDOR	1.000 EA
PK3083T	STYROFOAM PACKING CRADLE W/TAPE	1.000 EA

Performance Data at 230V, 60Hz, 0.25HP (Typical performance - Not guaranteed values)

General Characteristics							
Full Load Torque:	0.75 LB-FT			Start Configuration:	DOL		
No-Load Current:	2.2 Amps			Break-Down Torque:	2.13 LB-FT		
Line-line Res. @ 25°C.:	8.88 Ohms A Ph / 7.06 Ohms B Ph			Pull-Up Torque:	1.88 LB-FT		
Temp. Rise @ Rated Load:	42 C			Locked-Rotor Torque:	2.48 LB-FT		
Temp. Rise @ S.F. Load:	50 C			Starting Current:	9.95 Amps		
Load Characteristics							
% of Rated Load	25	50	75	100	125	150	S.F.
Power Factor:	31.0	40.0	49.0	57.0	63.0	69.0	67.0
Efficiency:	27.0	42.0	51.0	55.0	58.0	59.0	59.0
Speed:	1779.0	1763.0	1745.0	1725.0	1705.0	1680.0	1690.0
Line Amperes:	2.2	2.3	2.4	2.5	2.7	2.9	2.8

Performance Graph at 230V, 60Hz, 0.25HP Typical performance - Not guaranteed values





CD0001



NOTES:

1. STANDARD ROTATION IS CCW FACING END OPPOSITE SHAFT EXTENSION.
2. OPTIONAL THERMOSTAT IS PROVIDED WHEN SPECIFIED.
3. MULTIPLE CAPACITORS ARE CONNECTED IN PARALLEL UNLESS OTHERWISE SPECIFIED.
4. LEAD COLORS ARE OPTIONAL. LEADS MUST ALWAYS BE NUMBERED AS SHOWN.

CD0001

REV. DESC: REVISE TO SHOW OPTIONAL COLORS			
REV. LTR: D	BY: JLP	REVISED: 04/08/99 1:16	TDR: 0178636
100000		FILE: AAA00007405	MDL: -
		MTL: -	

BALDOR ELECTRIC Co.

TYPE L, DV, REV, 6 LEADS