

BALDOR® • RELIANCE

Product Information Packet

L1177T

15HP, 1760RPM, 1PH, 60HZ, 254T, 0956LC, TEFC

Copyright © All product information within this document is subject to Baldor Electric Company copyright © protection, unless otherwise noted.

Part Detail							
Revision:	T	Status:	PRD/A	Change #:		Proprietary:	No
Type:	AC	Prod. Type:	0956LC	Elec. Spec:	09WGZ143	CD Diagram:	
Enclosure:	TEFC	Mfg Plant:		Mech. Spec:	09G373	Layout:	
Frame:	254T	Mounting:	F1	Poles:	04	Created Date:	11-18-2005
Base:	RG	Rotation:	R	Insulation:	F	Eff. Date:	02-24-2012
Leads:	2#6 A PH 12" long,2#12	Literature:	Y	Elec. Diagram:		Replaced By:	

Nameplate NP1256L									
CAT.NO.	L1177T								
SPEC.	09G373Z143G1								
HP	15								
VOLTS	230								
AMP	60								
RPM	1760								
FRAME	254T	HZ			60	PH	1		
SER.F.	1.00	CODE			E	DES	L	CLASS	F
NEMA-NOM-EFF	86.5	PF			96				
RATING	40C AMB-CONT								
CC				USABLE AT 208V					
DE	6309	ODE			6307				
ENCL	TEFC	SN							

Parts List		
Part Number	Description	Quantity
SA135806	SA 09G373Z143G1	1.000 EA
RA125532	RA 09G373Z143G1	1.000 EA
OC3050F09SP	CYL OIL CAP 50MFD/370V	2.000 EA
RE0045A00	RELAY,GE #CR453CB2BAA, 100 AMP	1.000 EA
EC1216C06SP	ELEC CAP, 216-259 MFD, 250V, 2.06D X 4.	4.000 EA
09CB3801A01	SPL CAPACITOR BOX ADAPTER	1.000 EA
09GS1003	ADAPTER GASKET MODEL 309 MOTORS	1.000 EA
10XN2520K16	1/4-20 X 1" HX HD SCRW GRADE 5, ZINC P	4.000 EA
10XN2520K12	1/4-20 X.75 GRD 5	2.000 EA
10XN2520K10	1/4-20 X 5/8" HX HD SCRW.GRADE 5, XINC P	2.000 EA
HW1001A25	LOCKWASHER 1/4, ZINC PLT .493 OD, .255 I	4.000 EA
HA6003A45	CAPAC CLAMP - CLIP (WHITE ZINC PLATED)	2.000 EA
HA6003A47	CAPAC CLAMP	1.000 EA
HA7419	SPL BRACKET FOR MTG. CONTACT TO SINGLE P	1.000 EA
51XB1016A08	10-16X 1/2HXWSSLD SERTYB	2.000 EA
51XW1032A06	10-32 X .38, TAPTITE II, HEX WSHR SLTD S	7.000 EA
11XW1032G06	10-32 X .38, TAPTITE II, HEX WSHR SLTD U	1.000 EA
WD1000B25	BURNDY TERMINAL L125HP	1.000 EA
WD1000D90	90 DEG INSUL. FLAG TERMINAL RC2577FM	2.000 EA
51XW2520A12	.25-20 X .75, TAPTITE II, HEX WSHR SLTD	4.000 EA
WD1000A03	41531 AMP FLG.TERM,4M/REEL(2.5MIL)	30.000 EA
WD1000D101	TRM,RT ANG FLAG,T&B #C10-250A,12-10 GA.	1.000 EA
SP5165	MODEL 39 DOUBLE ARM STATIONARY SWITCH	1.000 EA
51XW0832A07	8-32 X .44, TAPTITE II, HEX WSHR SLTD SE	2.000 EA

Parts List (continued)		
Part Number	Description	Quantity
NS2605	SWITCH INSULATOR 09 FRAME	1.000 EA
09EP1100A120	ENDPLATE, MACH	1.000 EA
HW5100A08	W3118-035 WVY WSHR (WB)	1.000 EA
10XN2520K36	1/4-20 X 2.25" HX HD SCRWGRADE 5, ZINC P	4.000 EA
HW1001A25	LOCKWASHER 1/4, ZINC PLT .493 OD, .255 I	4.000 EA
HW1001A25	LOCKWASHER 1/4, ZINC PLT .493 OD, .255 I	4.000 EA
37CB3804A43	CONDUIT BOX MACH.	1.000 EA
37GS3015	GASKET, CAPAC BOX	1.000 EA
09EP1101A11SP	PU ENDPLATE, MACH	1.000 EA
HA4001A01SP	DRAIN PLUG, PLASTIC (MICRO PLAS)	1.000 EA
HW4600B44SP	V-RING SLINGER 1.500 X 2.290 X 0.280	1.000 EA
HA3113A02	THRUBOLT 3/8-16 X 16.750	4.000 EA
XY3816A12	3/8-16 FINISHED NUT	4.000 EA
HW1001A38	LOCKWASHER 3/8, ZINC PLT .688 OD, .382 I	4.000 EA
09FH4000SP	FAN COVER, STAMPED	1.000 EA
HA2081A05	SPACER TUBE, 309 FAN HSG, 2.00 LONG	4.000 EA
XY3816A12	3/8-16 FINISHED NUT	4.000 EA
HW1001A38	LOCKWASHER 3/8, ZINC PLT .688 OD, .382 I	4.000 EA
37CB4509	CAPAC BOX LID, STAMPED	1.000 EA
37GS3016	GASKET, CAPAC BOX LID	1.000 EA
51XW0832A07	8-32 X .44, TAPTITE II, HEX WSHR SLTD SE	6.000 EA
HW2501G25	KEY, 3/8 SQ X 2.875	1.000 EA
LB1115	LABEL,LIFTING DEVICE	1.000 EA
LB5040	INSTRUCTION TAG, AC & DC	1.000 EA

Parts List (continued)		
Part Number	Description	Quantity
HW4500A05	1669B ALEM/UNIV860 GR FTG X	1.000 EA
HW4500A17	317400 ALEMITE GREASE RELIEF	1.000 EA
HA4051A00	PLASTIC CAP FOR GREASE FITTING	1.000 EA
09FN2001A02	EXTERNAL FAN, MACH	1.000 EA
HA4001A01SP	DRAIN PLUG, PLASTIC (MICRO PLAS)	1.000 EA
MJ1000A75	GREASE, POLYREX EM EXXON	0.080 LB
HW4500A03	GREASE FITTING, .125 NPT 1610(ALEMITE) 8	1.000 EA
HW4500A17	317400 ALEMITE GREASE RELIEF	1.000 EA
HA4051A00	PLASTIC CAP FOR GREASE FITTING	1.000 EA
80XN3816A08	3/8-16X1/2 SET SCREW SAME A	1.000 EA
MG1000G27	PAINT- S9282E CHARCOAL GREY	0.050 GA
85XU0407A04	#4-7 X 1/4 DRIVE PIN	2.000 EA
LB1119	WARNING LABEL	1.000 EA
LB1125C01	STD (STOCK) CARTON LABEL BALDOR WITH FLA	4.000 EA
LC0017	CONN LABEL-1 PHASE-SINGLE VOLT-REV ROTNO	1.000 EA
NP1256L	ALUM UL CSA CC	1.000 EA
40PA1005	PACKAGING GROUP, 09 STD	1.000 EA

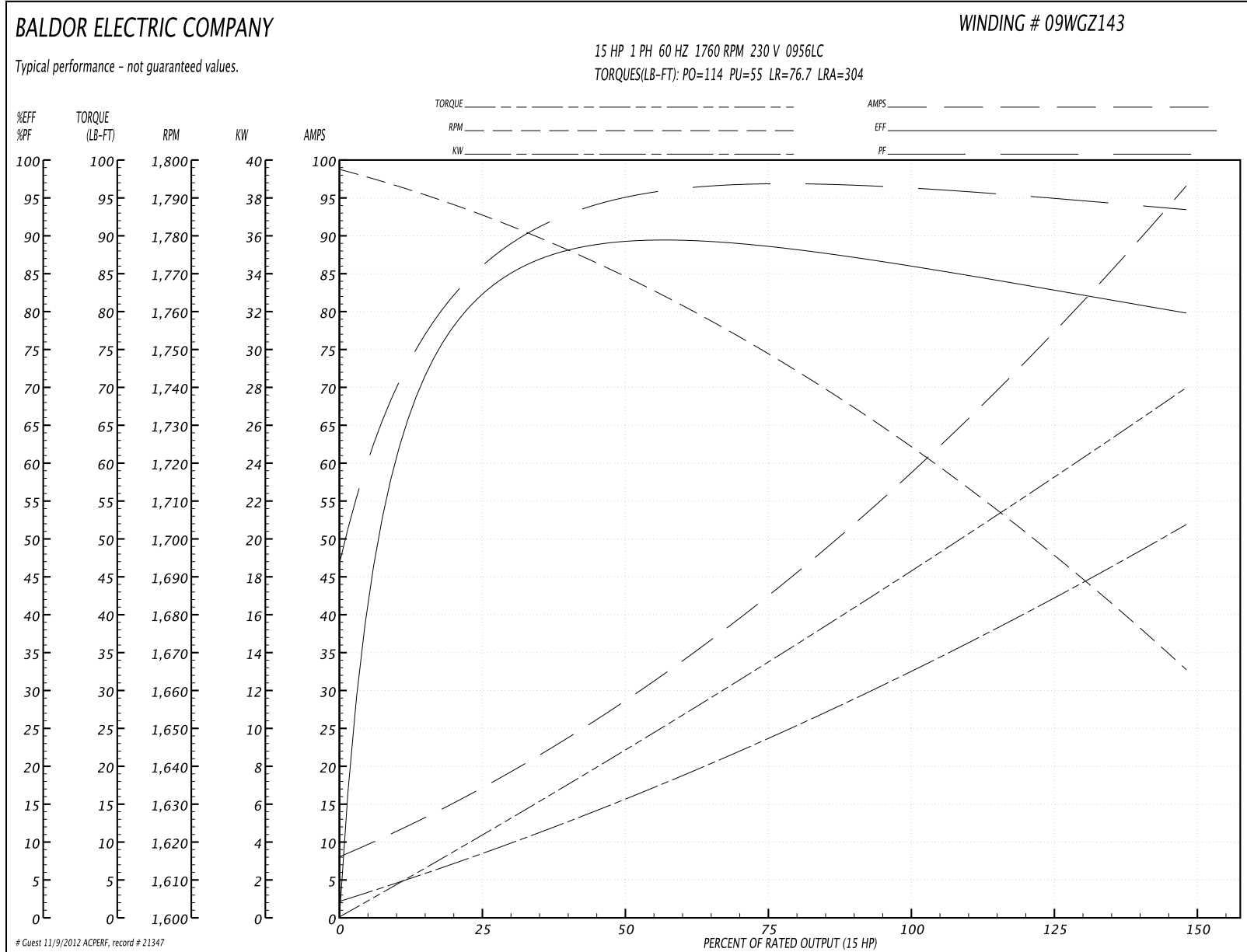
Accessories		
Part Number	Description	Multiplier
09-1309	C FACE KIT (kit may require RB3001A01)	A8

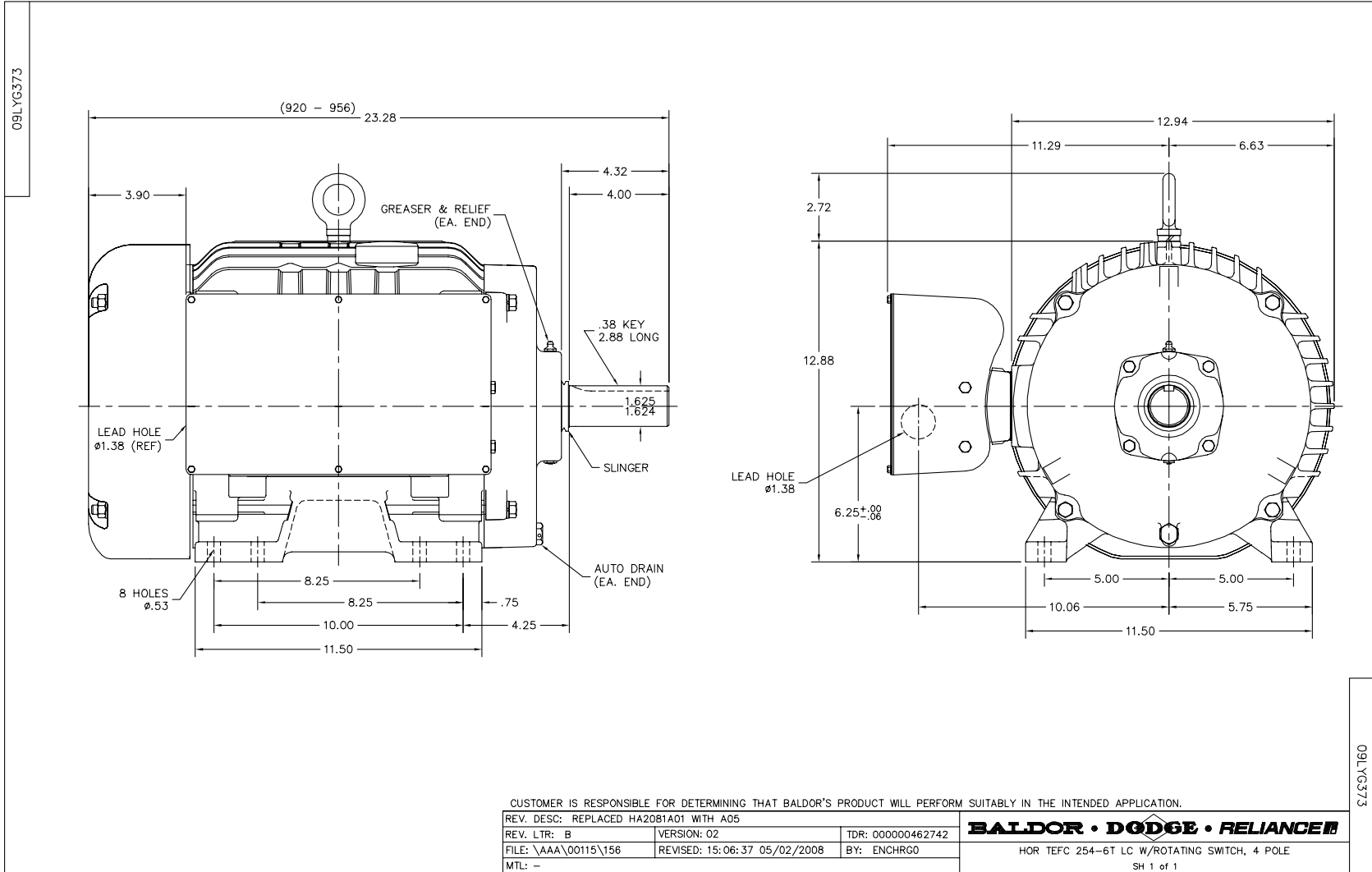
Performance Data at 230V, 60Hz, 15.0HP (Typical performance - Not guaranteed values)

General Characteristics			
Full Load Torque:	45.3 LB-FT	Start Configuration:	DOL
No-Load Current:	7.93 Amps	Break-Down Torque:	114.0 LB-FT
Line-line Res. @ 25°C.:	0.11 Ohms A Ph / 0.415 Ohms B Ph	Pull-Up Torque:	55.0 LB-FT
Temp. Rise @ Rated Load:	80 C	Locked-Rotor Torque:	76.7 LB-FT
Temp. Rise @ S.F. Load:		Starting Current:	304.0 Amps

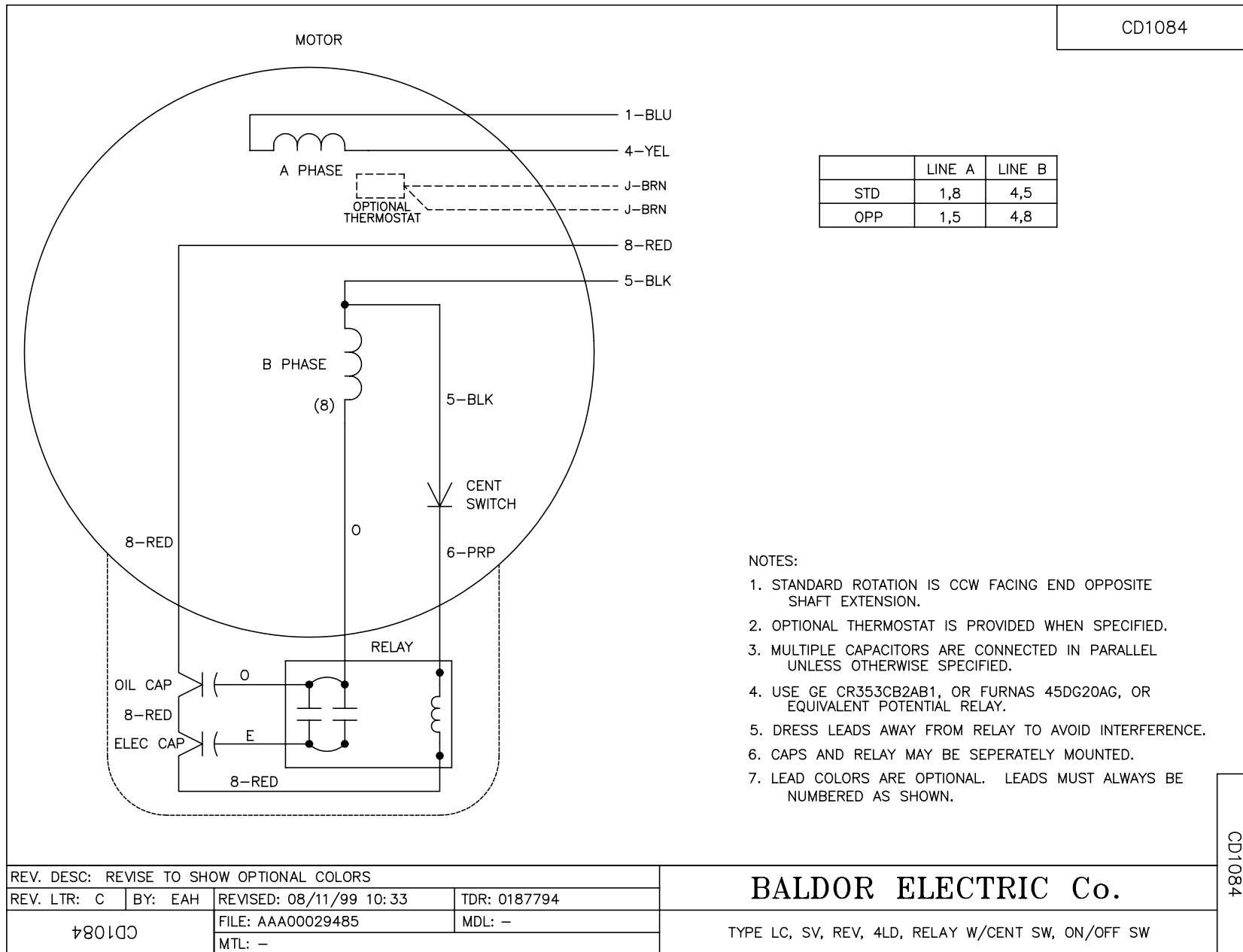
Load Characteristics							
% of Rated Load	25	50	75	100	125	150	S.F.
Power Factor:	89.0	95.0	96.0	96.0	95.0	94.0	0.0
Efficiency:	80.5	87.6	88.3	86.9	83.8	79.3	0.0
Speed:	1784.0	1768.0	1749.0	1727.0	1698.0	1664.0	0.0
Line Amperes:	17.0	29.0	42.7	57.9	75.8	97.2	0.0

Performance Graph at 230V, 60Hz, 15.0HP Typical performance - Not guaranteed values





CD1084



REV. DESC: REVISE TO SHOW OPTIONAL COLORS			
REV. LTR: C	BY: EAH	REVISED: 08/11/99 10:33	TDR: 0187794
†801D0		FILE: AAA00029485	MDL: -
		MTL: -	

BALDOR ELECTRIC Co.

TYPE LC, SV, REV, 4LD, RELAY W/CENT SW, ON/OFF SW

CD1084