

# **BALDOR® • RELIANCE**

## **Product Information Packet**

### **L1304-50**

**.5HP, 1425RPM, 1PH, 50HZ, 56, 3424L, OPEN, F1**

Copyright © All product information within this document is subject to Baldor Electric Company copyright © protection, unless otherwise noted.

Part Detail									
Revision:	AB	Status:	PRD/A	Change #:		Proprietary:	No		
Type:	AC	Prod. Type:	3424L	Elec. Spec:	34WGW653	CD Diagram:			
Enclosure:	OPEN	Mfg Plant:		Mech. Spec:	34F005	Layout:			
Frame:	56	Mounting:	F1	Poles:	04	Created Date:			
Base:	RG	Rotation:	R	Insulation:	B	Eff. Date:	11-04-2011		
Leads:	6#18	Literature:		Elec. Diagram:		Replaced By:			
Nameplate NP1372L									
CAT.NO.	L1304-50								
SPEC.	34F05W653								
HP	.5								
VOLTS	110/220								
AMP	7.4/3.7								
RPM	1425 IP23								
FRAME	56	HZ	50			PH	1		
SER.F.	1.25	CODE	J			DES	N	CL	B
NEMA-NOM-EFF	62	PF	73						
RATING	40C AMB-CONT								
CC					USABLE AT 208V				
DE	6203	ODE	6203						
ENCL	OPEN	SN							
	SFA 8.6/4.3								

Parts List		
Part Number	Description	Quantity
SA007645	SA 34F05W653	1.000 EA
RA004032	RA 34F05W653	1.000 EA
NS2512A01	INSULATOR, CONDUIT BOX X	1.000 EA
34CB3002A	CB CAST W/.88 DIA HOLE	1.000 EA
51XB1016A07	10-16 X 7/16 HXWSSLD SERTYB	2.000 EA
11XW1032G06	10-32 X .38, TAPTITE II, HEX WSHR SLTD U	1.000 EA
51XW0832A07	8-32 X .44, TAPTITE II, HEX WSHR SLTD SE	2.000 EA
SP1006A01	TERM. BOARD, MODE 35 SW X H-23655	1.000 EA
34EP3210A01SP	FR ENDPLATE, MACH	1.000 EA
NS2500A01	INSULATOR, AUTO THER PROT	1.000 EA
34CB4800SP	CAPACITOR COVER, STAMPED	1.000 EA
51XB1016A05	10-16X5/16HX WA SL SR TYB (F/S)	2.000 EA
HW5100A03SP	WAVY WASHER (W1543-017)	1.000 EA
34EP3212A24	PU ENDPLATE, MODEL 34 OPEN	1.000 EA
XY1032A02	10-32 HEX NUT DIRECTIONAL SERRATION	4.000 EA
34CB4517	CB LID 4 MTG HOLES .22 DIA STAMPED, FOR	1.000 EA
51XW0832A07	8-32 X .44, TAPTITE II, HEX WSHR SLTD SE	4.000 EA
HW2501D13SP	KEY, 3/16 SQ X 1.375	1.000 EA
HA7000A04	KEY RETAINER 0.625 DIA SHAFTS	1.000 EA
MG1000G27	PAINT- S9282E CHARCOAL GREY	0.014 GA
10XF0440S02	04-40 X 1/8 TYPE F HEX HD STAINLESS STIC	2.000 EA
EC1270A02SP	ELEC CAP, 270-324 MFD, 125V, 1.48D X 3.	1.000 EA
SP5056A24	MODEL 34 TYPE L STATIONARY SWITCH WITH L	1.000 EA
HA3100A45	THRUBOLT 10-32 X 8.875	4.000 EA

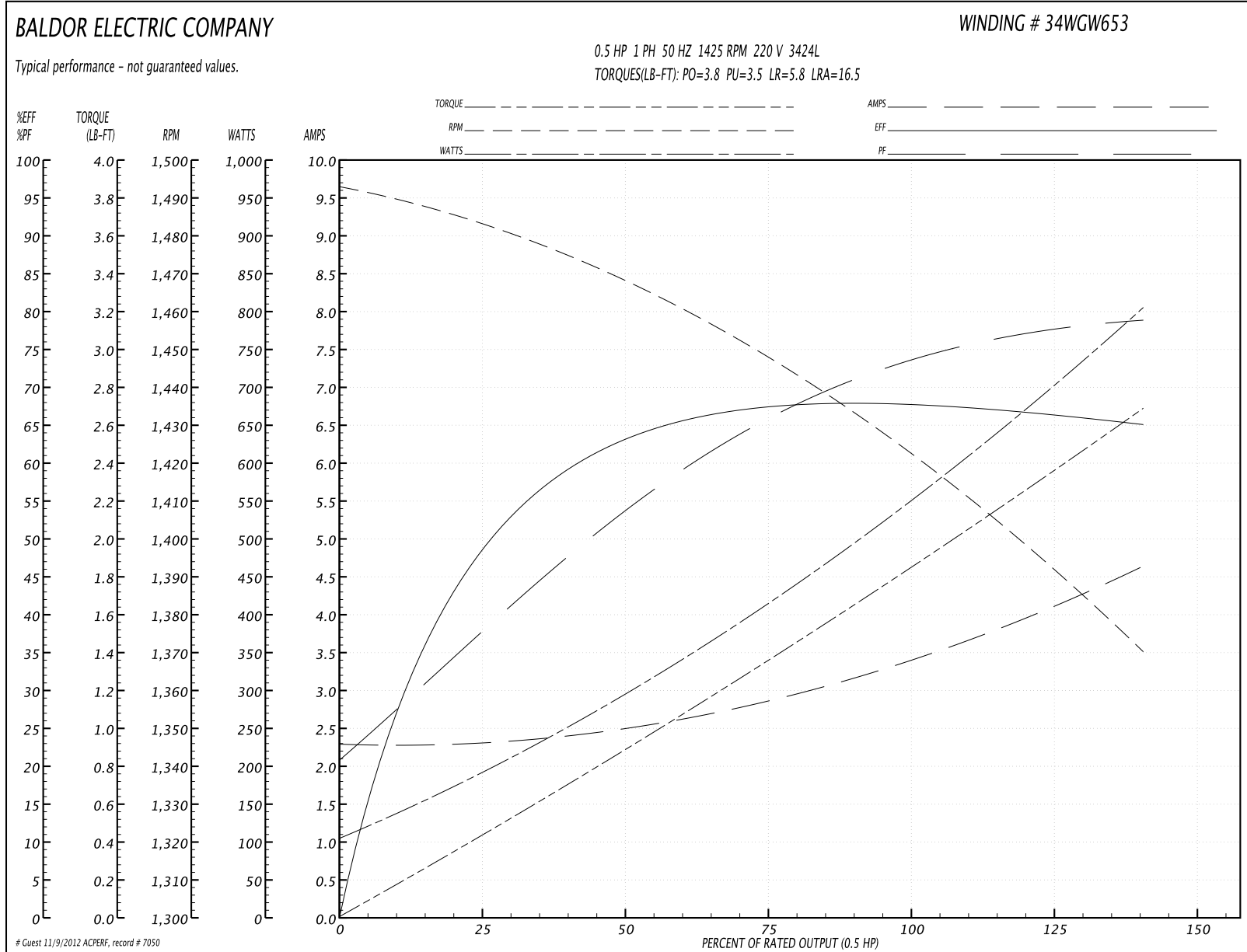
Parts List (continued)		
Part Number	Description	Quantity
LB1125C01	STD (STOCK) CARTON LABEL BALDOR WITH FLA	1.000 EA
LC0001A01	CONN LABEL / WARNING LABEL (LC0001 / LB1	1.000 EA
LB5040	INSTRUCTION TAG, AC & DC	1.000 EA
NP1372L	ALUM UL CSA CE CC	1.000 EA
34PA1002	PACKING GROUP, BALDOR	1.000 EA

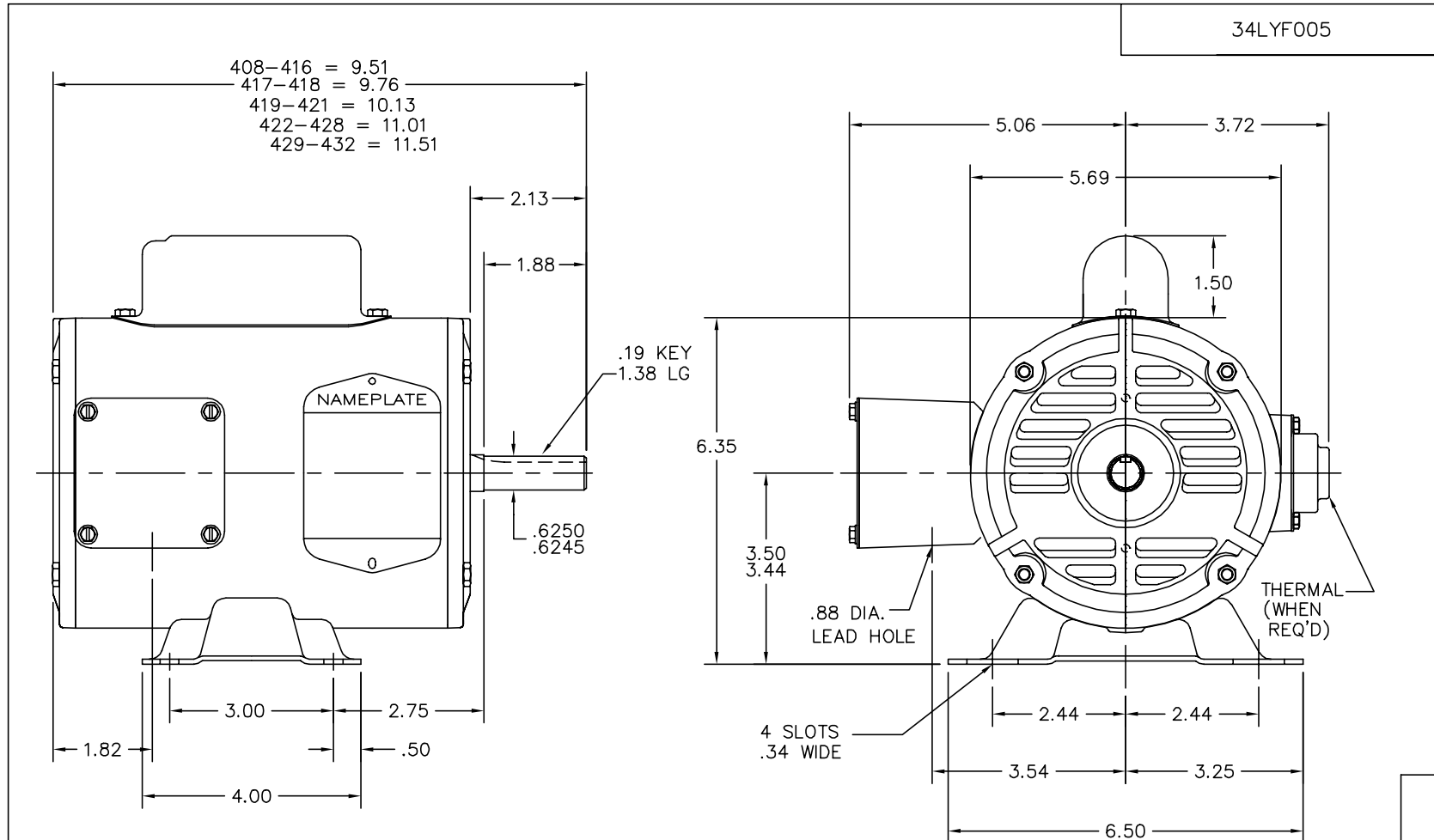
**Performance Data at 220V, 50Hz, 0.5HP (Typical performance - Not guaranteed values)**

General Characteristics			
Full Load Torque:	1.8 LB-FT	Start Configuration:	DOL
No-Load Current:	2.25 Amps	Break-Down Torque:	3.8 LB-FT
Line-line Res. @ 25°C.:	1.22 Ohms A Ph / 3.91 Ohms B Ph	Pull-Up Torque:	3.5 LB-FT
Temp. Rise @ Rated Load:	59 C	Locked-Rotor Torque:	5.8 LB-FT
Temp. Rise @ S.F. Load:	74 C	Starting Current:	16.5 Amps

Load Characteristics							
% of Rated Load	25	50	75	100	125	150	S.F.
Power Factor:	38.0	54.0	66.0	75.0	80.0	84.0	0.0
Efficiency:	47.5	61.9	67.3	68.7	67.6	64.4	0.0
Speed:	1481.0	1466.0	1448.0	1427.0	1402.0	1367.0	0.0
Line Amperes:	2.35	2.55	2.85	3.3	3.9	4.7	3.9

Performance Graph at 220V, 50Hz, 0.5HP Typical performance - Not guaranteed values





CUSTOMER IS RESPONSIBLE FOR DETERMINING THAT BALDOR'S PRODUCT WILL PERFORM SUITABLY IN THE INTENDED APPLICATION.

REV. DESC: NEW PUEP MACHINING TO GIVE INFN MORE ROOM		
REV. LTR: G	VERSION: 03	TDR: 000000570375
FILE: \AAA\00026\294		REVISED: 04: 45: 14 12/06/2010
MTL: -		BY: ENJERWO

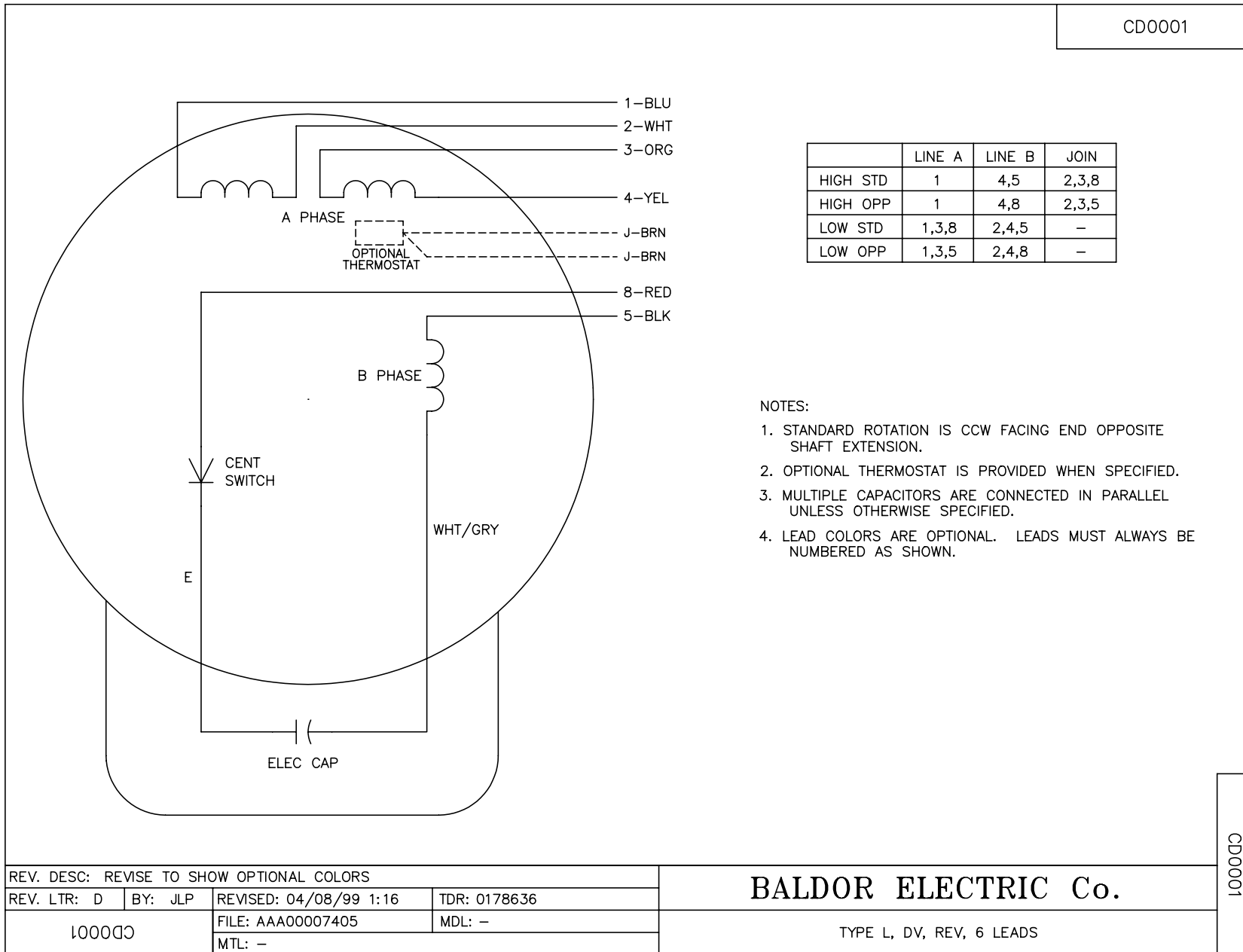
**BALDOR**

STD HORZ MODEL 34L NEMA 56 OPEN

SH 1 of 1

34LYF005

CD0001



NOTES:

1. STANDARD ROTATION IS CCW FACING END OPPOSITE SHAFT EXTENSION.
2. OPTIONAL THERMOSTAT IS PROVIDED WHEN SPECIFIED.
3. MULTIPLE CAPACITORS ARE CONNECTED IN PARALLEL UNLESS OTHERWISE SPECIFIED.
4. LEAD COLORS ARE OPTIONAL. LEADS MUST ALWAYS BE NUMBERED AS SHOWN.

CD0001

REV. DESC: REVISE TO SHOW OPTIONAL COLORS			
REV. LTR: D	BY: JLP	REVISED: 04/08/99 1:16	TDR: 0178636
100000		FILE: AAA00007405	MDL: -
		MTL: -	

**BALDOR ELECTRIC Co.**

TYPE L, DV, REV, 6 LEADS