

BALDOR® • RELIANCE

Product Information Packet

L1309-50

1HP,2850RPM,1PH,50HZ,56,3432L,OPEN,F1

Copyright © All product information within this document is subject to Baldor Electric Company copyright © protection, unless otherwise noted.

Part Detail							
Revision:	Z	Status:	PRD/A	Change #:		Proprietary:	No
Type:	AC	Prod. Type:	3432L	Elec. Spec:	34WGW655	CD Diagram:	
Enclosure:	OPEN	Mfg Plant:		Mech. Spec:	34F017	Layout:	
Frame:	56	Mounting:	F1	Poles:	02	Created Date:	
Base:	RG	Rotation:	R	Insulation:	B	Eff. Date:	11-04-2011
Leads:	4#16 A PH,2#18 B PH	Literature:		Elec. Diagram:		Replaced By:	

Nameplate NP1372L							
CAT.NO.	L1309-50						
SPEC.	34F17W655						
HP	1						
VOLTS	110/220						
AMP	12/6						
RPM	2850 IP23						
FRAME	56	HZ	50	PH	1		
SER.F.	1.25	CODE	H	DES	N	CL	B
NEMA-NOM-EFF	66	PF	83				
RATING	40C AMB-CONT						
CC				USABLE AT 208V			
DE	6203	ODE	6203				
ENCL	OPEN	SN					
	SFA 14.6/7.3						

Parts List		
Part Number	Description	Quantity
SA010015	SA 34F17W655	1.000 EA
RA006460	RA 34F17W655	1.000 EA
NS2512A01	INSULATOR, CONDUIT BOX X	1.000 EA
34CB3002A	CB CAST W/.88 DIA HOLE	1.000 EA
51XB1016A07	10-16 X 7/16 HXWSSLD SERTYB	2.000 EA
11XW1032G06	10-32 X .38, TAPTITE II, HEX WSHR SLTD U	1.000 EA
34EP3210A01SP	FR ENDPLATE, MACH	1.000 EA
51XW0832A07	8-32 X .44, TAPTITE II, HEX WSHR SLTD SE	2.000 EA
SP1006A01	TERM. BOARD, MODE 35 SW X H-23655	1.000 EA
NS2501A01	INSULATOR, CAPACITOR	1.000 EA
51XB1016A05	10-16X5/16HX WA SL SR TYB (F/S)	2.000 EA
WD1000A03	41531 AMP FLG.TERM,4M/REEL(2.5MIL)	1.000 EA
HW5100A03SP	WAVY WASHER (W1543-017)	1.000 EA
34EP3212A02	PU ENDPLATE, MODEL 34 OPEN	1.000 EA
XY1032A02	10-32 HEX NUT DIRECTIONAL SERRATION	4.000 EA
34CB4517	CB LID 4 MTG HOLES .22 DIA STAMPED, FOR	1.000 EA
51XW0832A07	8-32 X .44, TAPTITE II, HEX WSHR SLTD SE	4.000 EA
HW2501D13SP	KEY, 3/16 SQ X 1.375	1.000 EA
HA7000A04	KEY RETAINER 0.625 DIA SHAFTS	1.000 EA
MG1000G27	PAINT- S9282E CHARCOAL GREY	0.014 GA
10XF0440S02	04-40 X 1/8 TYPE F HEX HD STAINLESS STIC	2.000 EA
EC1645A06SP	ELEC CAP, 645-774 MFD, 125V, 2.06D X 4.	1.000 EA
SP5056A24	MODEL 34 TYPE L STATIONARY SWITCH WITH L	1.000 EA
33CB4800A02	CAPACITOR COVER, STAMPED	1.000 EA

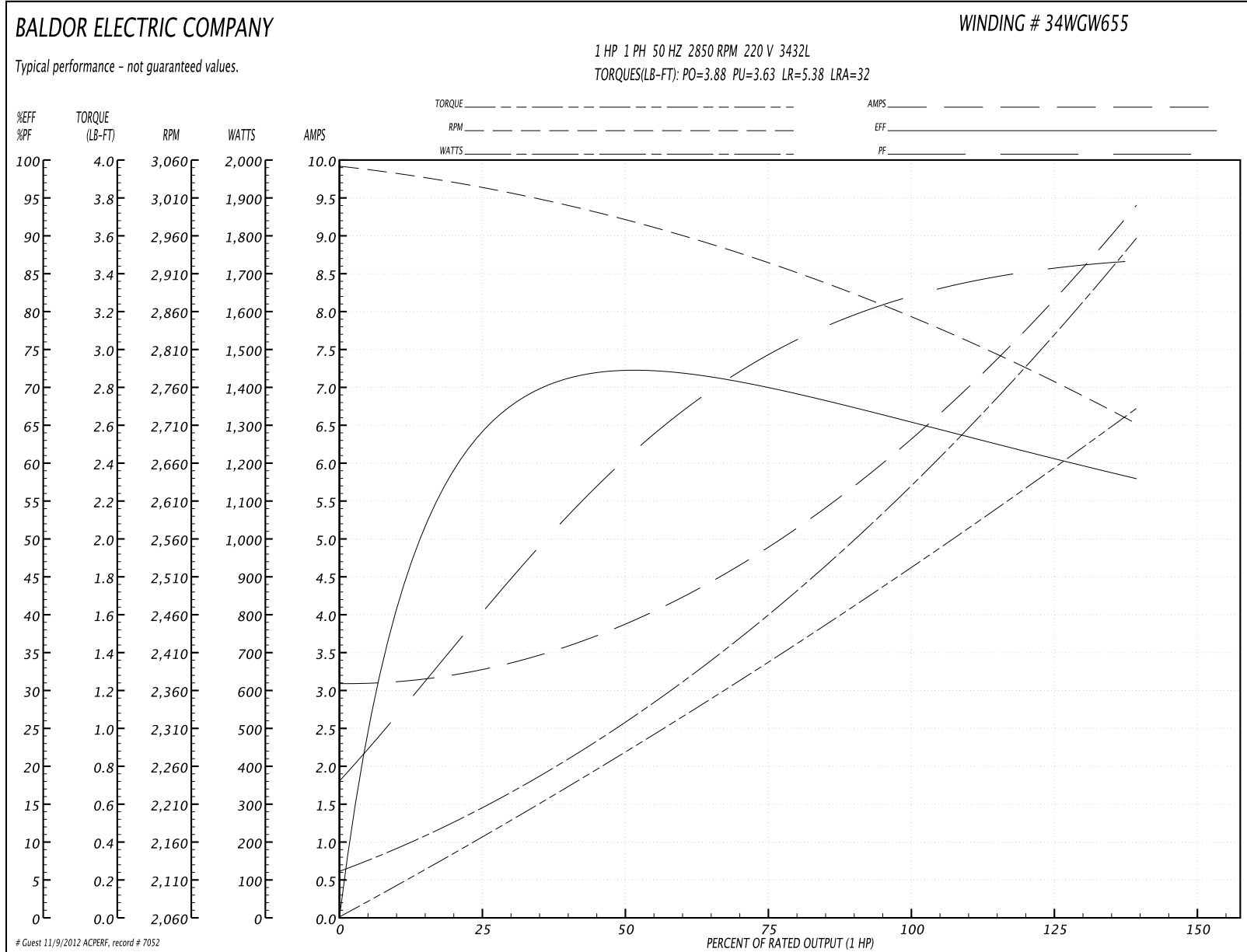
Parts List (continued)		
Part Number	Description	Quantity
HA3100A38	THRUBOLT 10-32 X 9.375	4.000 EA
LB1125C01	STD (STOCK) CARTON LABEL BALDOR WITH FLA	1.000 EA
LC0001A01	CONN LABEL / WARNING LABEL (LC0001 / LB1	1.000 EA
LB5040	INSTRUCTION TAG, AC & DC	1.000 EA
NP1372L	ALUM UL CSA CE CC	1.000 EA
34PA1005	PACKING GROUP, BALDOR	1.000 EA

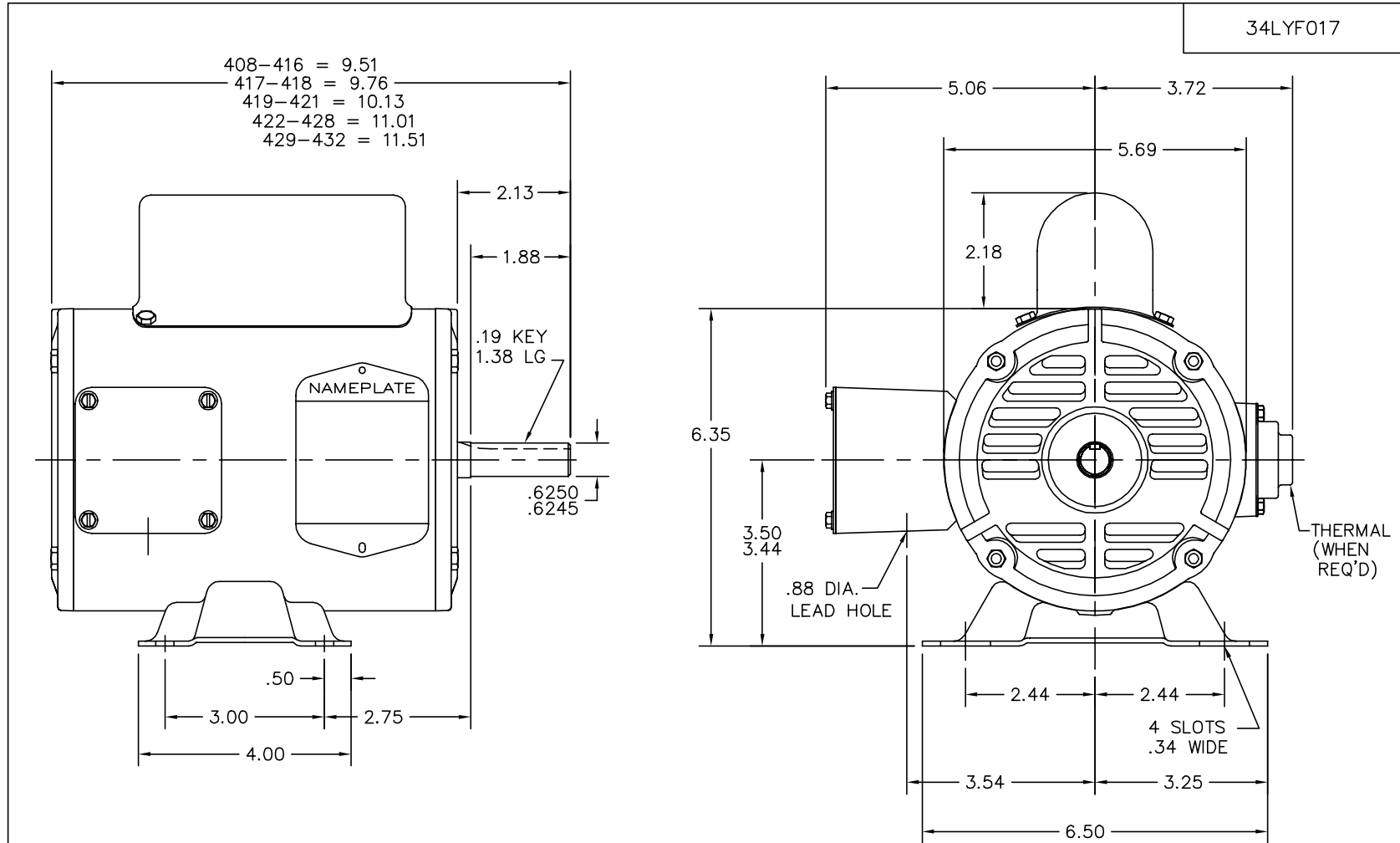
Performance Data at 220V, 50Hz, 1.0HP (Typical performance - Not guaranteed values)

General Characteristics			
Full Load Torque:	1.8 LB-FT	Start Configuration:	DOL
No-Load Current:	3.0 Amps	Break-Down Torque:	3.88 LB-FT
Line-line Res. @ 25°C.:	2.05 Ohms A Ph / 1.79 Ohms B Ph	Pull-Up Torque:	3.63 LB-FT
Temp. Rise @ Rated Load:	55 C	Locked-Rotor Torque:	5.38 LB-FT
Temp. Rise @ S.F. Load:	82 C	Starting Current:	32.0 Amps

Load Characteristics							
% of Rated Load	25	50	75	100	125	150	S.F.
Power Factor:	48.0	66.0	76.0	82.0	85.0	87.0	85.0
Efficiency:	62.0	69.0	70.0	67.0	63.0	57.0	63.0
Speed:	3026.0	2986.0	2936.0	2828.0	2803.0	2711.0	2803.0
Line Amperes:	3.4	4.0	4.9	6.0	7.7	9.5	7.7

Performance Graph at 220V, 50Hz, 1.0HP Typical performance - Not guaranteed values





CUSTOMER IS RESPONSIBLE FOR DETERMINING THAT MOTOR PERFORMANCE IS SUITABLE IN THE APPLICATION.

REV. DESC: NEW KBOX & LID			
REV. LTR: E	BY: RT	REVISED: 08:18:57 10/14/2003	TDR: 314971
FILE: AAA00026298		REF: 34LYF017	
MTL: -			

BALDOR ELECTRIC Co.

STD HORZ MODEL 34L NEMA 56 OPEN W/LG CAP BOX

34LYF017

CD0001



NOTES:

1. STANDARD ROTATION IS CCW FACING END OPPOSITE SHAFT EXTENSION.
2. OPTIONAL THERMOSTAT IS PROVIDED WHEN SPECIFIED.
3. MULTIPLE CAPACITORS ARE CONNECTED IN PARALLEL UNLESS OTHERWISE SPECIFIED.
4. LEAD COLORS ARE OPTIONAL. LEADS MUST ALWAYS BE NUMBERED AS SHOWN.

CD0001

REV. DESC: REVISE TO SHOW OPTIONAL COLORS			
REV. LTR: D	BY: JLP	REVISED: 04/08/99 1:16	TDR: 0178636
100000		FILE: AAA00007405	MDL: -
		MTL: -	

BALDOR ELECTRIC Co.

TYPE L, DV, REV, 6 LEADS