

BALDOR® • RELIANCE

Product Information Packet

L1313T

1.5HP,3450RPM,1PH,60HZ,143T,3520L,OPEN

Copyright © All product information within this document is subject to Baldor Electric Company copyright © protection, unless otherwise noted.

| Part Detail | | | | | | | |
|-------------|---------------------|-------------|-------|----------------|----------|---------------|------------|
| Revision: | M | Status: | PRD/A | Change #: | | Proprietary: | No |
| Type: | AC | Prod. Type: | 3520L | Elec. Spec: | 35WGX958 | CD Diagram: | |
| Enclosure: | OPEN | Mfg Plant: | | Mech. Spec: | 35T876 | Layout: | |
| Frame: | 143T | Mounting: | F1 | Poles: | 02 | Created Date: | 06-22-2007 |
| Base: | RG | Rotation: | R | Insulation: | B | Eff. Date: | 07-18-2012 |
| Leads: | 4#16 A PH,2#18 B PH | Literature: | | Elec. Diagram: | | Replaced By: | |

Nameplate NP1256L

| | | | | | | | |
|--------------|--------------|----------------|------|-----|---|-------|---|
| CAT.NO. | L1313T | | | | | | |
| SPEC. | 35T876X958 | | | | | | |
| HP | 1.5 | | | | | | |
| VOLTS | 115/230 | | | | | | |
| AMP | 17.8/8.9 | | | | | | |
| RPM | 3450 | | | | | | |
| FRAME | 143T | HZ | 60 | PH | 1 | | |
| SER.F. | 1.15 | CODE | J | DES | L | CLASS | B |
| NEMA-NOM-EFF | 70 | PF | 78 | | | | |
| RATING | 40C AMB-CONT | | | | | | |
| CC | | USABLE AT 208V | 9.3 | | | | |
| DE | 6205 | ODE | 6203 | | | | |
| ENCL | OPEN | SN | | | | | |
| | | | | | | | |

| Parts List | | |
|-------------|--|----------|
| Part Number | Description | Quantity |
| SA107732 | SA 35T876X958 | 1.000 EA |
| RA099334 | RA 35T876X958 | 1.000 EA |
| EC1645A06SP | ELEC CAP, 645-774 MFD, 125V, 2.06D X 4. | 1.000 EA |
| NS2512A01 | INSULATOR, CONDUIT BOX X | 1.000 EA |
| 35CB3007 | 35 CB CASTING W/.88 DIA. LEAD HOLE | 1.000 EA |
| 51XB1016A07 | 10-16 X 7/16 HXWSSLD SERTYB | 2.000 EA |
| 11XW1032G06 | 10-32 X .38, TAPTITE II, HEX WSHR SLTD U | 1.000 EA |
| 35EP3201A01 | STD FR ENDPLATE-OPEN-203 BRG W/GREASER | 1.000 EA |
| HW4500A01 | 1641B(ALEMITE)400 UNIV, GREASE FITT | 1.000 EA |
| SP1006A01 | TERM. BOARD, MODE 35 SW X H-23655 | 1.000 EA |
| 51XW0832A07 | 8-32 X .44, TAPTITE II, HEX WSHR SLTD SE | 2.000 EA |
| NS2501A01 | INSULATOR, CAPACITOR | 1.000 EA |
| 51XB1016A05 | 10-16X5/16HX WA SL SR TYB (F/S) | 2.000 EA |
| HW5100A03SP | WAVY WASHER (W1543-017) | 1.000 EA |
| 35EP3200A01 | STD PU ENDPLATE-OPEN-205 BRG W/GREASER | 1.000 EA |
| HW4500A01 | 1641B(ALEMITE)400 UNIV, GREASE FITT | 1.000 EA |
| XY1032A02 | 10-32 HEX NUT DIRECTIONAL SERRATION | 4.000 EA |
| 35CB4521 | 35 LIPPED CB LID (GALV & PHOSPH) | 1.000 EA |
| 51XW0832A07 | 8-32 X .44, TAPTITE II, HEX WSHR SLTD SE | 4.000 EA |
| HW2501D13SP | KEY, 3/16 SQ X 1.375 | 1.000 EA |
| HA7000A01 | KEY RETAINER 7/8" DIA SHAFT | 1.000 EA |
| 85XU0407S04 | 4X1/4 U DRIVE PIN STAINLESS | 2.000 EA |
| WD1000A15 | 3-520132-2 AMP FLAG (4M/RL NON-CANC/NON- | 2.000 EA |
| MJ1000A75 | GREASE, POLYREX EM EXXON | 0.050 LB |

| Parts List (continued) | | |
|------------------------|--|----------|
| Part Number | Description | Quantity |
| MG1000G27 | PAINT- S9282E CHARCOAL GREY | 0.017 GA |
| SP5055A67 | MODEL 35 TYPE L STATIONARY SWITCH | 1.000 EA |
| 35CB4802A02SP | CAPACITOR COVER, STAMPED X W/AUTOPHORET | 1.000 EA |
| HA3100A15 | THRUBOLT 10-32 X 8.375 | 4.000 EA |
| LB1125C01 | STD (STOCK) CARTON LABEL BALDOR WITH FLA | 1.000 EA |
| LC0001A01 | CONN LABEL / WARNING LABEL (LC0001 / LB1 | 1.000 EA |
| NP1256L | ALUM UL CSA CC | 1.000 EA |
| 35PA1066 | PACKING GROUP COMBINED PRINT | 1.000 EA |

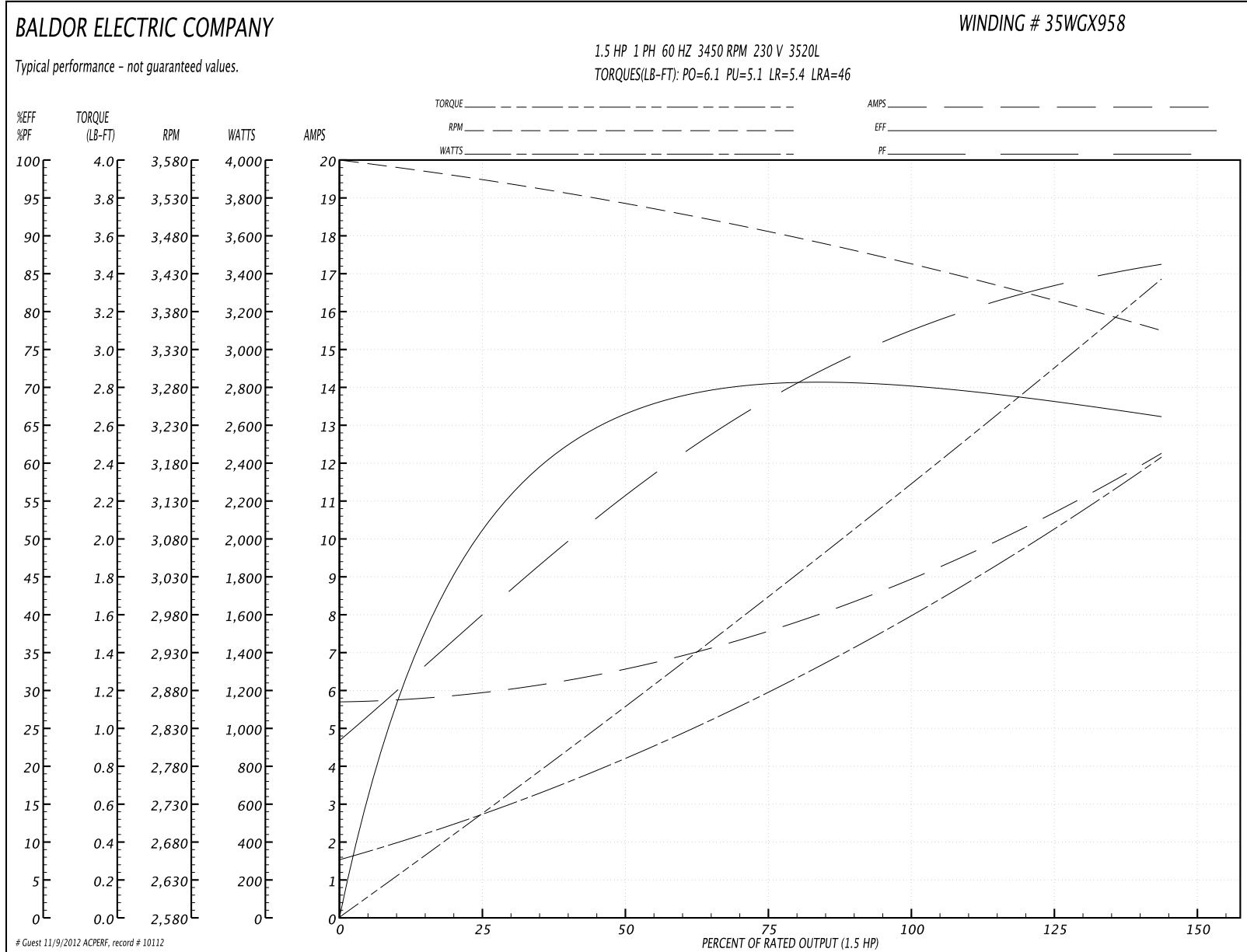
| Accessories | | |
|---------------|--------------|------------|
| Part Number | Description | Multiplier |
| 35-8764 | C FACE KIT | A8 |
| 35EP1604A01SP | D-FLANGE KIT | A8 |

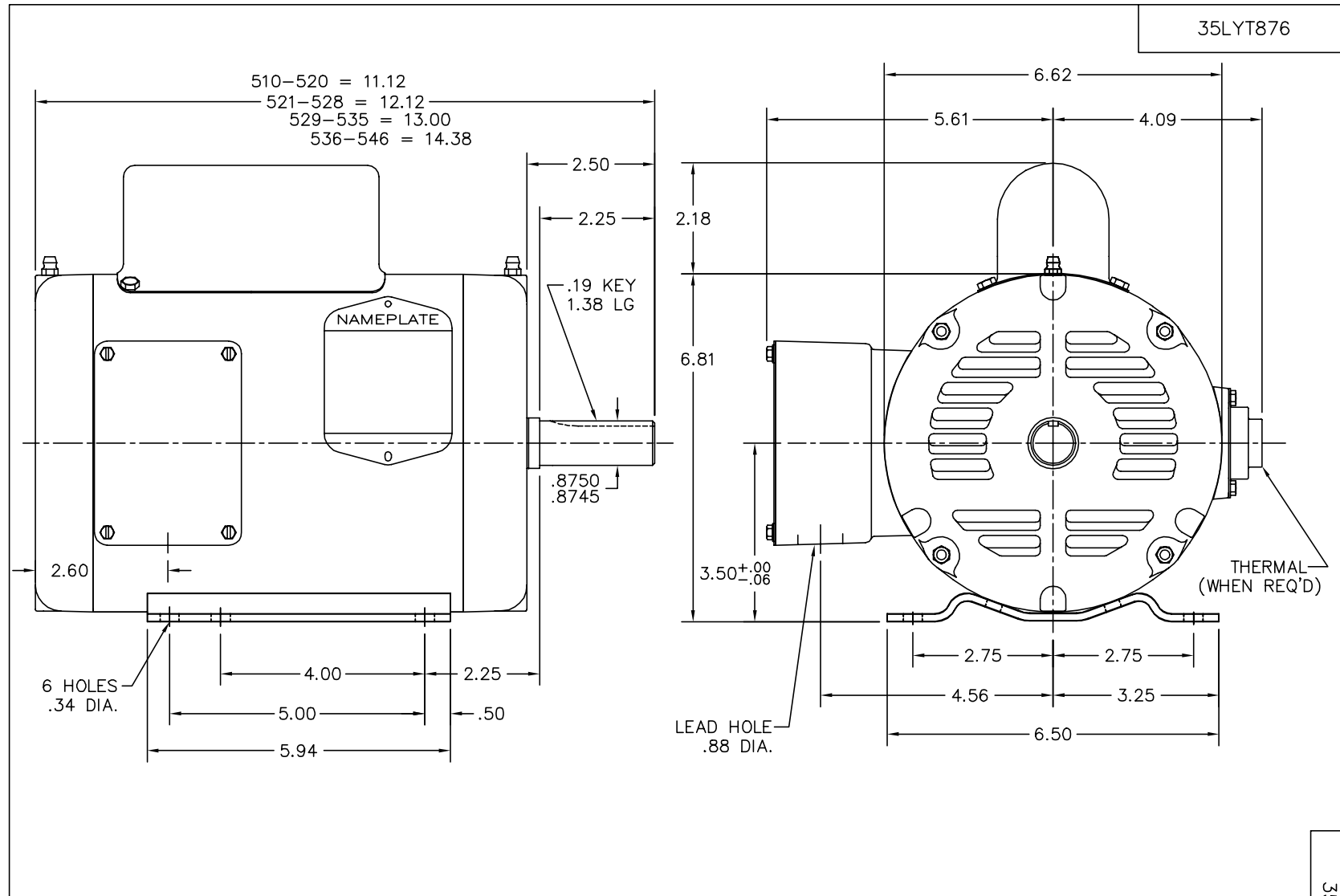
Performance Data at 230V, 60Hz, 1.5HP (Typical performance - Not guaranteed values)

| General Characteristics | | | |
|--------------------------|---------------------------------|----------------------|-----------|
| Full Load Torque: | 2.25 LB-FT | Start Configuration: | DOL |
| No-Load Current: | 5.7 Amps | Break-Down Torque: | 6.1 LB-FT |
| Line-line Res. @ 25°C.: | 1.49 Ohms A Ph / 1.33 Ohms B Ph | Pull-Up Torque: | 5.1 LB-FT |
| Temp. Rise @ Rated Load: | 63 C | Locked-Rotor Torque: | 5.4 LB-FT |
| Temp. Rise @ S.F. Load: | | Starting Current: | 46.0 Amps |

| Load Characteristics | | | | | | | |
|----------------------|--------|--------|--------|--------|--------|--------|--------|
| % of Rated Load | 25 | 50 | 75 | 100 | 125 | 150 | S.F. |
| Power Factor: | 38.0 | 57.0 | 69.0 | 77.0 | 82.0 | 87.0 | 80.0 |
| Efficiency: | 53.5 | 66.0 | 70.0 | 70.0 | 69.0 | 66.0 | 70.0 |
| Speed: | 3555.0 | 3520.0 | 3485.0 | 3450.0 | 3400.0 | 3355.0 | 3425.0 |
| Line Amperes: | 6.0 | 6.5 | 7.5 | 8.9 | 10.5 | 12.2 | 9.8 |

Performance Graph at 230V, 60Hz, 1.5HP Typical performance - Not guaranteed values





CUSTOMER IS RESPONSIBLE FOR DETERMINING THAT MOTOR PERFORMANCE IS SUITABLE IN THE APPLICATION.

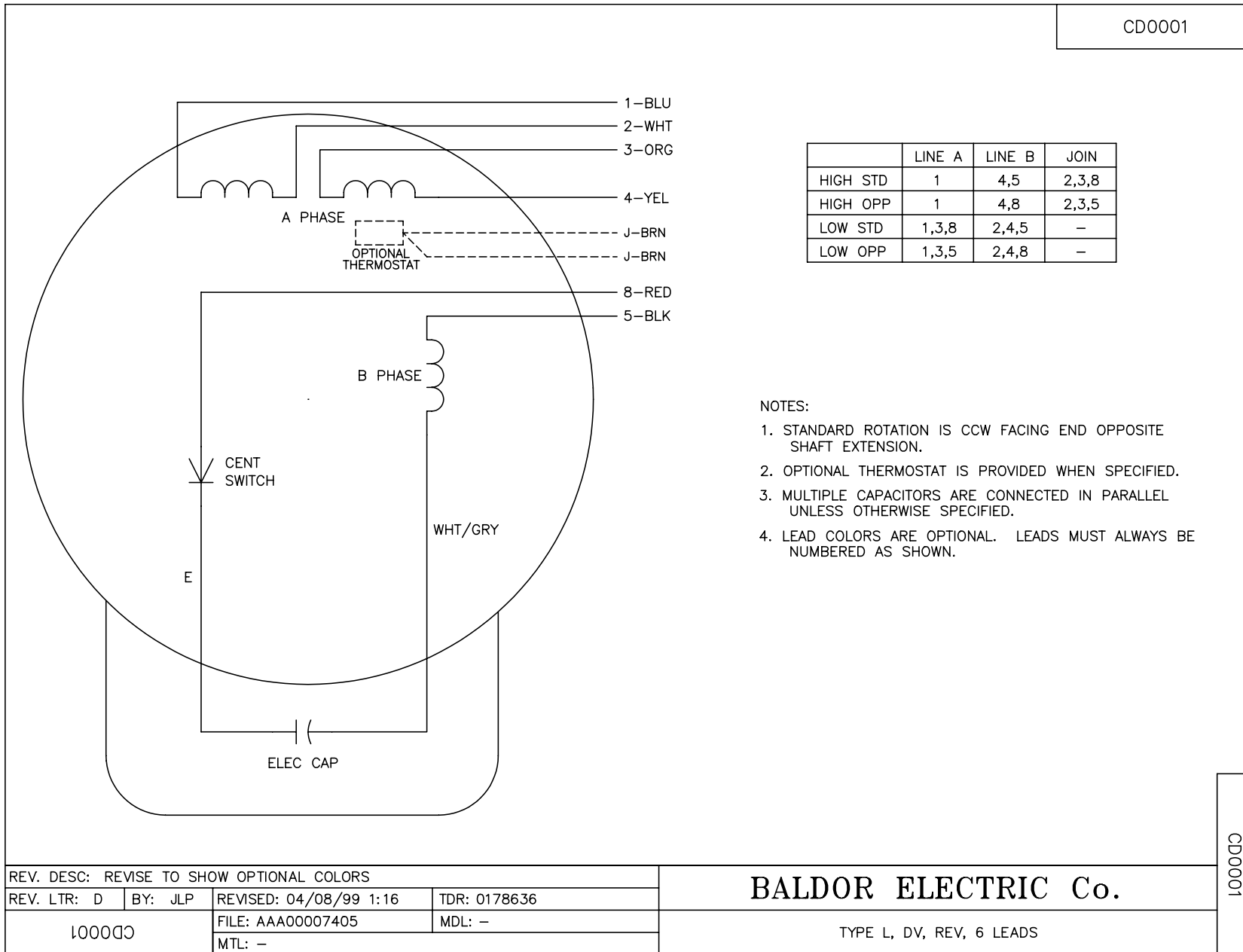
| | | | |
|----------------|---------|------------------------------|---------------|
| REV. DESC: NEW | | | |
| REV. LTR: - | BY: KCT | REVISED: 12:13:53 10/27/2003 | TDR: 315252 |
| 9/811795 | | FILE: AAA00110562 | REF: 35LYT876 |
| | | MTL: - | |

BALDOR ELECTRIC Co.

STD HORZ 143-5T OPEN 35L 2 POLE "W" BASE (35BA4009)

35LYT876

CD0001



NOTES:

1. STANDARD ROTATION IS CCW FACING END OPPOSITE SHAFT EXTENSION.
2. OPTIONAL THERMOSTAT IS PROVIDED WHEN SPECIFIED.
3. MULTIPLE CAPACITORS ARE CONNECTED IN PARALLEL UNLESS OTHERWISE SPECIFIED.
4. LEAD COLORS ARE OPTIONAL. LEADS MUST ALWAYS BE NUMBERED AS SHOWN.

| | | | |
|---|---------|------------------------|--------------|
| REV. DESC: REVISE TO SHOW OPTIONAL COLORS | | | |
| REV. LTR: D | BY: JLP | REVISED: 04/08/99 1:16 | TDR: 0178636 |
| 100000 | | FILE: AAA00007405 | MDL: - |
| | | MTL: - | |

BALDOR ELECTRIC Co.

TYPE L, DV, REV, 6 LEADS

CD0001