

BALDOR® • RELIANCE

Product Information Packet

L1320T

2HP,3450RPM,1PH,60HZ,145T,3528LC,OPEN,F1

Copyright © All product information within this document is subject to Baldor Electric Company copyright © protection, unless otherwise noted.

Part Detail							
Revision:	B	Status:	PRD/A	Change #:		Proprietary:	No
Type:	AC	Prod. Type:	3528LC	Elec. Spec:	35WG1639	CD Diagram:	
Enclosure:	OPEN	Mfg Plant:		Mech. Spec:	35Y525	Layout:	
Frame:	145T	Mounting:	F1	Poles:	02	Created Date:	12-07-2009
Base:	RG	Rotation:	R	Insulation:	B	Eff. Date:	07-18-2012
Leads:	4#14 A PH,3#18 B PH	Literature:		Elec. Diagram:		Replaced By:	

Nameplate NP1256L									
CAT.NO.	L1320T								
SPEC.	35Y525-1639G1								
HP	2								
VOLTS	115/230								
AMP	23/11.5								
RPM	3450								
FRAME	145T	HZ			60	PH	1		
SER.F.	1.15	CODE			H	DES	L	CLASS	B
NEMA-NOM-EFF	71	PF			75				
RATING	40C AMB-CONT								
CC	USABLE AT 208V			12					
DE	6205	ODE			6203				
ENCL	OPEN	SN							

Parts List		
Part Number	Description	Quantity
SA188439	SA 35Y525-1639G1	1.000 EA
RA176173	RA 35Y525-1639G1	1.000 EA
OC3012F12SP	CYL OIL CAP 12MFD/370V	1.000 EA
EC1850A06SP	ELEC CAP 115V 2.0 X 4.3 X	1.000 EA
NS2512A01	INSULATOR, CONDUIT BOX X	1.000 EA
35CB3009	35 CB CASTING W/1.09 DIA. LEAD HOLE @ 6:	1.000 EA
51XB1016A07	10-16 X 7/16 HXWSSLD SERTYB	2.000 EA
11XW1032G06	10-32 X .38, TAPTITE II, HEX WSHR SLTD U	1.000 EA
35EP3201A01	STD FR ENDPLATE-OPEN-203 BRG W/GREASER	1.000 EA
HW4500A01	1641B(ALEMITE)400 UNIV, GREASE FITT	1.000 EA
51XW0832A07	8-32 X .44, TAPTITE II, HEX WSHR SLTD SE	2.000 EA
35CB3801SP	CAPACITOR COVER, CAST	1.000 EA
HA7010	CAPACITOR RETENTION CLAMP	1.000 EA
NS2501A02	INSULATOR, CAPACITOR BOX	1.000 EA
51XB1016A08	10-16X 1/2HXWSSLD SERTYB	2.000 EA
HW5100A03SP	WAVY WASHER (W1543-017)	1.000 EA
35EP3200A01	STD PU ENDPLATE-OPEN-205 BRG W/GREASER	1.000 EA
HW4500A01	1641B(ALEMITE)400 UNIV, GREASE FITT	1.000 EA
XY1032A02	10-32 HEX NUT DIRECTIONAL SERRATION	4.000 EA
35CB4521	35 LIPPED CB LID (GALV & PHOSPH)	1.000 EA
51XW0832A07	8-32 X .44, TAPTITE II, HEX WSHR SLTD SE	4.000 EA
HW2501D13SP	KEY, 3/16 SQ X 1.375	1.000 EA
HA7000A01	KEY RETAINER 7/8" DIA SHAFT	1.000 EA
10XF0440S02	04-40 X 1/8 TYPE F HEX HD STAINLESS STIC	2.000 EA

Parts List (continued)		
Part Number	Description	Quantity
WD1000A15	3-520132-2 AMP FLAG (4M/RL NON-CANC/NON-	1.000 EA
SP1006A01	TERM. BOARD, MODE 35 SW X H-23655	1.000 EA
MJ1000A75	GREASE, POLYREX EM EXXON	0.050 LB
MG1000G27	PAINT- S9282E CHARCOAL GREY	0.017 GA
HA3100A18	THRUBOLT 10-32 X 9.250	4.000 EA
34GS5003	FOAM SLEEVE, ID = 2 1/16" X 3 3/8"	2.000 EA
SP5056A61	MODEL 35 LC STATIONARY SWITCH LEAD ASSY	1.000 EA
LB5040	INSTRUCTION TAG, AC & DC	1.000 EA
LB1119	WARNING LABEL	1.000 EA
LB1125C01	STD (STOCK) CARTON LABEL BALDOR WITH FLA	1.000 EA
LC0016	CONNECTION LABEL	1.000 EA
NP1256L	ALUM UL CSA CC	1.000 EA
35PA1066	PACKING GROUP COMBINED PRINT	1.000 EA

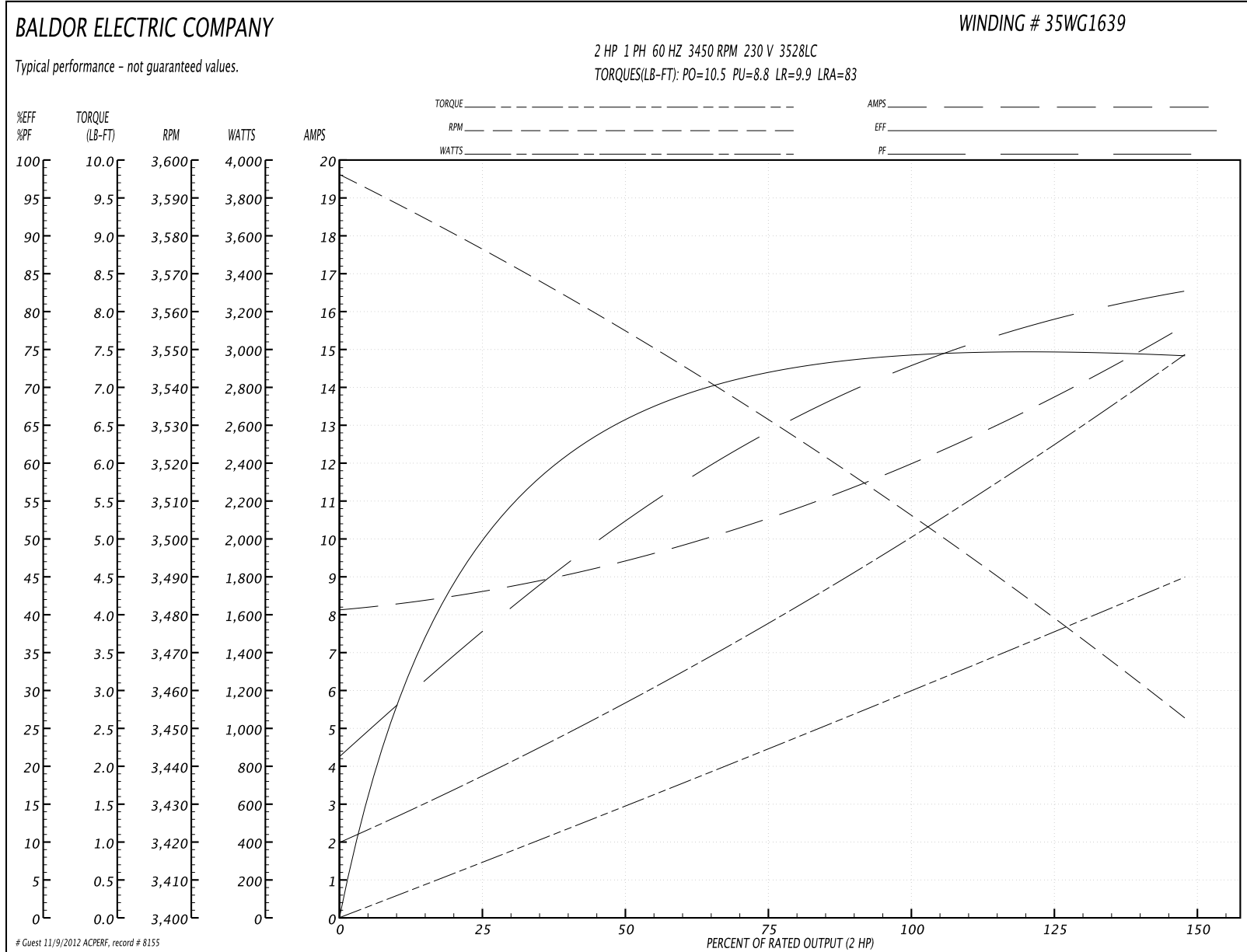
Accessories		
Part Number	Description	Multiplier
35-8764	C FACE KIT	A8
35EP1604A01SP	D-FLANGE KIT	A8

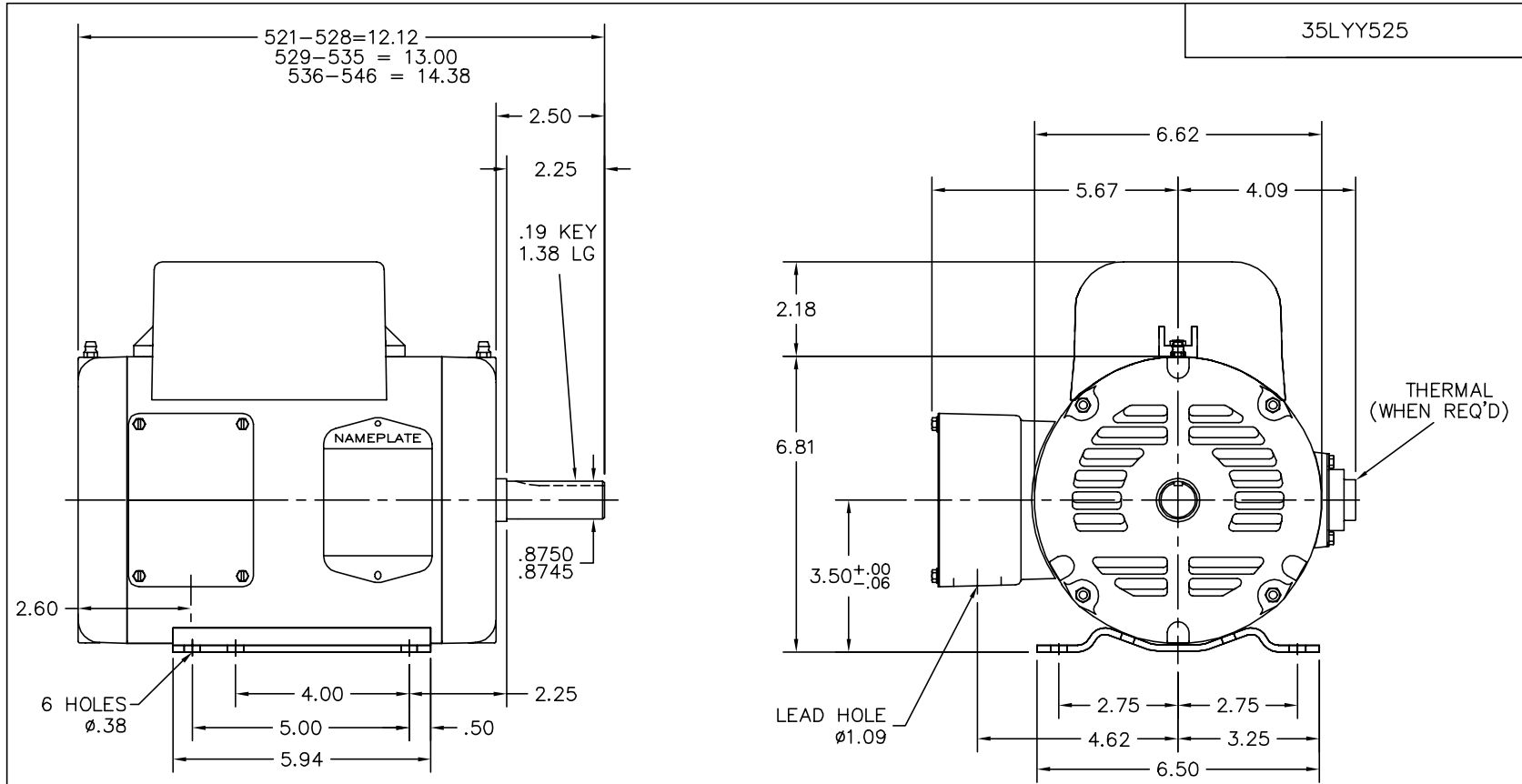
Performance Data at 230V, 60Hz, 2.0HP (Typical performance - Not guaranteed values)

General Characteristics			
Full Load Torque:	3.0 LB-FT	Start Configuration:	DOL
No-Load Current:	8.1 Amps	Break-Down Torque:	10.5 LB-FT
Line-line Res. @ 25°C.:	0.844 Ohms A Ph / 0.918 Ohms B Ph	Pull-Up Torque:	8.8 LB-FT
Temp. Rise @ Rated Load:	45 C	Locked-Rotor Torque:	9.9 LB-FT
Temp. Rise @ S.F. Load:	49 C	Starting Current:	83.0 Amps

Load Characteristics							
% of Rated Load	25	50	75	100	125	150	S.F.
Power Factor:	40.0	56.0	65.0	75.0	80.0	84.0	78.0
Efficiency:	50.0	65.0	73.0	74.0	75.0	74.0	74.6
Speed:	3574.0	3552.0	3533.0	3506.0	3482.0	3451.0	3492.0
Line Amperes:	8.6	9.6	10.5	12.0	13.6	15.7	12.96

Performance Graph at 230V, 60Hz, 2.0HP Typical performance - Not guaranteed values





35LYY525

35LYY525

CUSTOMER IS RESPONSIBLE FOR DETERMINING THAT BALDOR'S PRODUCT WILL PERFORM SUITABLY IN THE INTENDED APPLICATION.

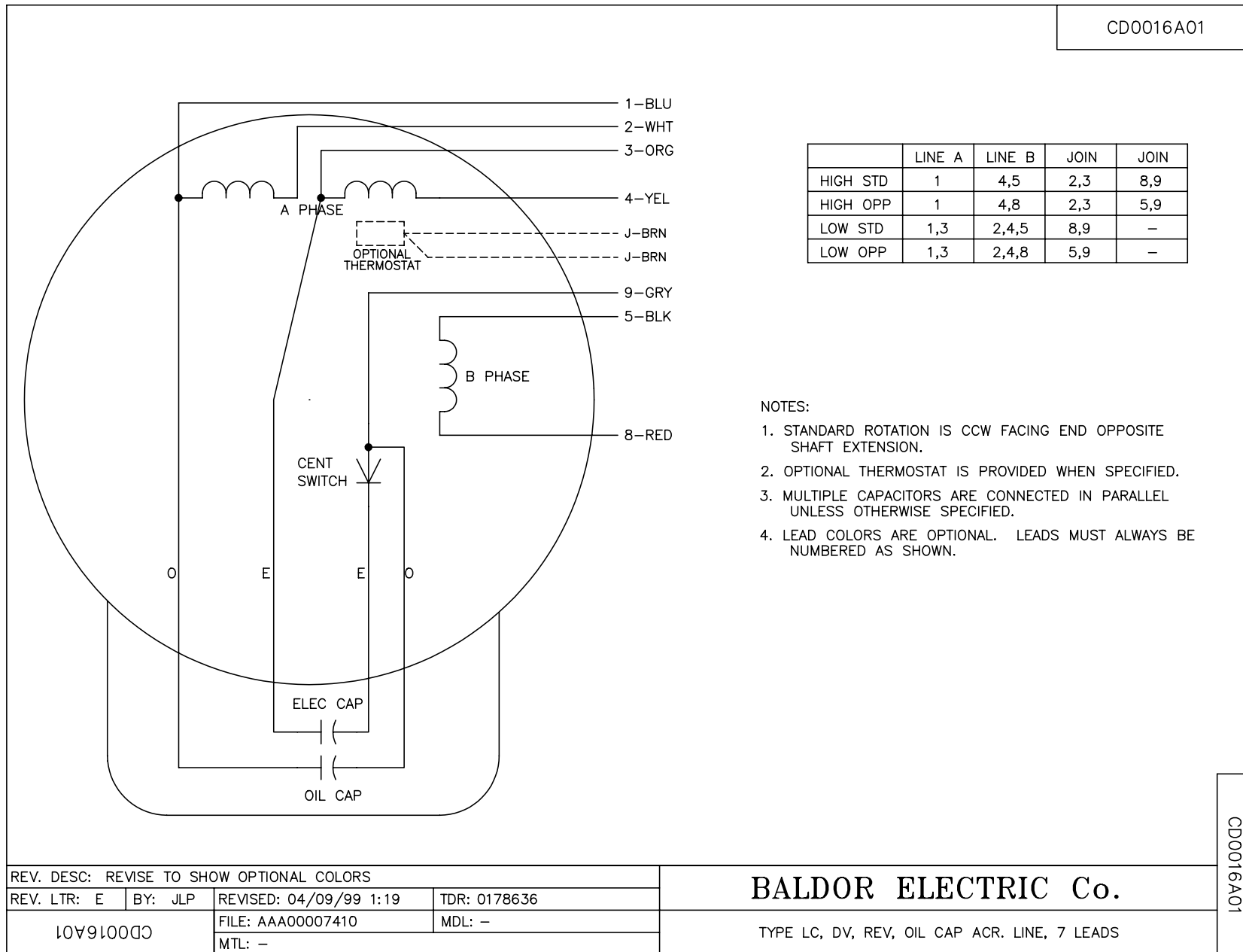
REV. DESC: NEW		
REV. LTR: -	VERSION: 00	TDR: 000000520927
FILE: \AAA\00168\028	REVISED: 01: 35: 53 12/07/2009	
MTL: -	BY: ENGAMGO	

BALDOR • DODGE • RELIANCE

HORZ 143-5T OPEN 35LC W/2 POLE "W" BASE & 1.09 LEAD HOLE

SH 1 of 1

CD0016A01



REV. DESC: REVISE TO SHOW OPTIONAL COLORS			
REV. LTR: E	BY: JLP	REVISED: 04/09/99 1:19	TDR: 0178636
10V910000		FILE: AAA00007410	MDL: -
CD0016A01		MTL: -	

BALDOR ELECTRIC Co.

TYPE LC, DV, REV, OIL CAP ACR. LINE, 7 LEADS

CD0016A01