

BALDOR® • RELIANCE

Product Information Packet

L1321TM

1.5HP, 1725RPM, 1PH, 60HZ, 145T, 3535L, OPEN, F

Copyright © All product information within this document is subject to Baldor Electric Company copyright © protection, unless otherwise noted.

Part Detail							
Revision:	C	Status:	PRD/A	Change #:		Proprietary:	No
Type:	AC	Prod. Type:	3535L	Elec. Spec:	35WGW335	CD Diagram:	
Enclosure:	OPEN	Mfg Plant:		Mech. Spec:	35DD001	Layout:	
Frame:	145T	Mounting:	F1	Poles:	04	Created Date:	12-22-2009
Base:	RG	Rotation:	R	Insulation:	B	Eff. Date:	10-28-2011
Leads:	4#14 A&J,2#18 B PH,1#	Literature:		Elec. Diagram:		Replaced By:	

Nameplate NP1257L							
CAT.NO.	L1321TM						
SPEC.	35DD001W335						
HP	1.5						
VOLTS	115/208-230						
AMP	21/9.6-10.5						
RPM	1725						
FRAME	145T	HZ	60	PH	1		
SER.F.	1.15	CODE	M	DES	L	CL	B
NEMA-NOM-EFF	70	PF	64				
RATING	40C AMB-CONT						
CC				USABLE AT 208V			
DE	6205	ODE	6203				
ENCL	OPEN	SN					

Parts List		
Part Number	Description	Quantity
SA189066	SA 35DD001W335	1.000 EA
RA176785	RA 35DD001W335	1.000 EA
EC1850A06SP	ELEC CAP 115V 2.0 X 4.3 X	1.000 EA
TP5059	GENERIC THERMAL KIT	1.000 EA
NS2512A01	INSULATOR, CONDUIT BOX X	1.000 EA
35CB3009	35 CB CASTING W/1.09 DIA. LEAD HOLE @ 6:	1.000 EA
51XB1016A07	10-16 X 7/16 HXWSSLD SERTYB	2.000 EA
11XW1032G06	10-32 X .38, TAPTITE II, HEX WSHR SLTD U	1.000 EA
35EP3201A01	STD FR ENDPLATE-OPEN-203 BRG W/GREASER	1.000 EA
HW4500A01	1641B(ALEMITE)400 UNIV, GREASE FITT	1.000 EA
SP1006A01	TERM. BOARD, MODE 35 SW X H-23655	1.000 EA
51XW0832A07	8-32 X .44, TAPTITE II, HEX WSHR SLTD SE	2.000 EA
NS2501A01	INSULATOR, CAPACITOR	1.000 EA
35CB4802A02SP	CAPACITOR COVER, STAMPED X W/AUTOPHORET	1.000 EA
51XB1016A05	10-16X5/16HX WA SL SR TYB (F/S)	2.000 EA
HW5100A03SP	WAVY WASHER (W1543-017)	1.000 EA
35EP3200A01	STD PU ENDPLATE-OPEN-205 BRG W/GREASER	1.000 EA
HW4500A01	1641B(ALEMITE)400 UNIV, GREASE FITT	1.000 EA
XY1032A02	10-32 HEX NUT DIRECTIONAL SERRATION	4.000 EA
35CB4521	35 LIPPED CB LID (GALV & PHOSPH)	1.000 EA
51XW0832A07	8-32 X .44, TAPTITE II, HEX WSHR SLTD SE	4.000 EA
HW2501D13SP	KEY, 3/16 SQ X 1.375	1.000 EA
HA7000A01	KEY RETAINER 7/8" DIA SHAFT	1.000 EA
85XU0407S04	4X1/4 U DRIVE PIN STAINLESS	2.000 EA

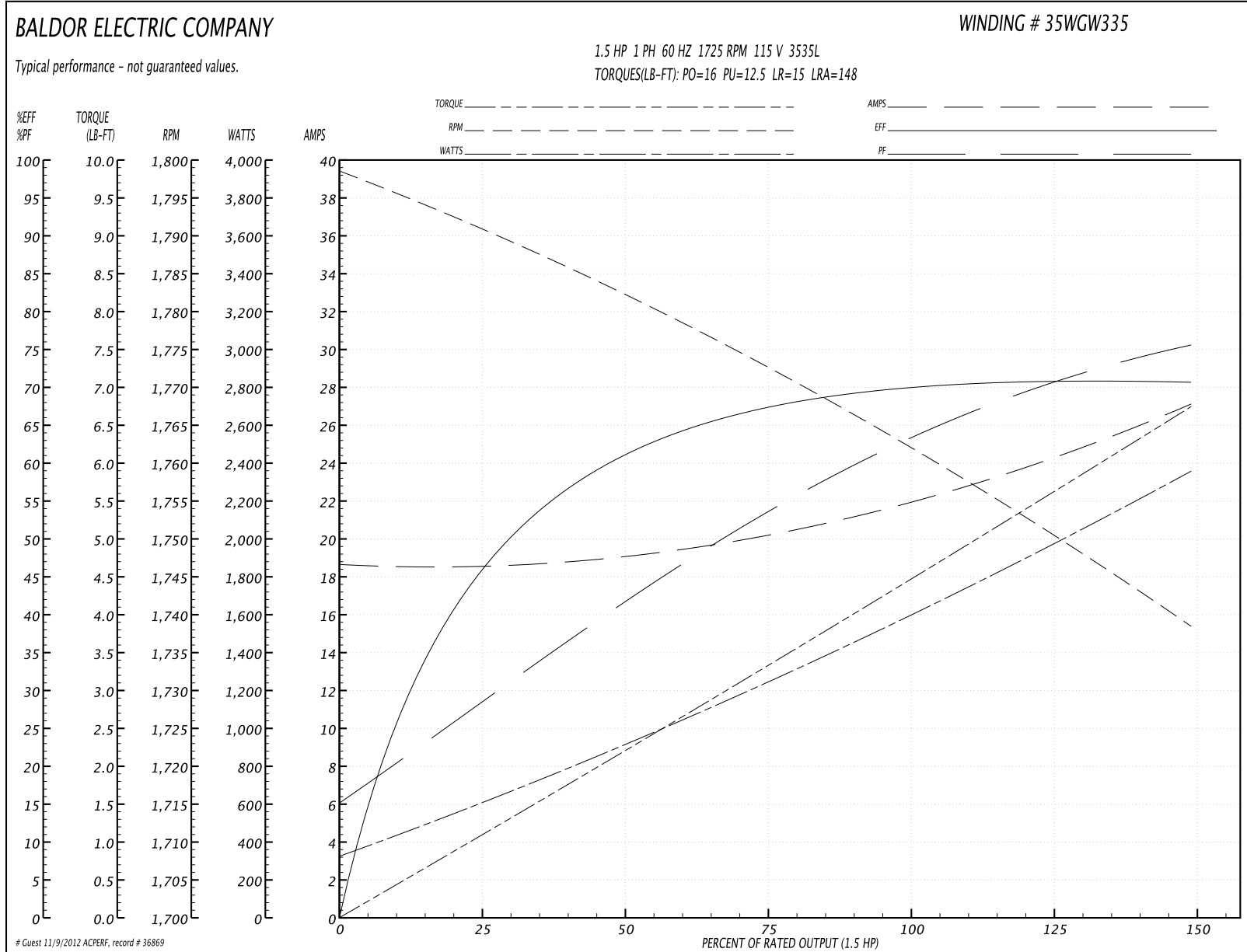
Parts List (continued)		
Part Number	Description	Quantity
WD1000A15	3-520132-2 AMP FLAG (4M/RL NON-CANC/NON-	2.000 EA
MJ1000A75	GREASE, POLYREX EM EXXON	0.050 LB
MG1000G27	PAINT- S9282E CHARCOAL GREY	0.017 GA
SP5055A67	MODEL 35 TYPE L STATIONARY SWITCH	1.000 EA
HA3100A22	THRUBOLT 10-32 X 10.125	4.000 EA
LB1087	LABEL,MANUAL RESET (ROLL LABEL)	1.000 EA
LB1119	WARNING LABEL	1.000 EA
LB1125C01	STD (STOCK) CARTON LABEL BALDOR WITH FLA	1.000 EA
LC0269	1PH,DV,REV,THERMAL,7 LD,L.AMP THRU HTR H	1.000 EA
NP1257L	ALUM UL CSA CC THERMAL REV MTG	1.000 EA
35PA1066	PACKING GROUP COMBINED PRINT	1.000 EA

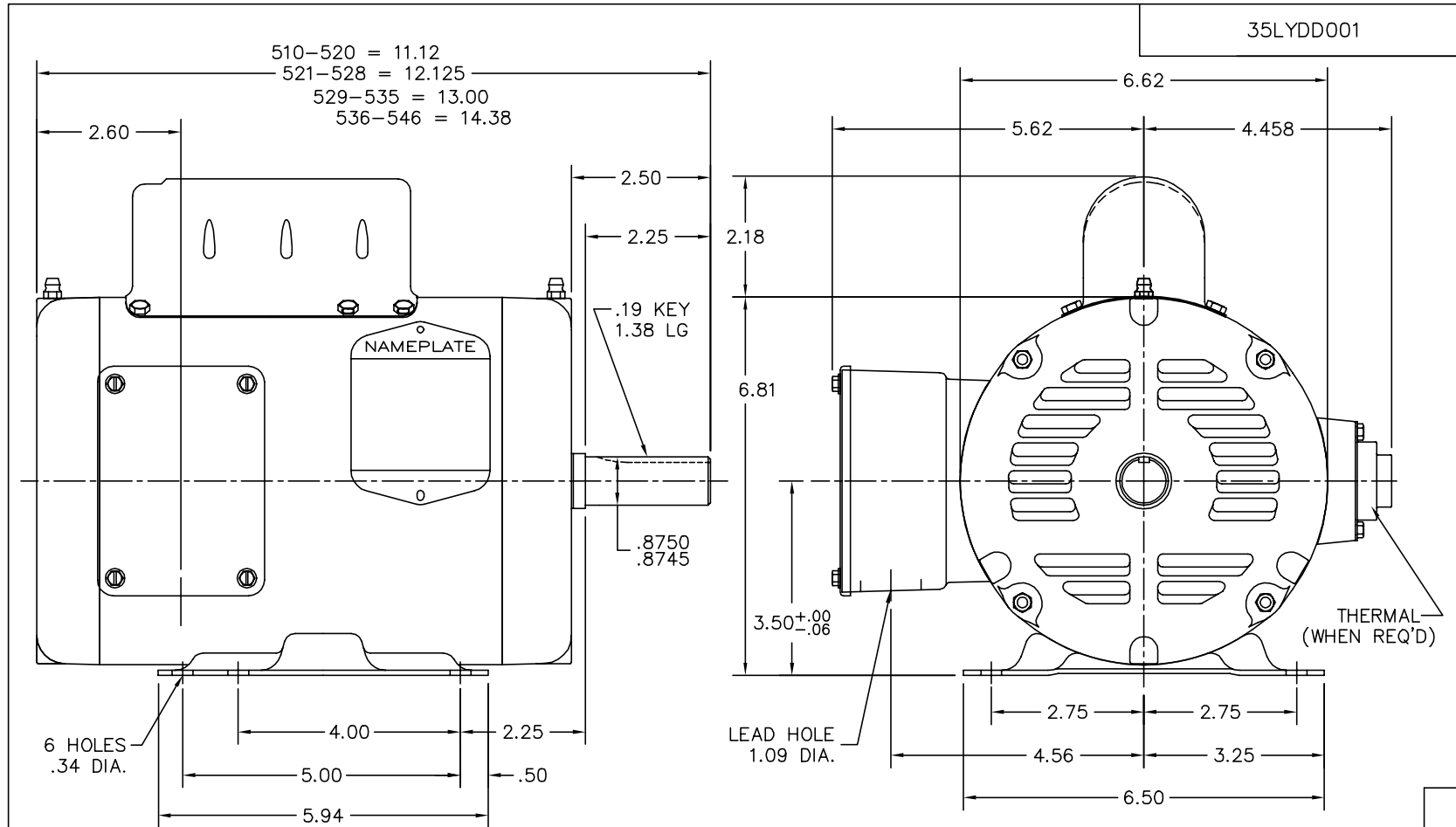
Accessories		
Part Number	Description	Multiplier
35-8764	C FACE KIT	A8
35EP1604A01SP	D-FLANGE KIT	A8

Performance Data at 115V, 60Hz, 1.5HP (Typical performance - Not guaranteed values)

General Characteristics							
Full Load Torque:	4.5 LB-FT			Start Configuration:	DOL		
No-Load Current:	18.6 Amps			Break-Down Torque:	16.0 LB-FT		
Line-line Res. @ 25°C.:	0.326 Ohms A Ph / 1.05 Ohms B Ph			Pull-Up Torque:	12.5 LB-FT		
Temp. Rise @ Rated Load:	60 C			Locked-Rotor Torque:	15.0 LB-FT		
Temp. Rise @ S.F. Load:	66 C			Starting Current:	148.0 Amps		
Load Characteristics							
% of Rated Load	25	50	75	100	125	150	S.F.
Power Factor:	29.0	42.0	54.0	64.0	71.0	76.0	68.0
Efficiency:	46.5	60.8	67.8	70.1	71.1	70.5	70.7
Speed:	1790.0	1782.0	1772.0	1762.0	1751.0	1738.0	1755.0
Line Amperes:	18.6	19.2	20.2	22.0	24.2	27.2	23.3

Performance Graph at 115V, 60Hz, 1.5HP Typical performance - Not guaranteed values





CUSTOMER IS RESPONSIBLE FOR DETERMINING THAT BALDOR'S PRODUCT WILL PERFORM SUITABLY IN THE INTENDED APPLICATION.

REV. DESC: NEW		
REV. LTR: -	VERSION: 00	TDR: 000000520922
FILE: \AAA\00168\390		REVISED: 10:24:51 12/21/2009
MTL: -		BY: ENALEMO

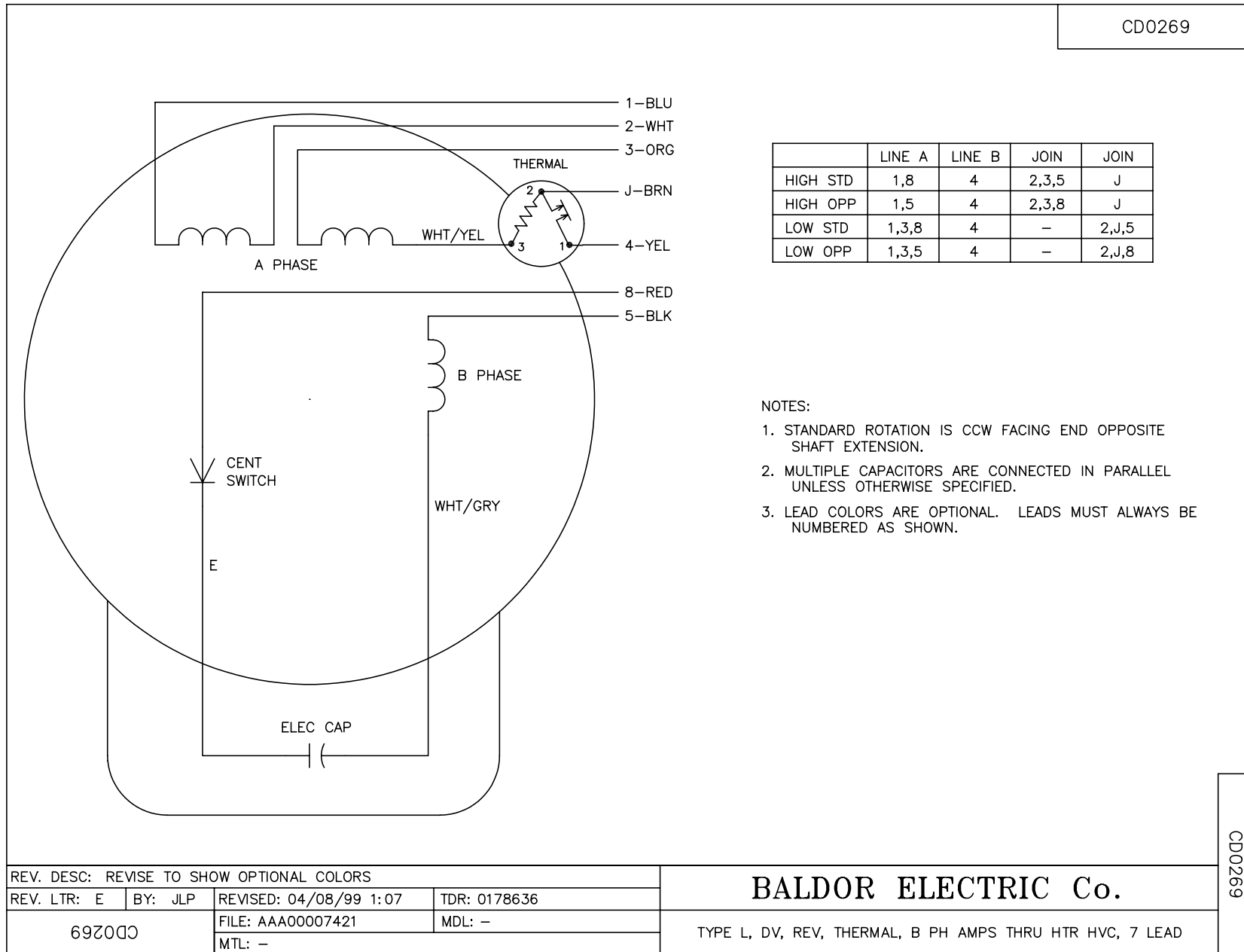
BALDOR • DODGE • RELIANCE

STD HORZ 143-5T OPEN 35L W/1.09 DIA. LEAD HOLE

SH 1 of 1

35LYDD001

CD0269



	LINE A	LINE B	JOIN	JOIN
HIGH STD	1,8	4	2,3,5	J
HIGH OPP	1,5	4	2,3,8	J
LOW STD	1,3,8	4	-	2,J,5
LOW OPP	1,3,5	4	-	2,J,8

NOTES:

1. STANDARD ROTATION IS CCW FACING END OPPOSITE SHAFT EXTENSION.
2. MULTIPLE CAPACITORS ARE CONNECTED IN PARALLEL UNLESS OTHERWISE SPECIFIED.
3. LEAD COLORS ARE OPTIONAL. LEADS MUST ALWAYS BE NUMBERED AS SHOWN.

REV. DESC: REVISE TO SHOW OPTIONAL COLORS			
REV. LTR: E	BY: JLP	REVISED: 04/08/99 1:07	TDR: 0178636
692000		FILE: AAA00007421	MDL: -
CD0269		MTL: -	

BALDOR ELECTRIC Co.

TYPE L, DV, REV, THERMAL, B PH AMPS THRU HTR HVC, 7 LEAD

CD0269