

BALDOR® • RELIANCE

Product Information Packet

L1322T

2HP,1725RPM,1PH,60HZ,145T,3532LC,OPEN,F1

Copyright © All product information within this document is subject to Baldor Electric Company copyright © protection, unless otherwise noted.

Part Detail							
Revision:	D	Status:	PRD/A	Change #:		Proprietary:	No
Type:	AC	Prod. Type:	3532LC	Elec. Spec:	35WGX966	CD Diagram:	
Enclosure:	OPEN	Mfg Plant:		Mech. Spec:	35EE002	Layout:	
Frame:	145T	Mounting:	F1	Poles:	04	Created Date:	12-22-2009
Base:	RG	Rotation:	R	Insulation:	B	Eff. Date:	10-27-2011
Leads:	4#14 A PH,3#18 B PH	Literature:		Elec. Diagram:		Replaced By:	

Nameplate NP1256L									
CAT.NO.	L1322T								
SPEC.	35EE002X966								
HP	2								
VOLTS	115/208-230								
AMP	20.4/10.3-10.2								
RPM	1725								
FRAME	145T	HZ	60	PH	1				
SER.F.	1.15	CODE	J	DES	L	CLASS	B		
NEMA-NOM-EFF	75.5	PF	85						
RATING	40C AMB-CONT								
CC	USABLE AT 208V								
DE	6205	ODE	6203						
ENCL	OPEN	SN							

Parts List		
Part Number	Description	Quantity
SA189065	SA 35EE002X966	1.000 EA
RA176784	RA 35EE002X966	1.000 EA
OC3015F12SP	CYL OIL CAP 15MFD/370V	1.000 EA
EC1850A06SP	ELEC CAP 115V 2.0 X 4.3 X	1.000 EA
NS2512A01	INSULATOR, CONDUIT BOX X	1.000 EA
35CB3009	35 CB CASTING W/1.09 DIA. LEAD HOLE @ 6:	1.000 EA
51XB1016A07	10-16 X 7/16 HXWSSLD SERTYB	2.000 EA
11XW1032G06	10-32 X .38, TAPTITE II, HEX WSHR SLTD U	1.000 EA
35EP3201A01	STD FR ENDPLATE-OPEN-203 BRG W/GREASER	1.000 EA
HW4500A01	1641B(ALEMITE)400 UNIV, GREASE FITT	1.000 EA
51XW0832A07	8-32 X .44, TAPTITE II, HEX WSHR SLTD SE	2.000 EA
35CB3801SP	CAPACITOR COVER, CAST	1.000 EA
HA7010	CAPACITOR RETENTION CLAMP	1.000 EA
NS2501A02	INSULATOR, CAPACITOR BOX	1.000 EA
51XB1016A08	10-16X 1/2HXWSSLD SERTYB	2.000 EA
HW5100A03SP	WAVY WASHER (W1543-017)	1.000 EA
35EP3200A01	STD PU ENDPLATE-OPEN-205 BRG W/GREASER	1.000 EA
HW4500A01	1641B(ALEMITE)400 UNIV, GREASE FITT	1.000 EA
XY1032A02	10-32 HEX NUT DIRECTIONAL SERRATION	4.000 EA
35CB4521	35 LIPPED CB LID (GALV & PHOSPH)	1.000 EA
51XW0832A07	8-32 X .44, TAPTITE II, HEX WSHR SLTD SE	4.000 EA
HW2501D13SP	KEY, 3/16 SQ X 1.375	1.000 EA
HA7000A01	KEY RETAINER 7/8" DIA SHAFT	1.000 EA
85XU0407S04	4X1/4 U DRIVE PIN STAINLESS	2.000 EA

Parts List (continued)		
Part Number	Description	Quantity
SP1006A01	TERM. BOARD, MODE 35 SW X H-23655	1.000 EA
MJ1000A75	GREASE, POLYREX EM EXXON	0.050 LB
MG1000G27	PAINT- S9282E CHARCOAL GREY	0.017 GA
WD1000A15	3-520132-2 AMP FLAG (4M/RL NON-CANC/NON-	4.000 EA
HA3100A22	THRUBOLT 10-32 X 10.125	4.000 EA
34GS5003	FOAM SLEEVE, ID = 2 1/16" X 3 3/8"	2.000 EA
SP5056A61	MODEL 35 LC STATIONARY SWITCH LEAD ASSY	1.000 EA
LB1119	WARNING LABEL	1.000 EA
LB1125C01	STD (STOCK) CARTON LABEL BALDOR WITH FLA	1.000 EA
LC0016	CONNECTION LABEL	1.000 EA
NP1256L	ALUM UL CSA CC	1.000 EA
36PA1000	PACK GROUP W/LB5001	1.000 EA

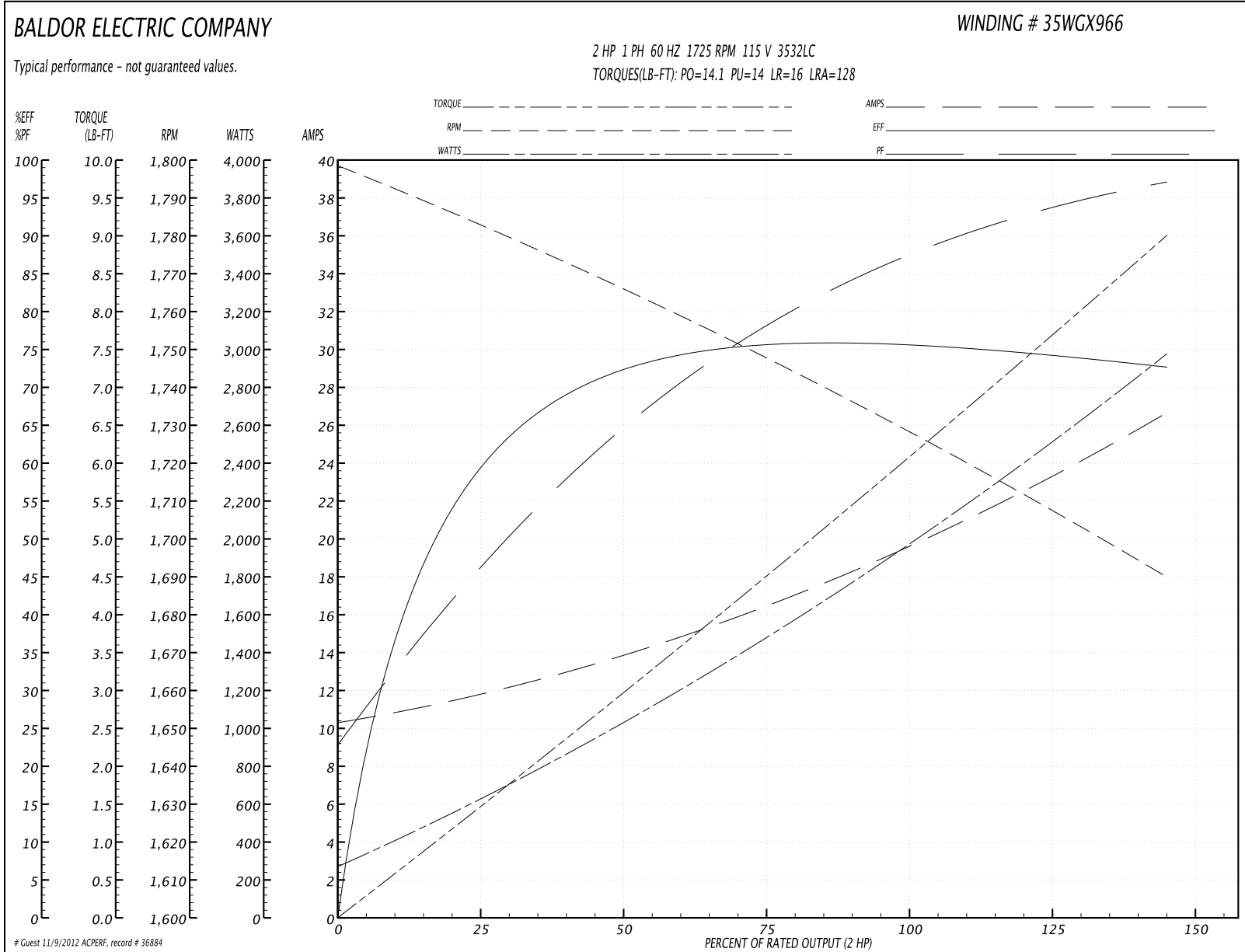
Accessories		
Part Number	Description	Multiplier
35-8764	C FACE KIT	A8
35EP1604A01SP	D-FLANGE KIT	A8

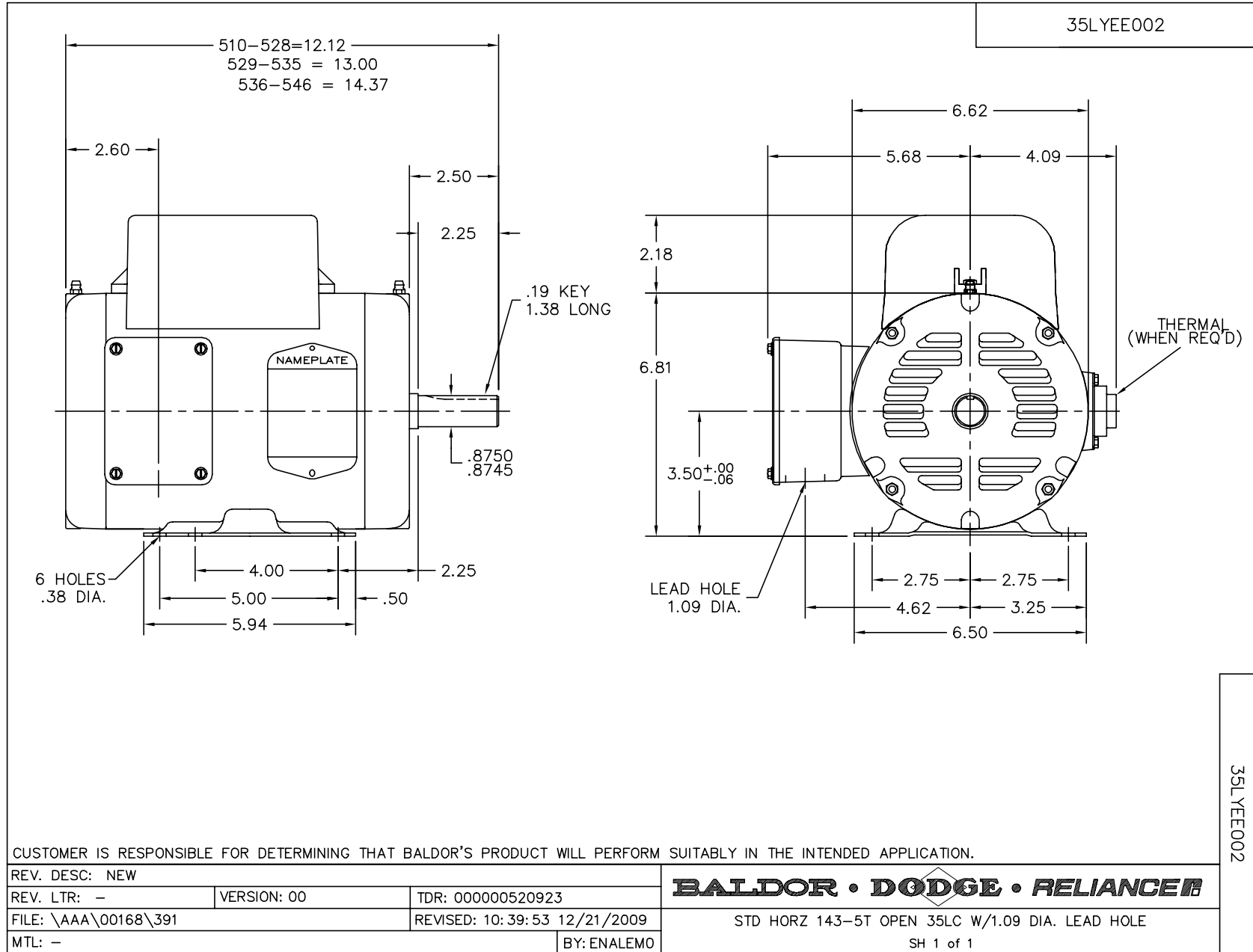
Performance Data at 115V, 60Hz, 2.0HP (Typical performance - Not guaranteed values)

General Characteristics			
Full Load Torque:	6.0 LB-FT	Start Configuration:	DOL
No-Load Current:	10.8 Amps	Break-Down Torque:	14.1 LB-FT
Line-line Res. @ 25°C.:	0.34 Ohms A Ph / 1.11 Ohms B Ph	Pull-Up Torque:	14.0 LB-FT
Temp. Rise @ Rated Load:	68 C	Locked-Rotor Torque:	16.0 LB-FT
Temp. Rise @ S.F. Load:	80 C	Starting Current:	128.0 Amps

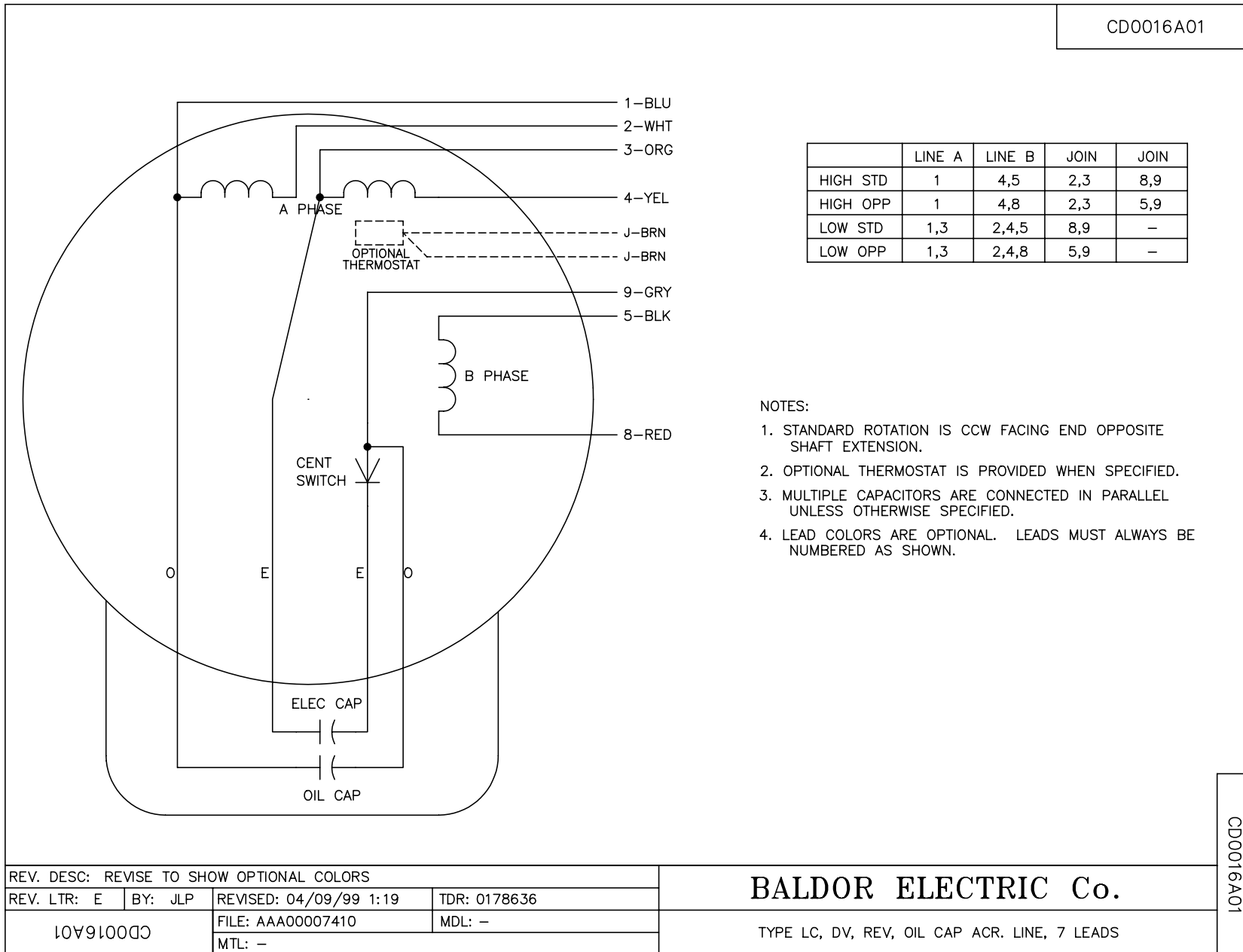
Load Characteristics							
% of Rated Load	25	50	75	100	125	150	S.F.
Power Factor:	50.0	67.0	79.0	85.0	89.0	100.0	87.0
Efficiency:	58.0	73.1	75.8	75.9	74.2	72.7	74.9
Speed:	1782.0	1767.0	1750.0	1729.0	1705.0	1693.0	1715.0
Line Amperes:	11.4	13.4	16.2	19.8	24.0	25.8	22.3

Performance Graph at 115V, 60Hz, 2.0HP Typical performance - Not guaranteed values





CD0016A01



REV. DESC: REVISE TO SHOW OPTIONAL COLORS			
REV. LTR: E	BY: JLP	REVISED: 04/09/99 1:19	TDR: 0178636
10V91000		FILE: AAA00007410	MDL: -
CD0016A01		MTL: -	

BALDOR ELECTRIC Co.

TYPE LC, DV, REV, OIL CAP ACR. LINE, 7 LEADS

CD0016A01