

BALDOR® • *RELIANCE*

Product Information Packet

L1405T-50

HP,1425RPM,1PH,50HZ,182T,3628L,OPEN,F1

Copyright © All product information within this document is subject to Baldor Electric Company copyright © protection, unless otherwise noted.

Part Detail							
Revision:	AF	Status:	PRD/A	Change #:		Proprietary:	No
Type:	AC	Prod. Type:	3628L	Elec. Spec:	36WG0394	CD Diagram:	
Enclosure:	OPEN	Mfg Plant:		Mech. Spec:	36D001	Layout:	
Frame:	182T	Mounting:	F1	Poles:	04	Created Date:	
Base:	RG	Rotation:	R	Insulation:	B	Eff. Date:	05-05-2011
Leads:	4#14 A PH,2#16 B PH	Literature:		Elec. Diagram:		Replaced By:	

Nameplate NP1372L									
CAT.NO.	L1405T-50								
SPEC.	36D01-394								
HP	2								
VOLTS	110/220								
AMP	28/14								
RPM	1425								
FRAME	182T	HZ			50	PH	1		
SER.F.	1.15	CODE			H	DES	L	CL	B
NEMA-NOM-EFF	69	PF			67				
RATING	40C AMB-CONT								
CC				USABLE AT 208V					
DE	6206	ODE			6205				
ENCL	OPEN	SN							
	IP23								

Parts List		
Part Number	Description	Quantity
SA034370	SA 36D01-394	1.000 EA
RA030398	RA 36D01-394	1.000 EA
EC1850A06SP	ELEC CAP 115V 2.0 X 4.3 X	1.000 EA
36CB3004	36 CB CASTING W/1.09 DIA LEAD HOLE @ 6:0	1.000 EA
51XB1016A08	10-16X 1/2HXWSSLD SERTYB	2.000 EA
11XW1032G06	10-32 X .38, TAPTITE II, HEX WSHR SLTD U	1.000 EA
HW3001B01	003SS CUP WASHER, FOR #8 SCREW	1.000 EA
36EP3200A01SP	FR ENDPLATE, MACH	1.000 EA
HW4500A01	1641B(ALEMITE)400 UNIV, GREASE FITT	1.000 EA
13XF0832A08	8-32 X.50 PAN HD,SLTD, TYPE F SCREW, ZIN	2.000 EA
NS2501A01	INSULATOR, CAPACITOR	1.000 EA
SP1008A01	BAFFLE, MODEL 36 & 37	1.000 EA
35CB4802A02SP	CAPACITOR COVER, STAMPED X W/AUTOPHORET	1.000 EA
51XB1016A05	10-16X5/16HX WA SL SR TYB (F/S)	2.000 EA
HW5100A05	WVY WSHR F/205 & 304 BRGS	1.000 EA
36EP3201A01	PU ENDPLATE, MACH 182-4T	1.000 EA
HW4500A01	1641B(ALEMITE)400 UNIV, GREASE FITT	1.000 EA
XY2520A12	1/4-20 HEX NUT, DIRECTIONAL SERRATIONS	4.000 EA
36CB4516	36 LIPPED CB LID	1.000 EA
51XW0832A07	8-32 X .44, TAPTITE II, HEX WSHR SLTD SE	4.000 EA
HW2501E16	3KEY, 1/4 SQ X 1.750	1.000 EA
HA7000A02	KEY RETAINER RING, 1 1/8 DIA, 1 3/8 DIA	1.000 EA
85XU0407S04	4X1/4 U DRIVE PIN STAINLESS	2.000 EA
WD1000A15	3-520132-2 AMP FLAG (4M/RL NON-CANC/NON-	2.000 EA

Parts List (continued)		
Part Number	Description	Quantity
MJ1000A75	GREASE, POLYREX EM EXXON	0.050 LB
MG1000G27	PAINT- S9282E CHARCOAL GREY	0.022 GA
HA3101A25	THRUBOLT 1/4-20 X 11.000 OHIO ROD	4.000 EA
LB5040	INSTRUCTION TAG, AC & DC	1.000 EA
SP5061A01	MODEL 36 TYPE L,F1,SMALL CAP CAN	1.000 EA
LB1125C01	STD (STOCK) CARTON LABEL BALDOR WITH FLA	1.000 EA
LB1119	WARNING LABEL	1.000 EA
LC0001	CONN LABEL TYPE L, 6 LEAD, DUAL VOLTS, R	1.000 EA
NP1372L	ALUM UL CSA CE CC	1.000 EA
36PA1000	PACK GROUP W/LB5001	1.000 EA

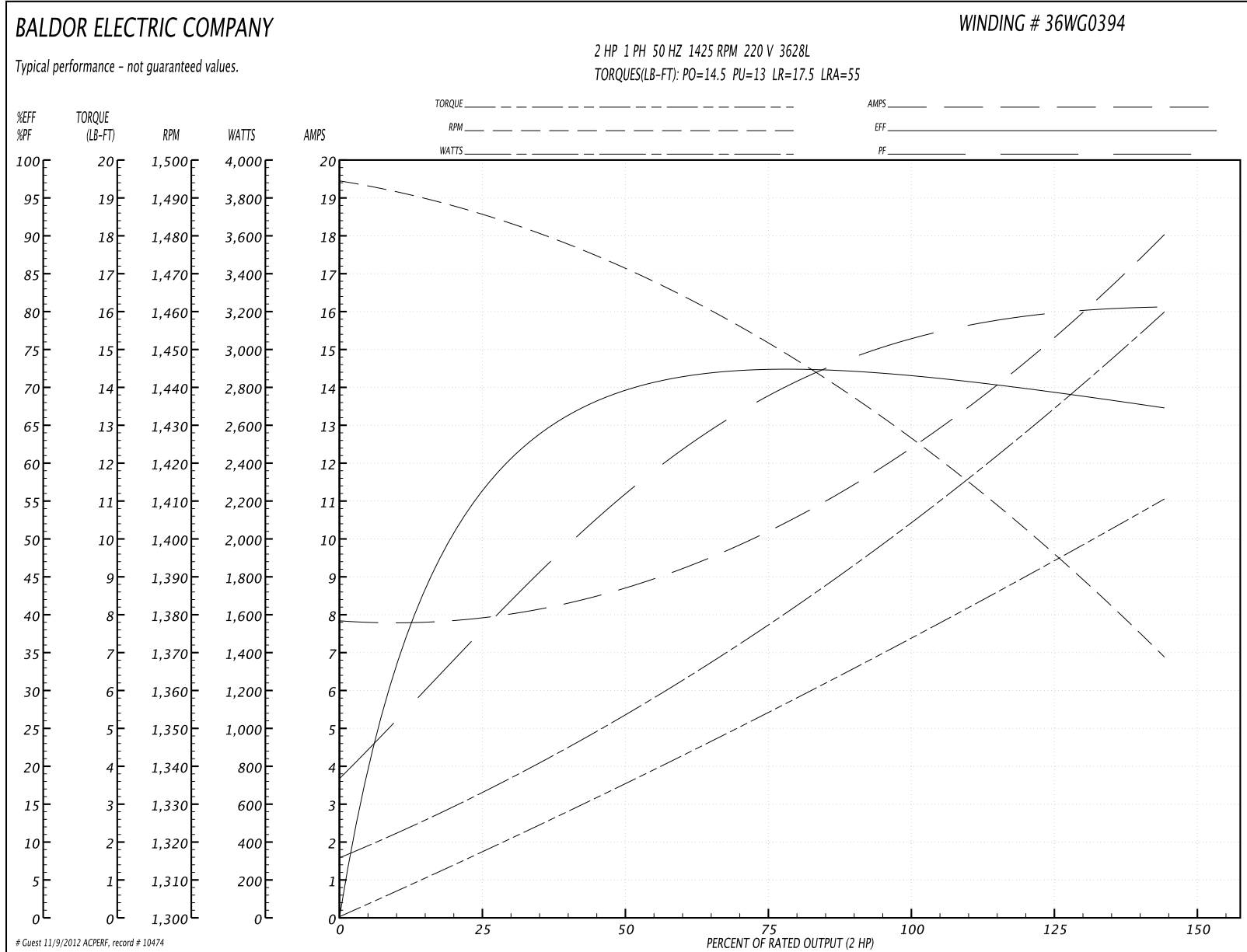
Accessories		
Part Number	Description	Multiplier
36-3403	C FACE KIT	A8
36EP1405A09SP	D-FLANGE KIT	A8

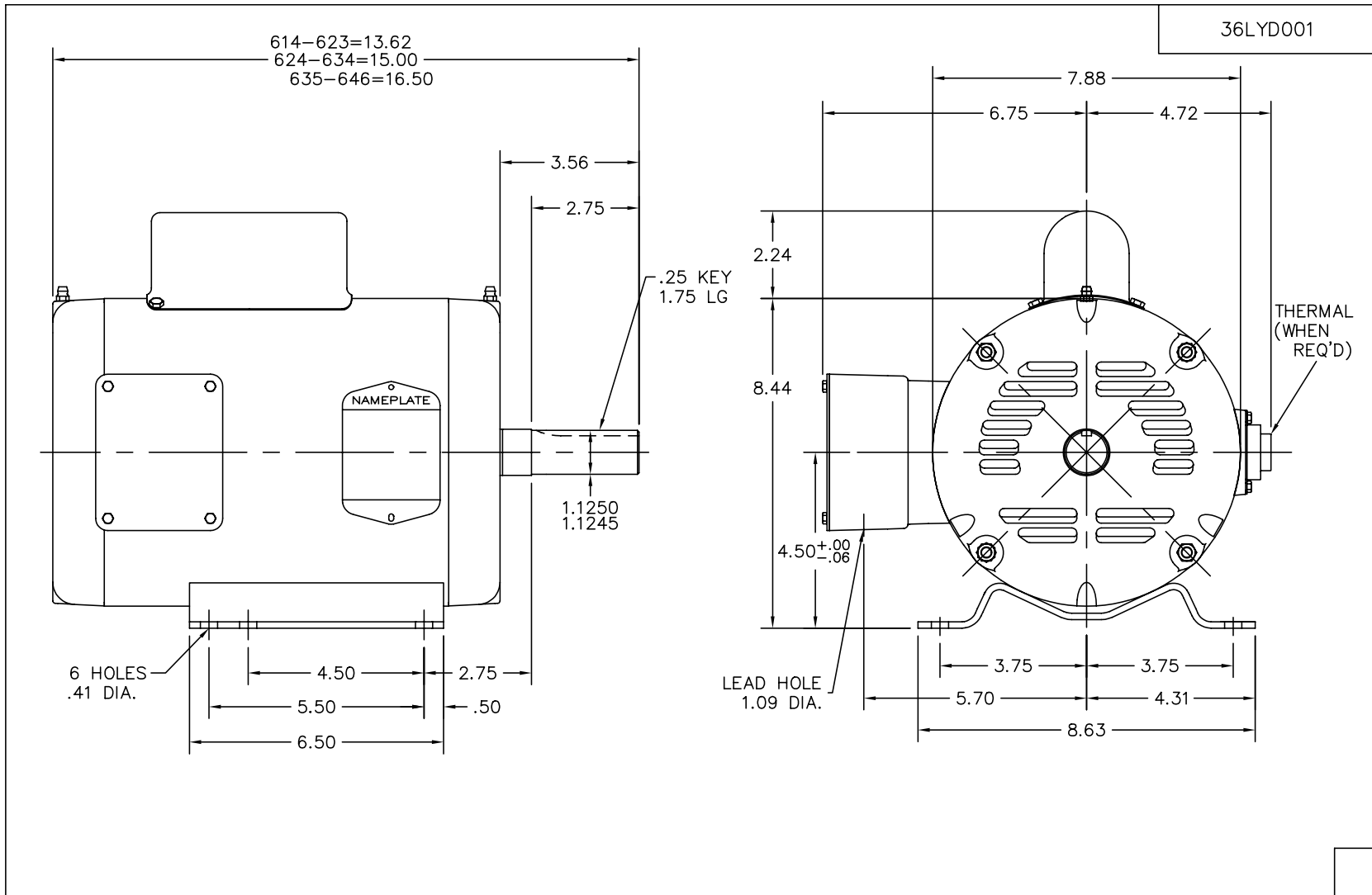
Performance Data at 220V, 50Hz, 2.0HP (Typical performance - Not guaranteed values)

General Characteristics			
Full Load Torque:	7.4 LB-FT	Start Configuration:	DOL
No-Load Current:	7.7 Amps	Break-Down Torque:	14.5 LB-FT
Line-line Res. @ 25°C.:	0.276 Ohms A Ph / 1.48 Ohms B Ph	Pull-Up Torque:	13.0 LB-FT
Temp. Rise @ Rated Load:	73 C	Locked-Rotor Torque:	17.5 LB-FT
Temp. Rise @ S.F. Load:		Starting Current:	55.0 Amps

Load Characteristics							
% of Rated Load	25	50	75	100	125	150	S.F.
Power Factor:	38.0	56.0	68.0	76.0	81.0	84.0	0.0
Efficiency:	55.1	68.1	72.2	72.6	70.7	66.4	0.0
Speed:	1483.0	1467.0	1450.0	1429.0	1402.0	1365.0	0.0
Line Amperes:	8.05	8.95	10.4	12.3	14.8	18.3	0.0

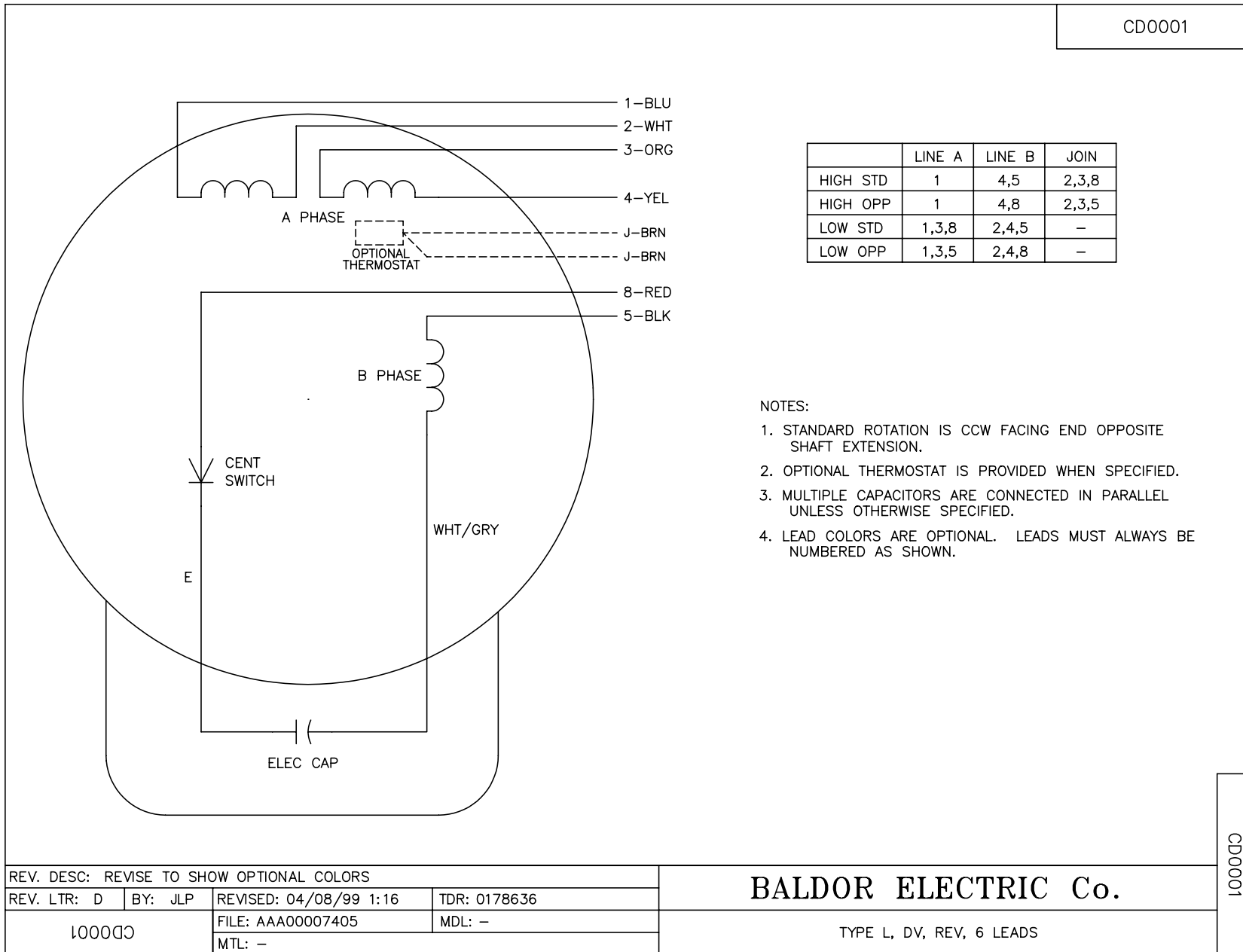
Performance Graph at 220V, 50Hz, 2.0HP Typical performance - Not guaranteed values





CUST. NAME		CUST. P.O.		CERTIFIED BY		MODEL		INSUL		AMB	
H.P.		MTG		TYPE		R.P.M.		VOLTS		ENCL	
REV. LTR: K		BY: JED		REVISED: 01/26/99 9:59		TDR: 0171561		PHASE		FREQ	
100A 192		FILE: AAA00002580		MDL: -		MTL: -		STD HORZ 182-4T OPEN 36L		36LYD001	
BALDOR ELECTRIC Co.											

CD0001



CD0001

REV. DESC: REVISE TO SHOW OPTIONAL COLORS			
REV. LTR: D	BY: JLP	REVISED: 04/08/99 1:16	TDR: 0178636
100000		FILE: AAA00007405	MDL: -
		MTL: -	

BALDOR ELECTRIC Co.

TYPE L, DV, REV, 6 LEADS