

BALDOR® • RELIANCE

Product Information Packet

L1406T

3HP,3450RPM,1PH,60HZ,182T,3628L,OPEN,F1

Copyright © All product information within this document is subject to Baldor Electric Company copyright © protection, unless otherwise noted.

Part Detail							
Revision:	W	Status:	PRD/A	Change #:		Proprietary:	No
Type:	AC	Prod. Type:	3628L	Elec. Spec:	36WG0115	CD Diagram:	
Enclosure:	OPEN	Mfg Plant:		Mech. Spec:	36D001	Layout:	
Frame:	182T	Mounting:	F1	Poles:	02	Created Date:	
Base:	RG	Rotation:	R	Insulation:	B	Eff. Date:	05-05-2011
Leads:	4#14 A PH,2#16 B PH	Literature:		Elec. Diagram:		Replaced By:	

Nameplate NP1256L									
CAT.NO.	L1406T								
SPEC.	36D01-115								
HP	3								
VOLTS	115/230								
AMP	28/14								
RPM	3450								
FRAME	182T	HZ	60	PH	1				
SER.F.	1.15	CODE	G	DES	L	CLASS	B		
NEMA-NOM-EFF	78	PF	88						
RATING	40C AMB-CONT								
CC				USABLE AT 208V	14.7				
DE	6206	ODE	6205						
ENCL	OPEN	SN							

Parts List		
Part Number	Description	Quantity
SA034367	SA 36D01-115	1.000 EA
RA030395	RA 36D01-115	1.000 EA
36CB3004	36 CB CASTING W/1.09 DIA LEAD HOLE @ 6:0	1.000 EA
51XB1016A08	10-16X 1/2HXWSSLD SERTYB	2.000 EA
11XW1032G06	10-32 X .38, TAPTITE II, HEX WSHR SLTD U	1.000 EA
HW3001B01	003SS CUP WASHER, FOR #8 SCREW	1.000 EA
36EP3200A01SP	FR ENDPLATE, MACH	1.000 EA
HW4500A01	1641B(ALEMITE)400 UNIV, GREASE FITT	1.000 EA
13XF0832A08	8-32 X.50 PAN HD,SLTD, TYPE F SCREW, ZIN	2.000 EA
NS2501A01	INSULATOR, CAPACITOR	1.000 EA
SP1008A01	BAFFLE, MODEL 36 & 37	1.000 EA
35CB4802A02SP	CAPACITOR COVER, STAMPED X W/AUTOPHORET	1.000 EA
51XB1016A05	10-16X5/16HX WA SL SR TYB (F/S)	2.000 EA
HW5100A05	WVY WSHR F/205 & 304 BRGS	1.000 EA
36EP3201A01	PU ENDPLATE, MACH 182-4T	1.000 EA
HW4500A01	1641B(ALEMITE)400 UNIV, GREASE FITT	1.000 EA
XY2520A12	1/4-20 HEX NUT, DIRECTIONAL SERRATIONS	4.000 EA
36CB4516	36 LIPPED CB LID	1.000 EA
51XW0832A07	8-32 X .44, TAPTITE II, HEX WSHR SLTD SE	4.000 EA
HW2501E16	3KEY, 1/4 SQ X 1.750	1.000 EA
HA7000A02	KEY RETAINER RING, 1 1/8 DIA, 1 3/8 DIA	1.000 EA
85XU0407S04	4X1/4 U DRIVE PIN STAINLESS	2.000 EA
WD1000A15	3-520132-2 AMP FLAG (4M/RL NON-CANC/NON-	2.000 EA
MJ1000A75	GREASE, POLYREX EM EXXON	0.050 LB

Parts List (continued)		
Part Number	Description	Quantity
MG1000G27	PAINT- S9282E CHARCOAL GREY	0.022 GA
EC1850A06SP	ELEC CAP 115V 2.0 X 4.3 X	1.000 EA
HA3101A25	THRUBOLT 1/4-20 X 11.000 OHIO ROD	4.000 EA
SP5061A01	MODEL 36 TYPE L,F1,SMALL CAP CAN	1.000 EA
LB1125C01	STD (STOCK) CARTON LABEL BALDOR WITH FLA	1.000 EA
LC0001A01	CONN LABEL / WARNING LABEL (LC0001 / LB1	1.000 EA
NP1256L	ALUM UL CSA CC	1.000 EA
36PA1000	PACK GROUP W/LB5001	1.000 EA

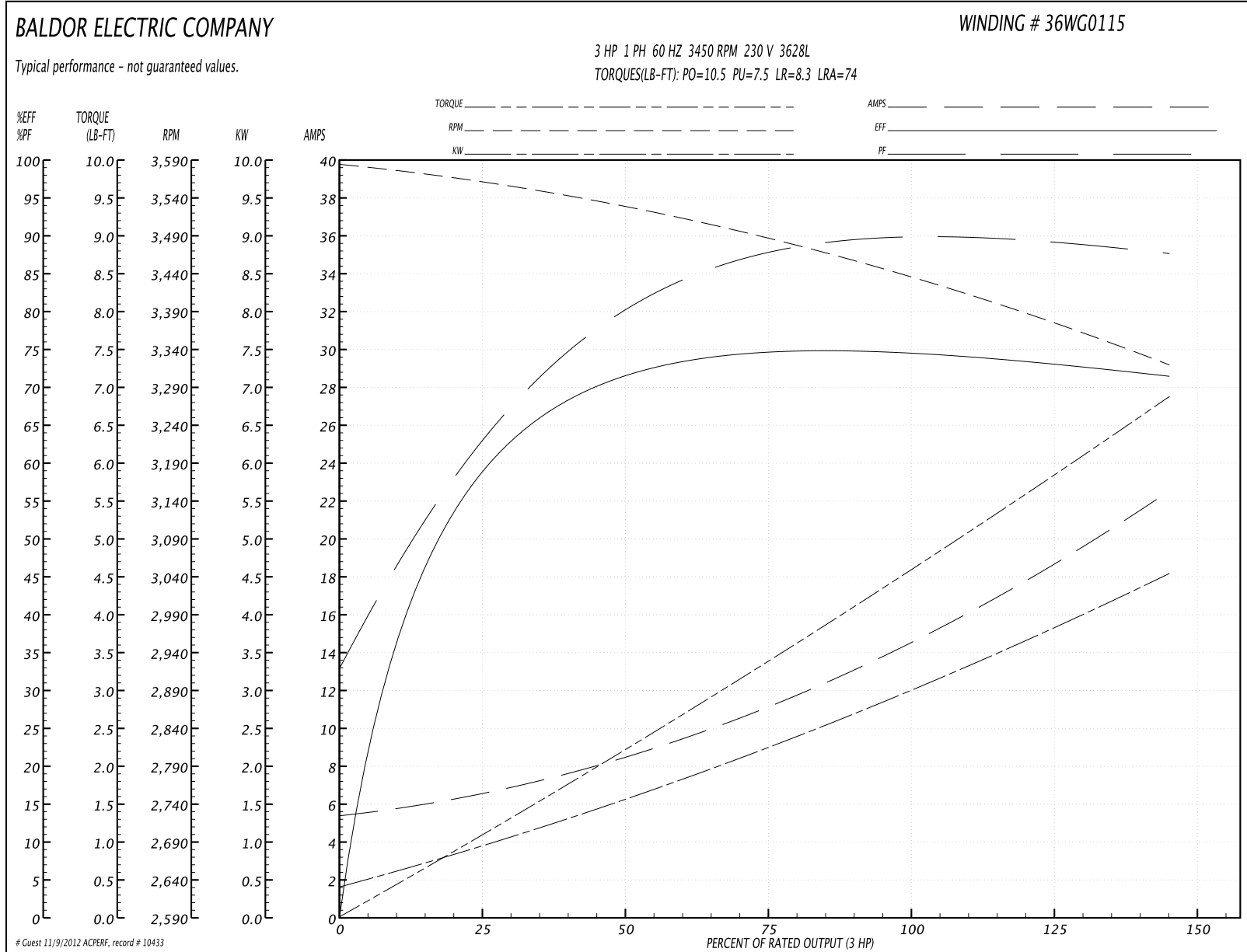
Accessories		
Part Number	Description	Multiplier
36-3403	C FACE KIT	A8
36EP1405A09SP	D-FLANGE KIT	A8

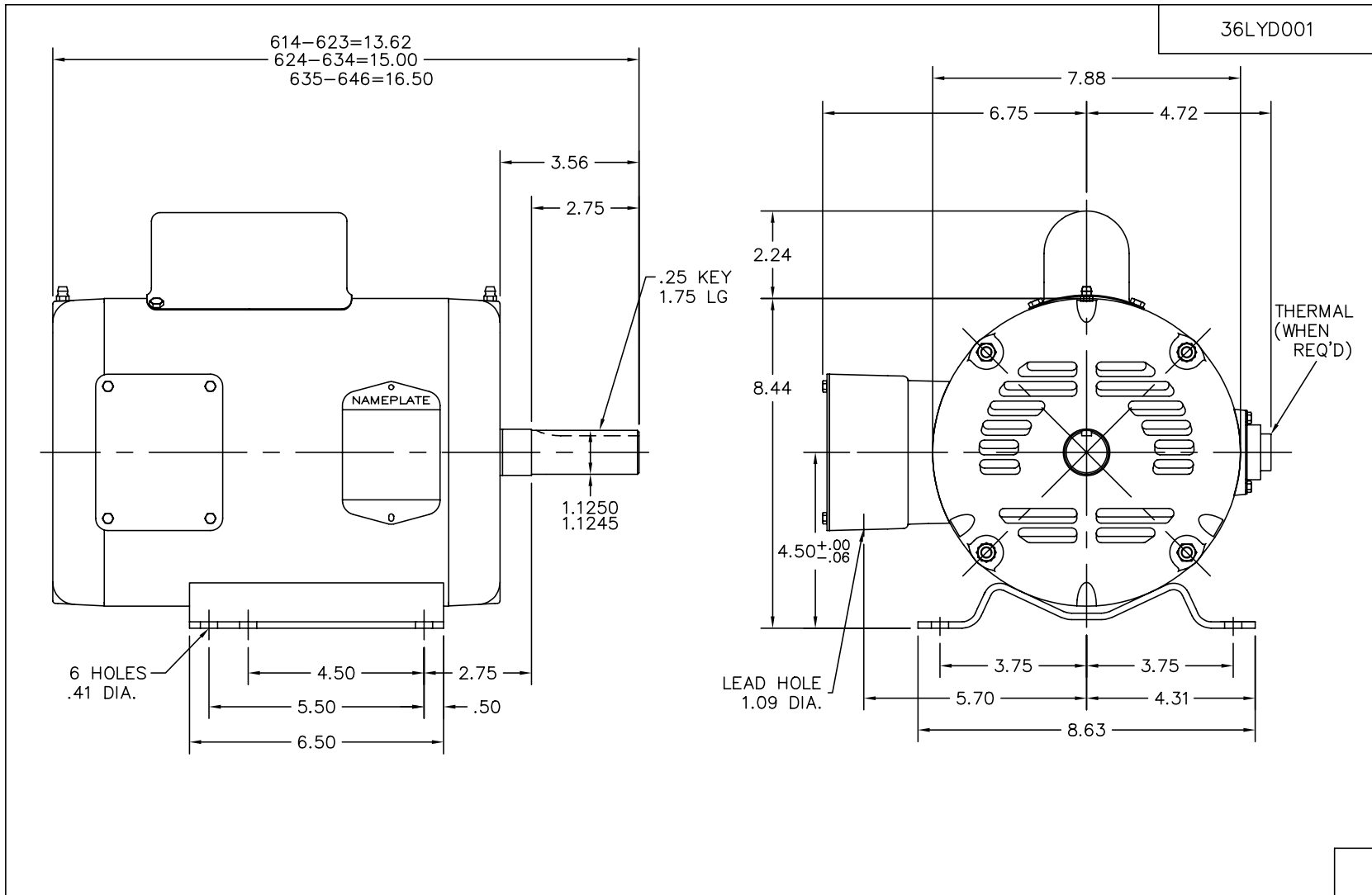
Performance Data at 230V, 60Hz, 3.0HP (Typical performance - Not guaranteed values)

General Characteristics			
Full Load Torque:	4.6 LB-FT	Start Configuration:	DOL
No-Load Current:	5.35 Amps	Break-Down Torque:	10.5 LB-FT
Line-line Res. @ 25°C.:	0.175 Ohms A Ph / 0.914 Ohms B Ph	Pull-Up Torque:	7.5 LB-FT
Temp. Rise @ Rated Load:	56 C	Locked-Rotor Torque:	8.3 LB-FT
Temp. Rise @ S.F. Load:	74 C	Starting Current:	74.0 Amps

Load Characteristics							
% of Rated Load	25	50	75	100	125	150	S.F.
Power Factor:	63.0	79.0	86.0	89.0	91.0	91.0	90.0
Efficiency:	58.1	70.7	74.6	75.2	73.9	70.9	74.4
Speed:	3557.0	3522.0	3484.0	3439.0	3385.0	3314.0	3407.0
Line Amperes:	6.6	8.7	11.4	14.5	18.2	22.7	16.7

Performance Graph at 230V, 60Hz, 3.0HP Typical performance - Not guaranteed values

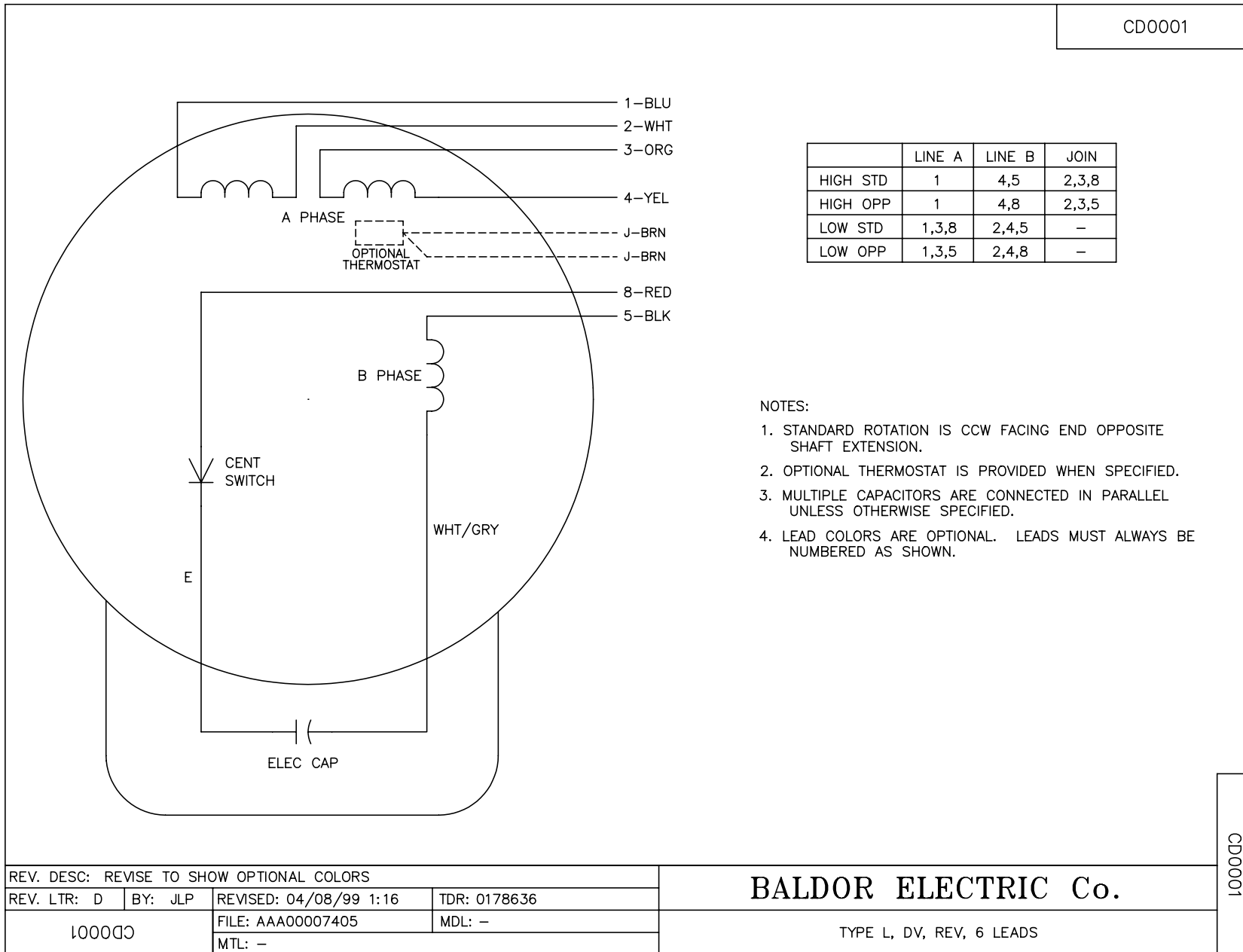




CUST. NAME		CUST. P.O.		CERTIFIED BY		MODEL		INSUL		AMB	
H.P.		MTG		TYPE		R.P.M.		VOLTS		ENCL	
REV. LTR: K		BY: JED		REVISED: 01/26/99 9:59		TDR: 0171561		PHASE		FREQ	
100A 192		FILE: AAA00002580		MDL: -		MTL: -		STD HORZ 182-4T OPEN 36L		36LYD001	

BALDOR ELECTRIC Co.

CD0001



	LINE A	LINE B	JOIN
HIGH STD	1	4,5	2,3,8
HIGH OPP	1	4,8	2,3,5
LOW STD	1,3,8	2,4,5	-
LOW OPP	1,3,5	2,4,8	-

NOTES:

1. STANDARD ROTATION IS CCW FACING END OPPOSITE SHAFT EXTENSION.
2. OPTIONAL THERMOSTAT IS PROVIDED WHEN SPECIFIED.
3. MULTIPLE CAPACITORS ARE CONNECTED IN PARALLEL UNLESS OTHERWISE SPECIFIED.
4. LEAD COLORS ARE OPTIONAL. LEADS MUST ALWAYS BE NUMBERED AS SHOWN.

REV. DESC: REVISE TO SHOW OPTIONAL COLORS			
REV. LTR: D	BY: JLP	REVISED: 04/08/99 1:16	TDR: 0178636
100000		FILE: AAA00007405	MDL: -
		MTL: -	

BALDOR ELECTRIC Co.

TYPE L, DV, REV, 6 LEADS

CD0001