

# **BALDOR**® • **RELIANCE**

## **Product Information Packet**

### **L3351**

**.08HP, 1725RPM, 1PH, 60HZ, 42, 3310L, TEFC, F1**

Copyright © All product information within this document is subject to Baldor Electric Company copyright © protection, unless otherwise noted.

Part Detail							
Revision:	AB	Status:	PRD/A	Change #:		Proprietary:	No
Type:	AC	Prod. Type:	3310L	Elec. Spec:	33WG0933	CD Diagram:	
Enclosure:	TEFC	Mfg Plant:		Mech. Spec:		Layout:	
Frame:	42	Mounting:	F1	Poles:	04	Created Date:	06-25-2007
Base:		Rotation:	R	Insulation:	B	Eff. Date:	10-26-2012
Leads:	6#18	Literature:		Elec. Diagram:		Replaced By:	

Nameplate NP1256L									
CAT.NO.	L3351								
SPEC.	33-850-933								
HP	.08								
VOLTS	115/230								
AMP	2/1								
RPM	1725								
FRAME	42	HZ	60	PH	1				
SER.F.	1.40	CODE	M	DES	-	CLASS	B		
NEMA-NOM-EFF	44	PF	52						
RATING	40C AMB-CONT								
CC				USABLE AT 208V	1.15				
DE	6203	ODE							
ENCL	TEFC	SN							
	SFA 2.2/1.1								

Parts List		
Part Number	Description	Quantity
SA007362	SA 33-850-933	1.000 EA
RA003809	RA 33-850-933	1.000 EA
EC1064A01	ELEC CAP, 64-77 MFD, 125V, 1.48D X 2.	1.000 EA
LC0001	CONN LABEL TYPE L, 6 LEAD, DUAL VOLTS, R	1.000 EA
LD2004A01	ASM,1LD 18 BLK E 4.5" INS & NON-INS FLAG	1.000 EA
LD2004A13	ASM,1LD 18 RED 8 11.0" INS FLAG TERM	1.000 EA
HA3100A79	THRUBOLT 10-32 X 6.625	2.000 EA
51XB1016A04	10-16 X 1/4 HX WA SL SR TYB (F/S)	2.000 EA
33EP3100A01SP	EP,33AC ODE GP 6203 TEFC W/DRAIN	1.000 EA
HW5100A03SP	WAVY WASHER (W1543-017)	1.000 EA
SP5073SP	MODEL 33 SINGLE PHASE STATIONARY SWITCH	1.000 EA
51XW0832A07	8-32 X .44, TAPTITE II, HEX WSHR SLTD SE	2.000 EA
34CB4800SP	CAPACITOR COVER, STAMPED	1.000 EA
34GS3000SP	GASKET, CAPACITOR BOX	1.000 EA
33EP3100A02	PU ENDPLATE, MACH	1.000 EA
34CB3002C	CB CAST W/.69 DIA HOLE	1.000 EA
34GS1029A01	GASKET, CONDUIT BOX	1.000 EA
51XB1016A07	10-16 X 7/16 HXWSSLD SERTYB	2.000 EA
11XW1032G06	10-32 X .38, TAPTITE II, HEX WSHR SLTD U	1.000 EA
34CB4517	CB LID 4 MTG HOLES .22 DIA STAMPED, FOR	1.000 EA
34GS1031A01	GASKET, FLAT CONDUIT BOX LID (LEXIDE)	1.000 EA
XY1032A02	10-32 HEX NUT DIRECTIONAL SERRATION	2.000 EA
33FN3000SP	EXTERNAL FAN, PLASTIC	1.000 EA
12XN0832A16	8-32 X 1.00" SLT HEX HD ZINC PLATED	1.000 EA

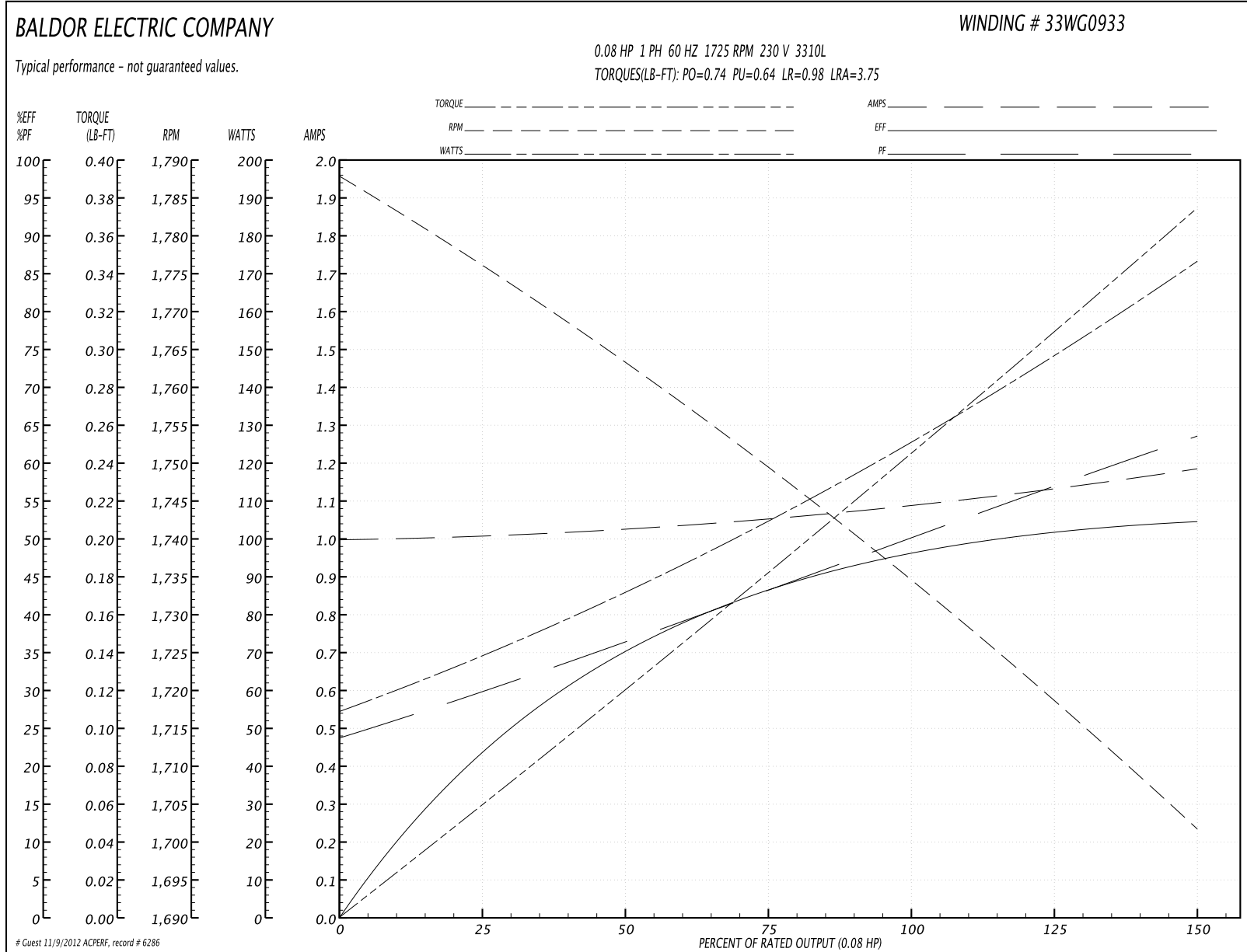
Parts List (continued)		
Part Number	Description	Quantity
HW1003A08	WASHER, #8 EX TH LK, ZN (F/S)	1.000 EA
XY0832A02	8-32 HEX NUT	1.000 EA
33FH4001A01	FAN COVER, STAMPED	1.000 EA
51XB1016A06	10-16X3/8 HXWSSLD SERTYB	3.000 EA
MG1000G27	PAINT- S9282E CHARCOAL GREY	0.013 GA
51XW0832A07	8-32 X .44, TAPTITE II, HEX WSHR SLTD SE	4.000 EA
LB1171	LABEL CARTON 6X6 ON LINE BLANK ROLLS	1.000 EA
NP1256L	ALUM UL CSA CC	1.000 EA
LB1119	WARNING LABEL	1.000 EA
85XU0407S04	4X1/4 U DRIVE PIN STAINLESS	2.000 EA
34PA1002	PACKING GROUP, BALDOR	1.000 EA

**Performance Data at 230V, 60Hz, 0.08HP (Typical performance - Not guaranteed values)**

General Characteristics			
Full Load Torque:	0.25 LB-FT	Start Configuration:	DOL
No-Load Current:	0.99 Amps	Break-Down Torque:	0.74 LB-FT
Line-line Res. @ 25°C.:	27.9 Ohms A Ph / 20.1 Ohms B Ph	Pull-Up Torque:	0.64 LB-FT
Temp. Rise @ Rated Load:	37 C	Locked-Rotor Torque:	0.98 LB-FT
Temp. Rise @ S.F. Load:	44 C	Starting Current:	3.75 Amps

Load Characteristics							
% of Rated Load	25	50	75	100	125	150	S.F.
Power Factor:	37.0	41.0	47.0	54.0	59.0	64.0	62.0
Efficiency:	27.5	34.9	42.2	47.9	51.2	52.6	52.0
Speed:	1772.0	1762.0	1750.0	1734.0	1718.0	1701.0	1707.0
Line Amperes:	1.02	1.03	1.05	1.09	1.13	1.19	1.16

Performance Graph at 230V, 60Hz, 0.08HP Typical performance - Not guaranteed values

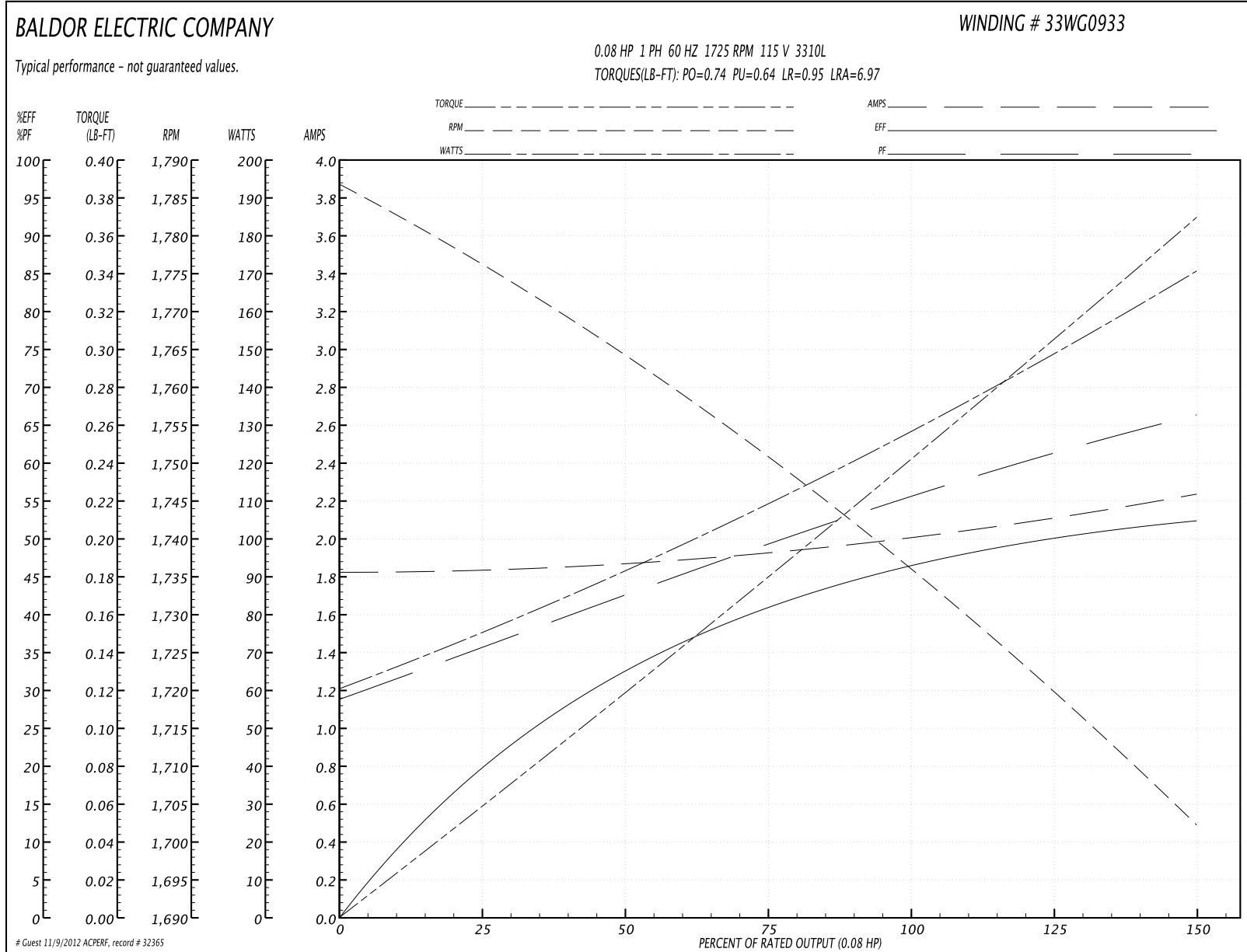


**Performance Data at 115V, 60Hz, 0.08HP (Typical performance - Not guaranteed values)**

General Characteristics			
Full Load Torque:	0.242 LB-FT	Start Configuration:	DOL
No-Load Current:	1.82 Amps	Break-Down Torque:	0.74 LB-FT
Line-line Res. @ 25°C.:	7.3 Ohms A Ph / 19.2 Ohms B Ph	Pull-Up Torque:	0.64 LB-FT
Temp. Rise @ Rated Load:		Locked-Rotor Torque:	0.95 LB-FT
Temp. Rise @ S.F. Load:		Starting Current:	6.97 Amps

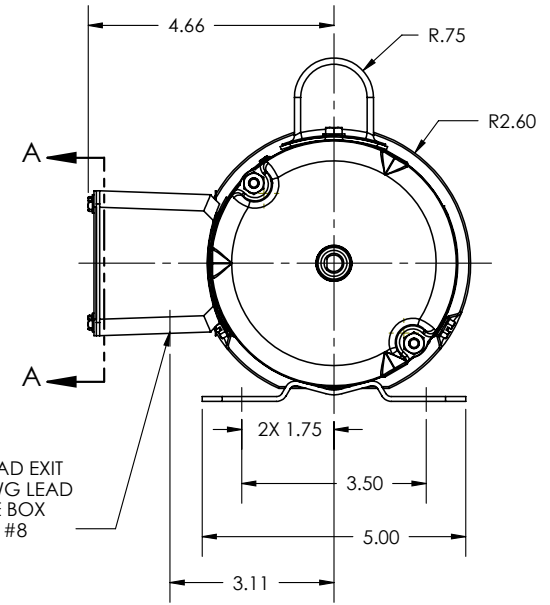
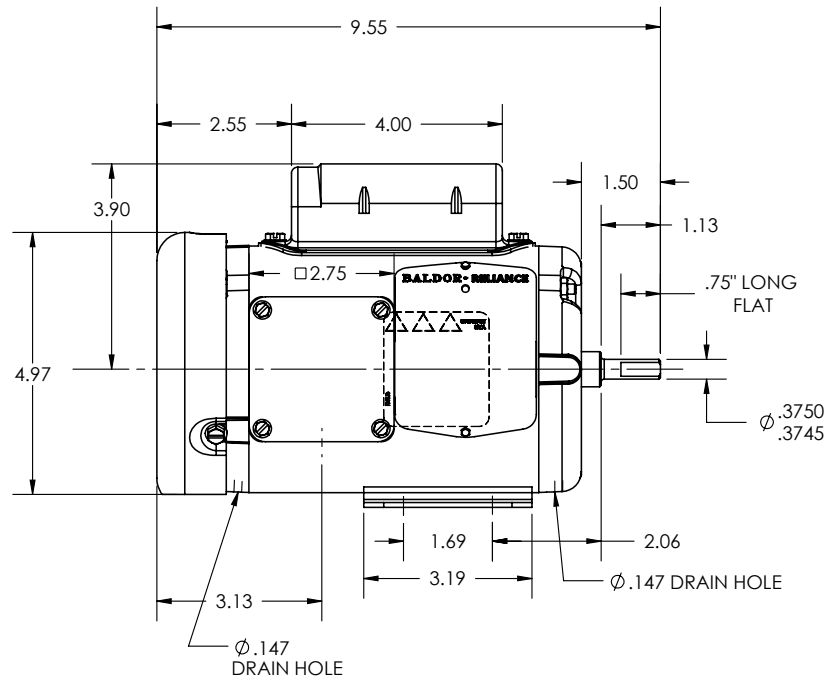
Load Characteristics							
% of Rated Load	25	50	75	100	125	150	S.F.
Power Factor:	36.0	43.0	49.0	56.0	61.0	66.0	64.0
Efficiency:	19.8	32.5	40.9	46.6	50.2	52.4	51.5
Speed:	1776.0	1764.0	1751.0	1736.0	1720.0	1702.0	1709.0
Line Amperes:	1.84	1.87	1.93	2.0	2.11	2.24	2.19

Performance Graph at 115V, 60Hz, 0.08HP Typical performance - Not guaranteed values

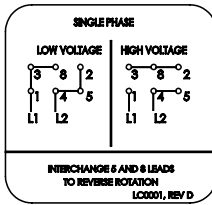




33-850-933



Ø .69 LEAD EXIT  
6X 18AWG LEAD  
4" INSIDE BOX  
#1-#5 & #8



SECTION A-A

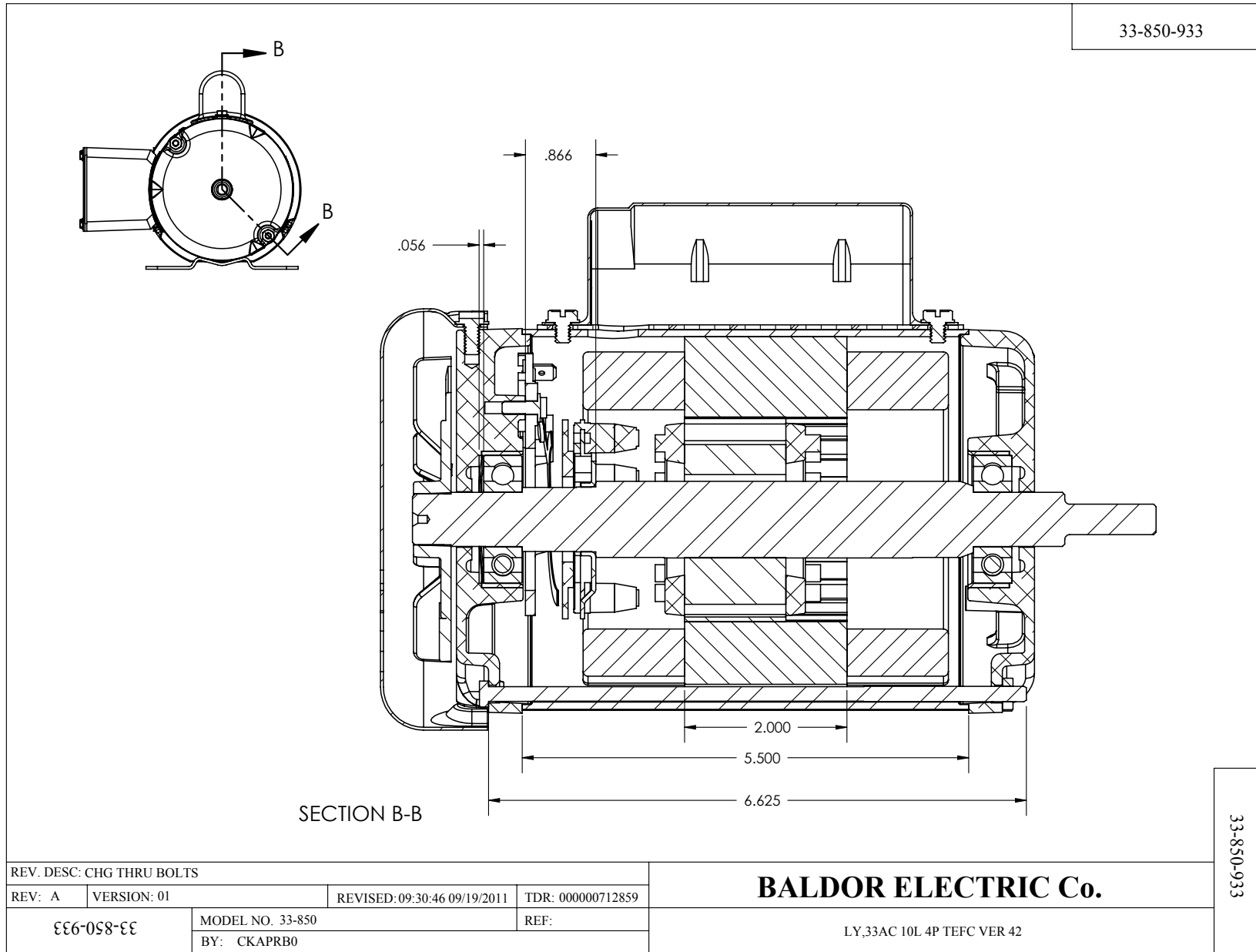
CUSTOMER IS RESPONSIBLE FOR DETERMINING THAT BALDOR'S PRODUCT WILL PERFORM SUITABLY IN THE INTENDED APPLICATION

REV. DESC: CHG THRU BOLTS			
REV: A	VERSION: 01	REVISED: 09:30:46 09/19/2011	TDR: 000000712859
MODEL NO. 33-850		REF:	
BY: CKAPRB0			

**BALDOR**

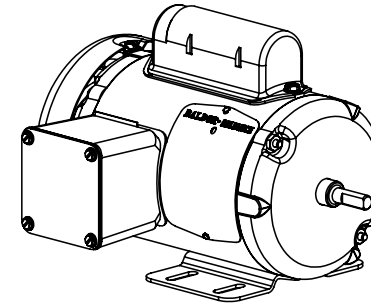
LY\_33AC 10L 4P TEFC VER 42

33-850-933



ITEM NO.	PART NUMBER	33-850-933/QTY.
1	33EP3100A02	1
2	33SH7158A01	1
3	SKF - 6203 - 10,DE,NC,10_68	2
4	33RA4110A00A01	1
5	RS9005	1
6	33SA9210A32	1
7	33EP3100A01	1
8	HW5100A03	1
9	SP5073	1
10	51XB1016A07	2
11	51XB1016A04	2
12	NS2512A01	1
13	34GS1029	1
14	34CB3002A64	1
15	11XW1032G06	1
16	34GS1031A01	1
17	34CB4517	1
18	34GS3000	1
19	34CB4800	1
20	NS2500A01	1
21	33FN3000	1
22	12XN0832A16	1
23	XY1032A02	3
24	HW1003A08	1
25	33FH4001A01	1
26	LB1119	1
27	51XT0832A07	6
28	99XM0440S01	2
29	NP1256	1
30	HA3100A79	2
31	51XB1016A06	3
32	33f flex horizontal	1

33-850-933



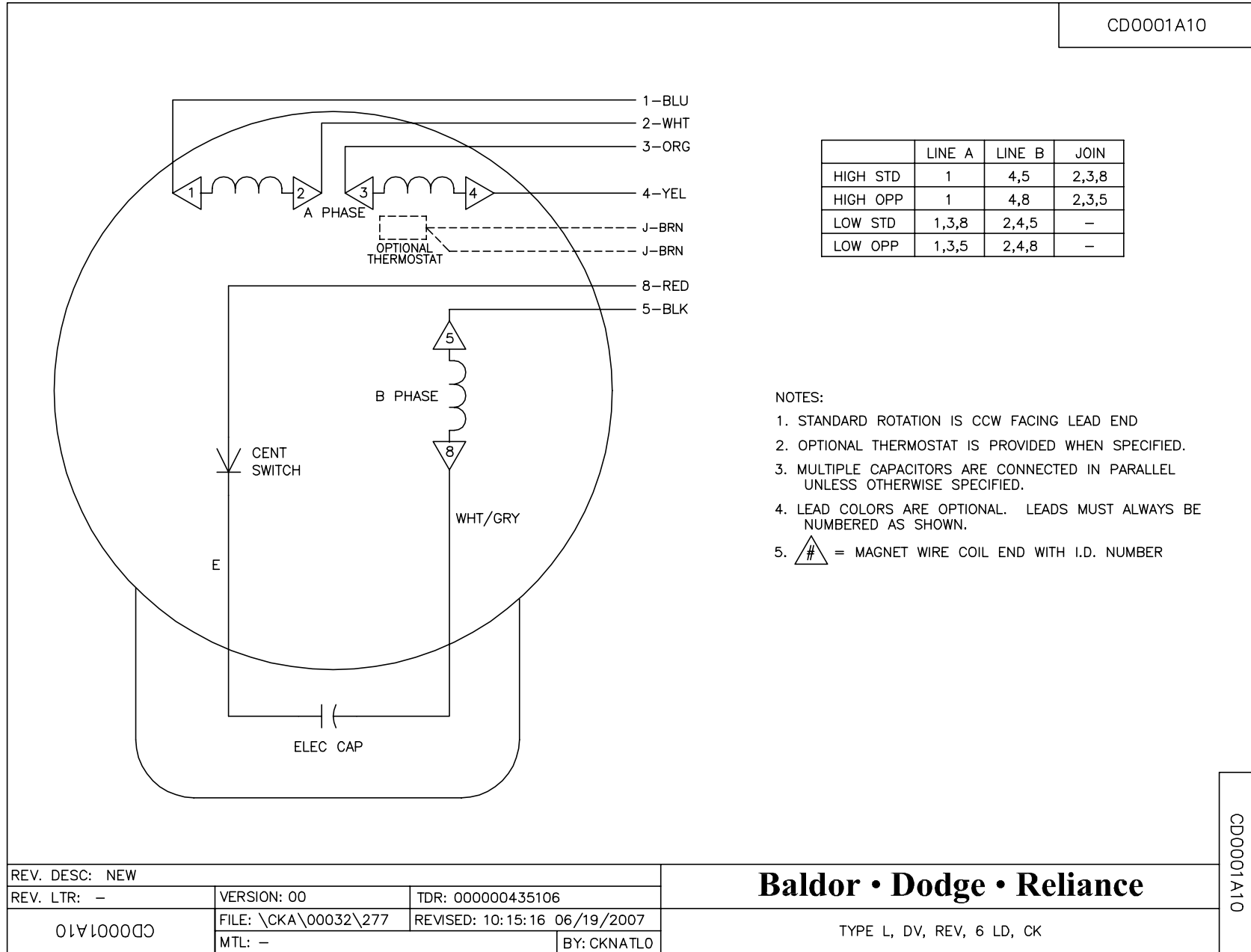
33-850-933

REV. DESC: CHG THRU BOLTS			
REV: A	VERSION: 01	REVISED: 09:30:46 09/19/2011	TDR: 000000712859
MODEL NO. 33-850		REF:	
BY: CKAPRB0			

**BALDOR ELECTRIC Co.**

LY,33AC 10L 4P TEFC VER 42

CD0001A10



CD0001A10

**Baldor • Dodge • Reliance**

TYPE L, DV, REV, 6 LD, CK