

# **BALDOR® • RELIANCE**

## **Product Information Packet**

### **L3352**

**.13HP,3450RPM,1PH,60HZ,42,3310L,TEFC,F1**

Copyright © All product information within this document is subject to Baldor Electric Company copyright © protection, unless otherwise noted.

Part Detail									
Revision:	Z	Status:	PRD/A	Change #:		Proprietary:	No		
Type:	AC	Prod. Type:	3310L	Elec. Spec:	33WG0931	CD Diagram:			
Enclosure:	TEFC	Mfg Plant:		Mech. Spec:	33-850	Layout:			
Frame:	42	Mounting:	F1	Poles:	02	Created Date:	06-25-2007		
Base:	RG	Rotation:	R	Insulation:	B	Eff. Date:	10-26-2012		
Leads:	6#18	Literature:		Elec. Diagram:		Replaced By:			
Nameplate NP1256L									
CAT.NO.	L3352								
SPEC.	33-850-931								
HP	.13								
VOLTS	115/230								
AMP	2.5/1.25								
RPM	3450								
FRAME	42	HZ	60	PH	1				
SER.F.	1.40	CODE	M	DES	-	CLASS	B		
NEMA-NOM-EFF	45	PF	62						
RATING	40C AMB-CONT								
CC					USABLE AT 208V	1.6			
DE	6203	ODE	6203						
ENCL	TEFC	SN							
	SFA 3/1.5								

Parts List		
Part Number	Description	Quantity
SA007360	SA 33-850-931	1.000 EA
RA003807	RA 33-850-931	1.000 EA
EC1088A02	ELEC CAP, 88-106 MFD, 125V, 1.48D X 3.	1.000 EA
34CB3002C	CB CAST W/.69 DIA HOLE	1.000 EA
34GS1029A01	GASKET, CONDUIT BOX	1.000 EA
51XB1016A07	10-16 X 7/16 HXWSSLD SERTYB	2.000 EA
11XW1032G06	10-32 X .38, TAPTITE II, HEX WSHR SLTD U	1.000 EA
51XW0832A07	8-32 X .44, TAPTITE II, HEX WSHR SLTD SE	2.000 EA
MG1000G27	PAINT- S9282E CHARCOAL GREY	0.013 GA
85XU0407S04	4X1/4 U DRIVE PIN STAINLESS	2.000 EA
33EP3100A01SP	EP,33AC ODE GP 6203 TEFC W/DRAIN	1.000 EA
34CB4800SP	CAPACITOR COVER, STAMPED	1.000 EA
34GS3000SP	GASKET, CAPACITOR BOX	1.000 EA
SP5073SP	MODEL 33 SINGLE PHASE STATIONARY SWITCH	1.000 EA
LD2004A01	ASM,1LD 18 BLK E 4.5" INS & NON-INS FLAG	1.000 EA
LD2004A12	ASM,1LD 18 RED 8 9.0" INS FLAG TERM	1.000 EA
HA3100A79	THRUBOLT 10-32 X 6.625	2.000 EA
51XB1016A04	10-16 X 1/4 HX WA SL SR TYB (F/S)	2.000 EA
HW5109A05	WASHER, WAVE SPRING FOR 40MM BORE SMALLE	1.000 EA
33EP3100A02	PU ENDPLATE, MACH	1.000 EA
XY1032A02	10-32 HEX NUT DIRECTIONAL SERRATION	2.000 EA
33FN3000SP	EXTERNAL FAN, PLASTIC	1.000 EA
12XN0832A16	8-32 X 1.00" SLT HEX HD ZINC PLATED	1.000 EA
HW1003A08	WASHER, #8 EX TH LK, ZN (F/S)	1.000 EA

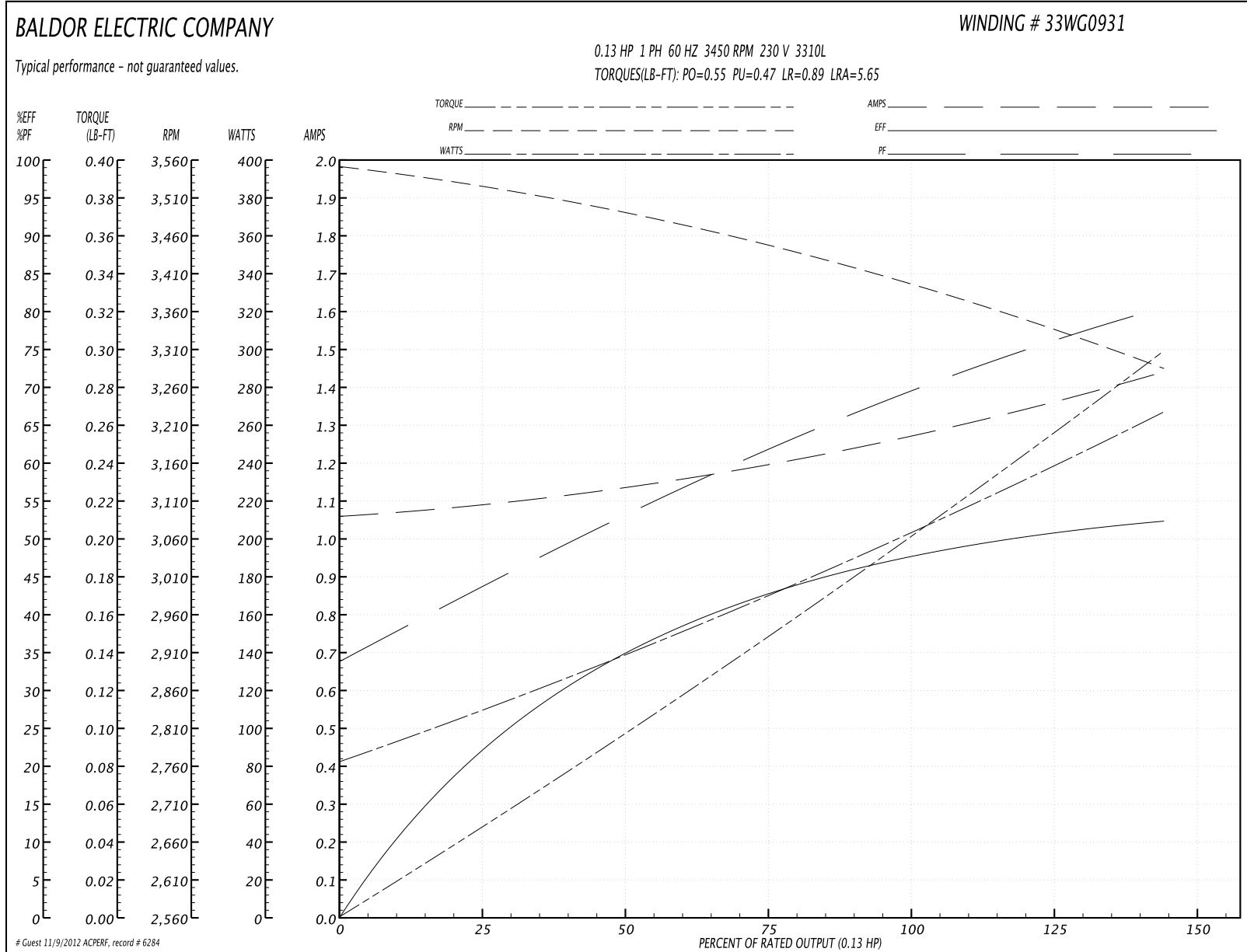
Parts List (continued)		
Part Number	Description	Quantity
XY0832A02	8-32 HEX NUT	1.000 EA
33FH4001A01	FAN COVER, STAMPED	1.000 EA
51XB1016A06	10-16X3/8 HXWSSLD SERTYB	3.000 EA
34CB4517	CB LID 4 MTG HOLES .22 DIA STAMPED, FOR	1.000 EA
34GS1031A01	GASKET, FLAT CONDUIT BOX LID (LEXIDE)	1.000 EA
51XW0832A07	8-32 X .44, TAPTITE II, HEX WSHR SLTD SE	4.000 EA
LB1171	LABEL CARTON 6X6 ON LINE BLANK ROLLS	1.000 EA
LC0001A01	CONN LABEL / WARNING LABEL (LC0001 / LB1	1.000 EA
NP1256L	ALUM UL CSA CC	1.000 EA
34PA1002	PACKING GROUP, BALDOR	1.000 EA

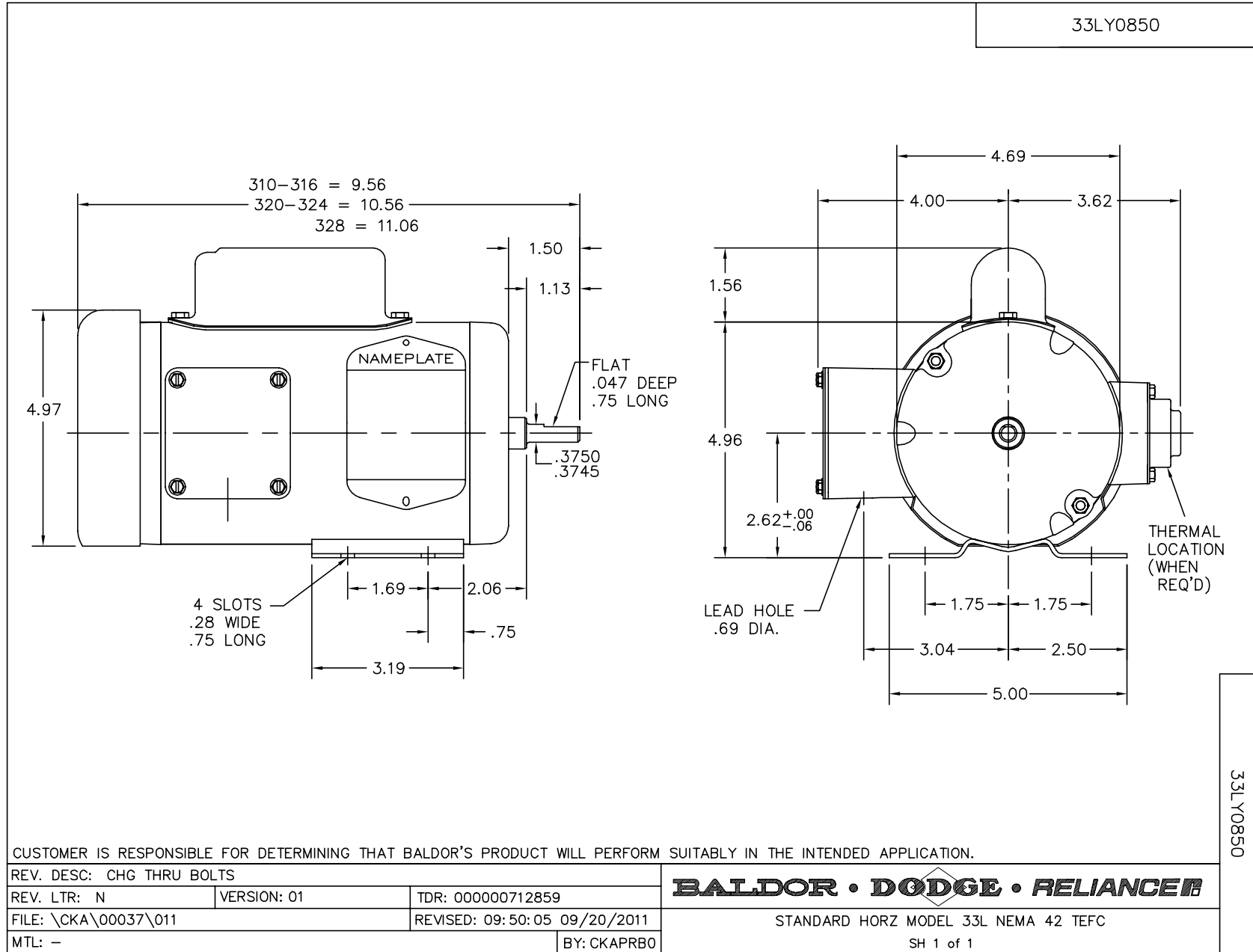
**Performance Data at 230V, 60Hz, 0.13HP (Typical performance - Not guaranteed values)**

General Characteristics			
Full Load Torque:	0.2 LB-FT	Start Configuration:	DOL
No-Load Current:	1.05 Amps	Break-Down Torque:	0.55 LB-FT
Line-line Res. @ 25°C.:	16.2 Ohms A Ph / 12.2 Ohms B Ph	Pull-Up Torque:	0.47 LB-FT
Temp. Rise @ Rated Load:	37 C	Locked-Rotor Torque:	0.89 LB-FT
Temp. Rise @ S.F. Load:	44 C	Starting Current:	5.65 Amps

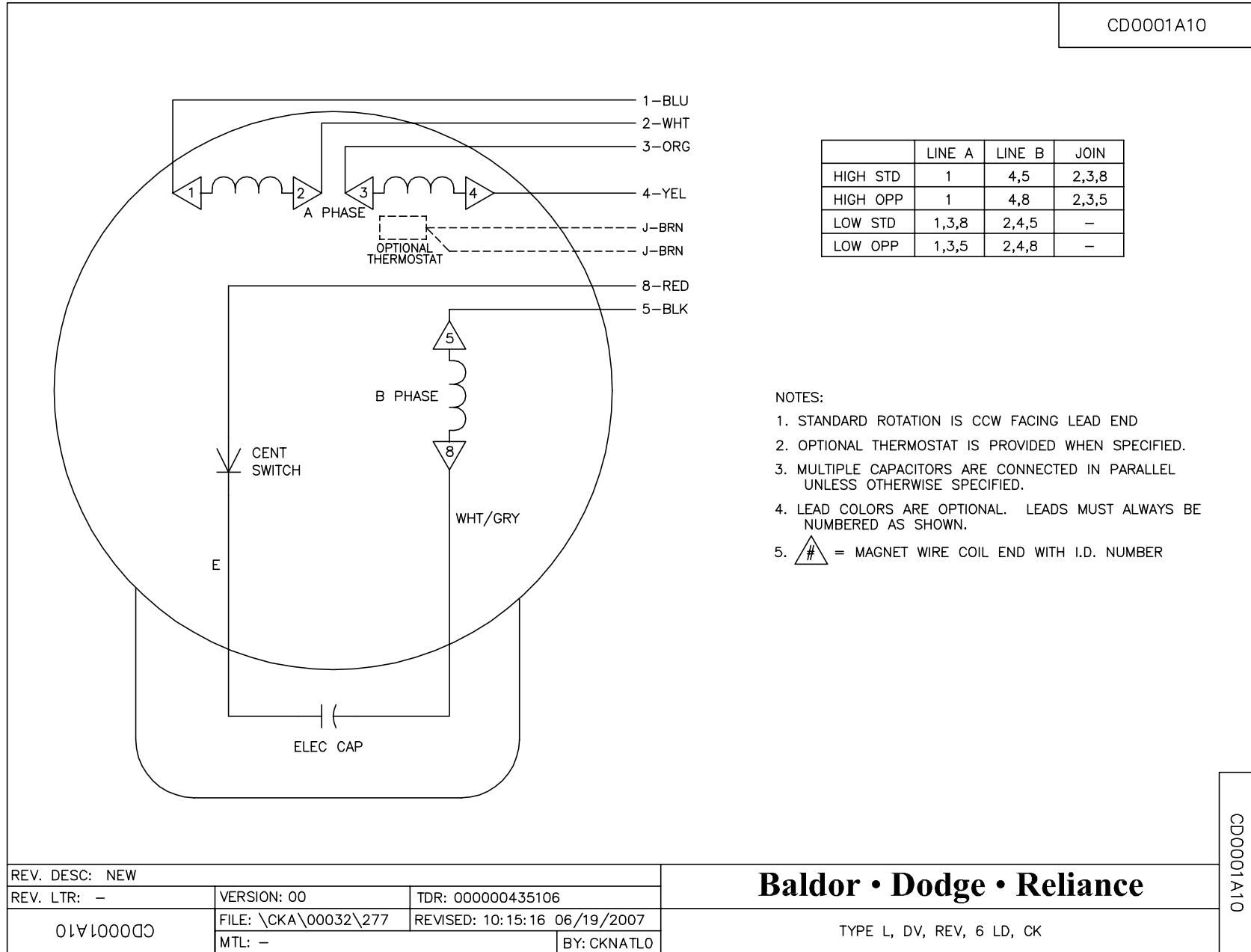
Load Characteristics							
% of Rated Load	25	50	75	100	125	150	S.F.
Power Factor:	44.0	53.0	59.0	63.0	69.0	72.0	71.0
Efficiency:	21.8	35.4	43.7	47.4	50.8	52.2	51.6
Speed:	3522.0	3486.0	3446.0	3400.0	3347.0	3281.0	3315.0
Line Amperes:	1.1	1.15	1.2	1.25	1.35	1.45	1.4

Performance Graph at 230V, 60Hz, 0.13HP Typical performance - Not guaranteed values





CD0001A10



CD0001A10