

BALDOR® • RELIANCE

Product Information Packet

L3353

.13HP,1725RPM,1PH,60HZ,42,3313L,TEFC,F1

Copyright © All product information within this document is subject to Baldor Electric Company copyright © protection, unless otherwise noted.

Part Detail							
Revision:	AC	Status:	PRD/A	Change #:		Proprietary:	No
Type:	AC	Prod. Type:	3313L	Elec. Spec:	33WG0934	CD Diagram:	
Enclosure:	TEFC	Mfg Plant:		Mech. Spec:		Layout:	
Frame:	42	Mounting:	F1	Poles:	04	Created Date:	06-25-2007
Base:		Rotation:	R	Insulation:	B	Eff. Date:	10-26-2012
Leads:	6#18	Literature:		Elec. Diagram:		Replaced By:	

Nameplate NP1256L									
CAT.NO.	L3353								
SPEC.	33-850-934								
HP	.13								
VOLTS	115/230								
AMP	3.1/1.55								
RPM	1725								
FRAME	42	HZ	60	PH	1				
SER.F.	1.40	CODE	M	DES	-	CLASS	B		
NEMA-NOM-EFF	47	PF	55						
RATING	40C AMB-CONT								
CC				USABLE AT 208V	1.9				
DE	6203	ODE							
ENCL	TEFC	SN							
	SFA 3.6/1.8								

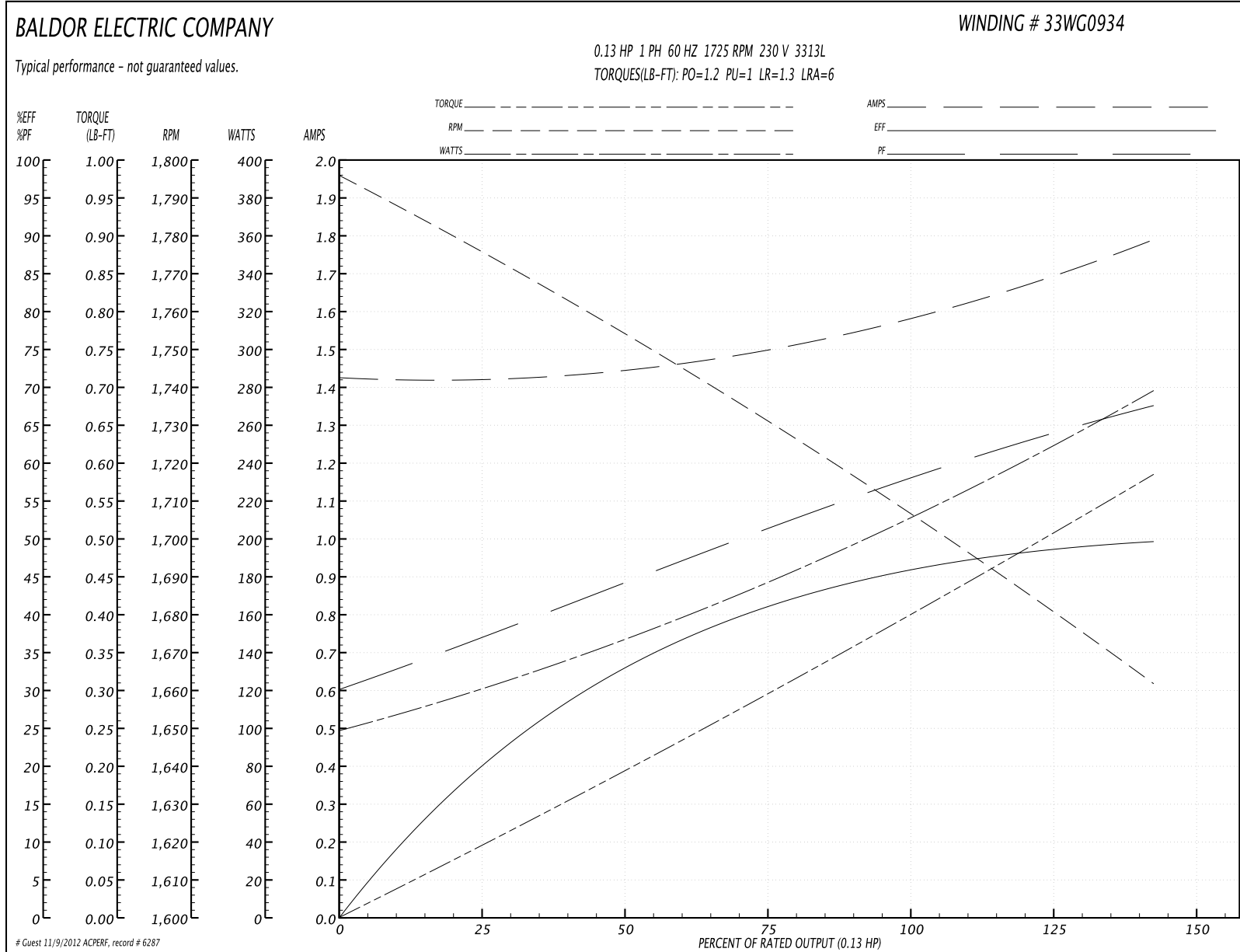
Parts List		
Part Number	Description	Quantity
SA007363	SA 33-850-934	1.000 EA
RA003810	RA 33-850-934	1.000 EA
EC1088A02	ELEC CAP, 88-106 MFD, 125V, 1.48D X 3.	1.000 EA
LC0001	CONN LABEL TYPE L, 6 LEAD, DUAL VOLTS, R	1.000 EA
51XB1016A04	10-16 X 1/4 HX WA SL SR TYB (F/S)	2.000 EA
33EP3100A01SP	EP,33AC ODE GP 6203 TEFC W/DRAIN	1.000 EA
HW5100A03SP	WAVY WASHER (W1543-017)	1.000 EA
33EP3100A02	PU ENDPLATE, MACH	1.000 EA
34CB3002C	CB CAST W/.69 DIA HOLE	1.000 EA
34GS1029A01	GASKET, CONDUIT BOX	1.000 EA
51XB1016A07	10-16 X 7/16 HXWSSLD SERTYB	2.000 EA
11XW1032G06	10-32 X .38, TAPTITE II, HEX WSHR SLTD U	1.000 EA
34CB4517	CB LID 4 MTG HOLES .22 DIA STAMPED, FOR	1.000 EA
34GS1031A01	GASKET, FLAT CONDUIT BOX LID (LEXIDE)	1.000 EA
XY1032A02	10-32 HEX NUT DIRECTIONAL SERRATION	2.000 EA
33FN3000SP	EXTERNAL FAN, PLASTIC	1.000 EA
HW1003A08	WASHER, #8 EX TH LK, ZN (F/S)	1.000 EA
33FH4001A01	FAN COVER, STAMPED	1.000 EA
51XB1016A06	10-16X3/8 HXWSSLD SERTYB	3.000 EA
MG1000G27	PAINT- S9282E CHARCOAL GREY	0.013 GA
51XW0832A07	8-32 X .44, TAPTITE II, HEX WSHR SLTD SE	4.000 EA
34CB4800SP	CAPACITOR COVER, STAMPED	1.000 EA
34GS3000SP	GASKET, CAPACITOR BOX	1.000 EA
SP5073SP	MODEL 33 SINGLE PHASE STATIONARY SWITCH	1.000 EA

Parts List (continued)		
Part Number	Description	Quantity
51XW0832A07	8-32 X .44, TAPTITE II, HEX WSHR SLTD SE	2.000 EA
LD2004A01	ASM,1LD 18 BLK E 4.5" INS & NON-INS FLAG	1.000 EA
LD2004A13	ASM,1LD 18 RED 8 11.0" INS FLAG TERM	1.000 EA
HA3100A79	THRUBOLT 10-32 X 6.625	2.000 EA
12XN0832A16	8-32 X 1.00" SLT HEX HD ZINC PLATED	1.000 EA
XY0832A02	8-32 HEX NUT	1.000 EA
LB1171	LABEL CARTON 6X6 ON LINE BLANK ROLLS	1.000 EA
NP1256L	ALUM UL CSA CC	1.000 EA
LB1119	WARNING LABEL	1.000 EA
85XU0407S04	4X1/4 U DRIVE PIN STAINLESS	2.000 EA
34PA1002	PACKING GROUP, BALDOR	1.000 EA

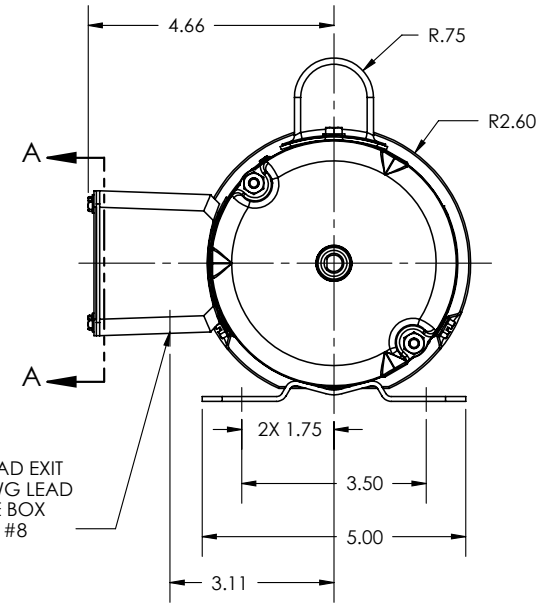
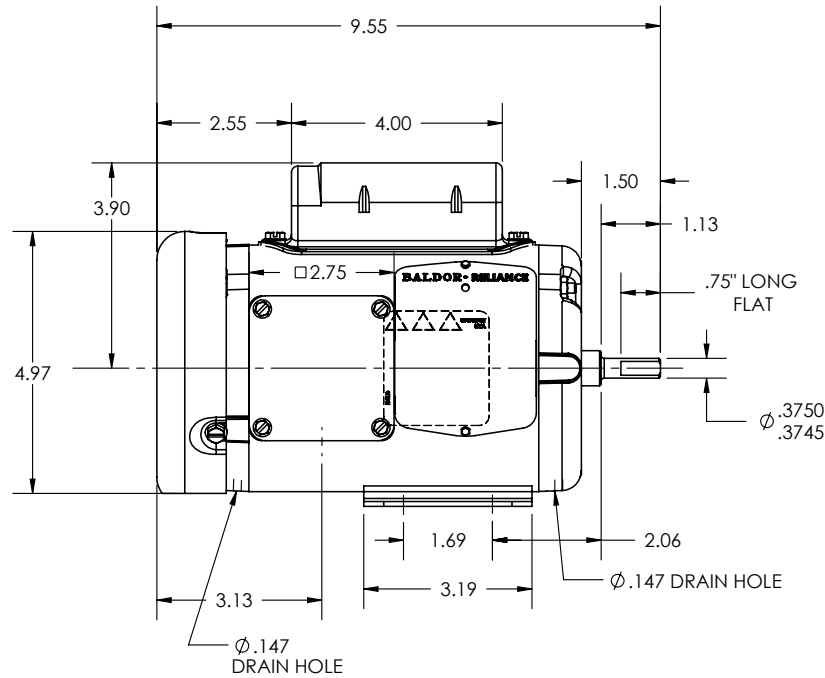
Performance Data at 230V, 60Hz, 0.13HP (Typical performance - Not guaranteed values)

General Characteristics							
Full Load Torque:	0.39 LB-FT			Start Configuration:	DOL		
No-Load Current:	1.42 Amps			Break-Down Torque:	1.2 LB-FT		
Line-line Res. @ 25°C.:	19.1 Ohms A Ph / 12.5 Ohms B Ph			Pull-Up Torque:	1.0 LB-FT		
Temp. Rise @ Rated Load:	64 C			Locked-Rotor Torque:	1.3 LB-FT		
Temp. Rise @ S.F. Load:	74 C			Starting Current:	6.0 Amps		
Load Characteristics							
% of Rated Load	25	50	75	100	125	150	S.F.
Power Factor:	38.0	45.0	50.0	58.0	61.0	69.0	63.0
Efficiency:	19.4	32.1	41.9	45.9	48.6	49.1	50.2
Speed:	1770.0	1754.0	1733.0	1715.0	1680.0	1663.0	1659.0
Line Amperes:	1.43	1.45	1.49	1.55	1.7	1.78	1.79

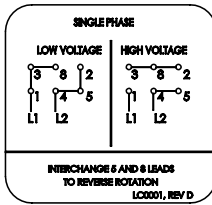
Performance Graph at 230V, 60Hz, 0.13HP Typical performance - Not guaranteed values



33-850-934



Ø .69 LEAD EXIT
6X 18AWG LEAD
4\"/>



SECTION A-A

CUSTOMER IS RESPONSIBLE FOR DETERMINING THAT BALDOR'S PRODUCT WILL PERFORM SUITABLY IN THE INTENDED APPLICATION

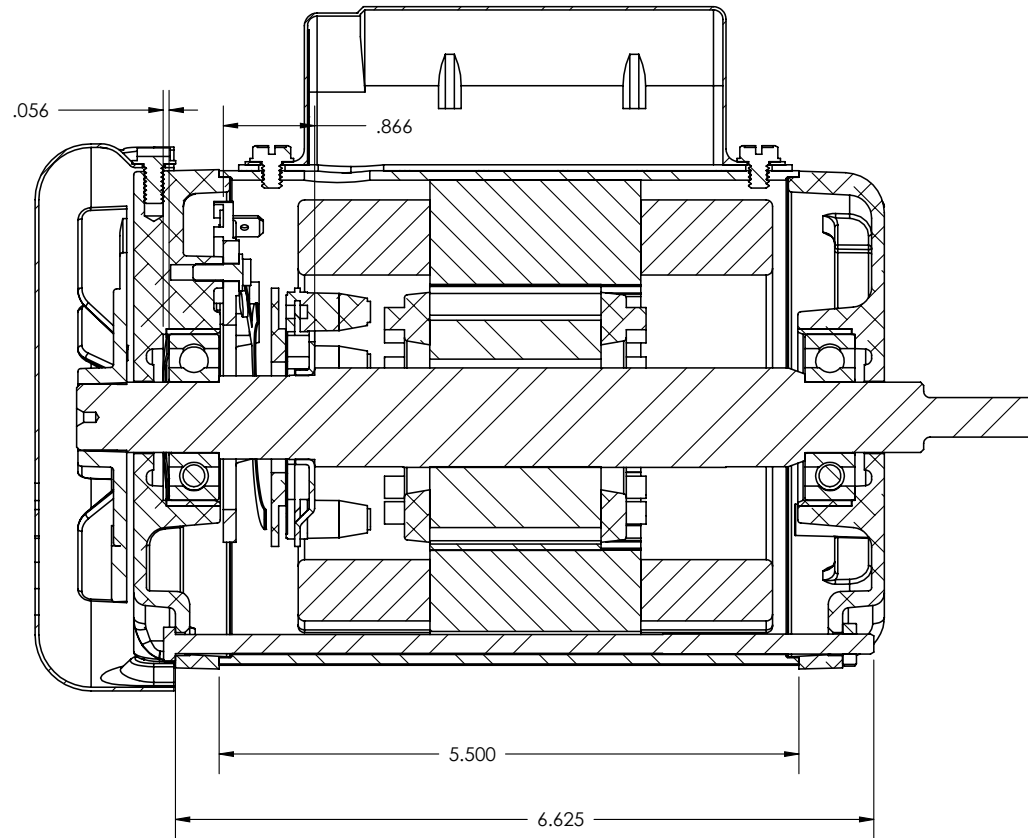
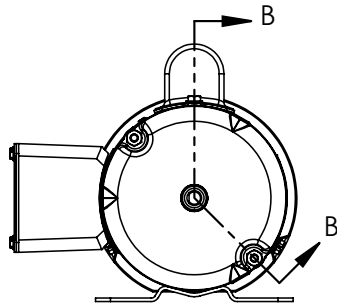
REV. DESC: CHG THRU BOLTS			
REV: A	VERSION: 01	REVISED: 09:44:52 09/19/2011	TDR: 000000712859
33-850-934	MODEL NO. 33-850	REF:	
	BY: CKAPRB0		

BALDOR

LY_33AC 13L 4P TEFC VER 42

33-850-934

33-850-934



SECTION B-B

33-850-934

REV. DESC: CHG THRU BOLTS

REV: A VERSION: 01 REVISED: 09:44:52 09/19/2011 TDR: 000000712859

33-850-934

MODEL NO. 33-850
BY: CKAPRB0

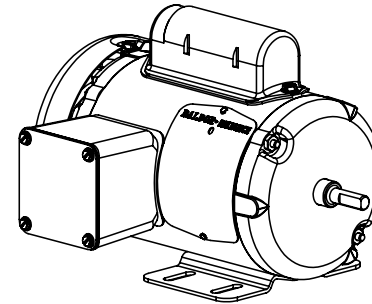
REF:

BALDOR ELECTRIC Co.

LY,33AC 13L 4P TEFC VER 42

ITEM NO.	PART NUMBER	33-850-934/QTY.
1	33EP3100A02	1
2	33SH7158A01	1
3	SKF - 6203 - 10,DE,NC,10_68	2
4	33RA4113A00A01	1
5	RS9005	1
6	33SA9210A32	1
7	33EP3100A01	1
8	HW5100A03	1
9	SP5073	1
10	51XB1016A07	2
11	51XB1016A04	2
12	NS2512A01	1
13	34GS1029	1
14	34CB3002A64	1
15	11XW1032G06	1
16	34GS1031A01	1
17	34CB4517	1
18	34GS3000	1
19	34CB4800	1
20	NS2500A01	1
21	33FN3000	1
22	12XN0832A16	1
23	XY1032A02	3
24	HW1003A08	1
25	33FH4001A01	1
26	LB1119	1
27	51XT0832A07	6
28	HA3100A79	2
29	99XM0440S01	2
30	51XB1016A06	3
31	NP1256	1
32	33f flex horizontal	1

33-850-934



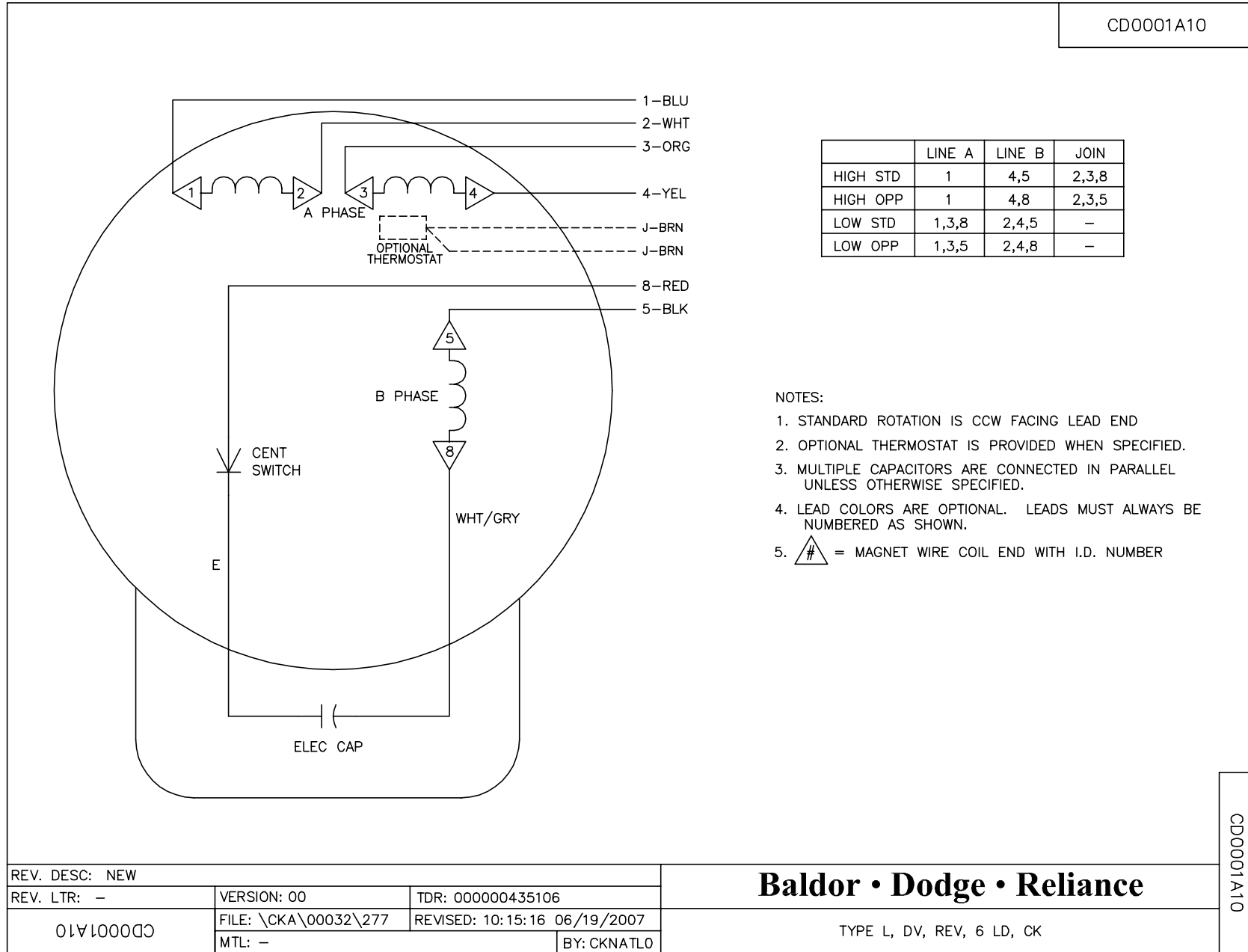
33-850-934

REV. DESC: CHG THRU BOLTS			
REV: A	VERSION: 01	REVISED: 09:44:52 09/19/2011	TDR: 000000712859
33-850-934		MODEL NO. 33-850	REF:
		BY: CKAPRB0	

BALDOR ELECTRIC Co.

LY_33AC 13L 4P TEFC VER 42

CD0001A10



	LINE A	LINE B	JOIN
HIGH STD	1	4,5	2,3,8
HIGH OPP	1	4,8	2,3,5
LOW STD	1,3,8	2,4,5	-
LOW OPP	1,3,5	2,4,8	-

NOTES:

1. STANDARD ROTATION IS CCW FACING LEAD END
2. OPTIONAL THERMOSTAT IS PROVIDED WHEN SPECIFIED.
3. MULTIPLE CAPACITORS ARE CONNECTED IN PARALLEL UNLESS OTHERWISE SPECIFIED.
4. LEAD COLORS ARE OPTIONAL. LEADS MUST ALWAYS BE NUMBERED AS SHOWN.
5. = MAGNET WIRE COIL END WITH I.D. NUMBER

REV. DESC: NEW		
REV. LTR: -	VERSION: 00	TDR: 000000435106
01V100000	FILE: \CKA\00032\277	REVISED: 10:15:16 06/19/2007
	MTL: -	BY: CKNTLO

Baldor • Dodge • Reliance

TYPE L, DV, REV, 6 LD, CK

CD0001A10