

BALDOR® • *RELIANCE*

Product Information Packet

L3356

.25HP,3450RPM,1PH,60HZ,42,3316L,TEFC,F1

Copyright © All product information within this document is subject to Baldor Electric Company copyright © protection, unless otherwise noted.

| Part Detail | | | | | | | |
|-------------|------|-------------|-------|----------------|----------|---------------|------------|
| Revision: | AA | Status: | PRD/A | Change #: | | Proprietary: | No |
| Type: | AC | Prod. Type: | 3316L | Elec. Spec: | 33WG0389 | CD Diagram: | |
| Enclosure: | TEFC | Mfg Plant: | | Mech. Spec: | | Layout: | |
| Frame: | 42 | Mounting: | F1 | Poles: | 02 | Created Date: | 06-25-2007 |
| Base: | | Rotation: | R | Insulation: | B | Eff. Date: | 10-26-2012 |
| Leads: | 6#18 | Literature: | | Elec. Diagram: | | Replaced By: | |

Nameplate NP1256L

| | | | | | | | |
|--------------|----------------|------|----|-----|---|-------|---|
| CAT.NO. | L3356 | | | | | | |
| SPEC. | 33-850-389 | | | | | | |
| HP | .25 | | | | | | |
| VOLTS | 115/230 | | | | | | |
| AMP | 4/2 | | | | | | |
| RPM | 3450 | | | | | | |
| FRAME | 42 | HZ | 60 | PH | 1 | | |
| SER.F. | 1.35 | CODE | L | DES | - | CLASS | B |
| NEMA-NOM-EFF | 57 | PF | 64 | | | | |
| RATING | 40C AMB-CONT | | | | | | |
| CC | USABLE AT 208V | | | 2.4 | | | |
| DE | 6203 | ODE | | | | | |
| ENCL | TEFC | SN | | | | | |
| | SFA 4.6/2.3 | | | | | | |

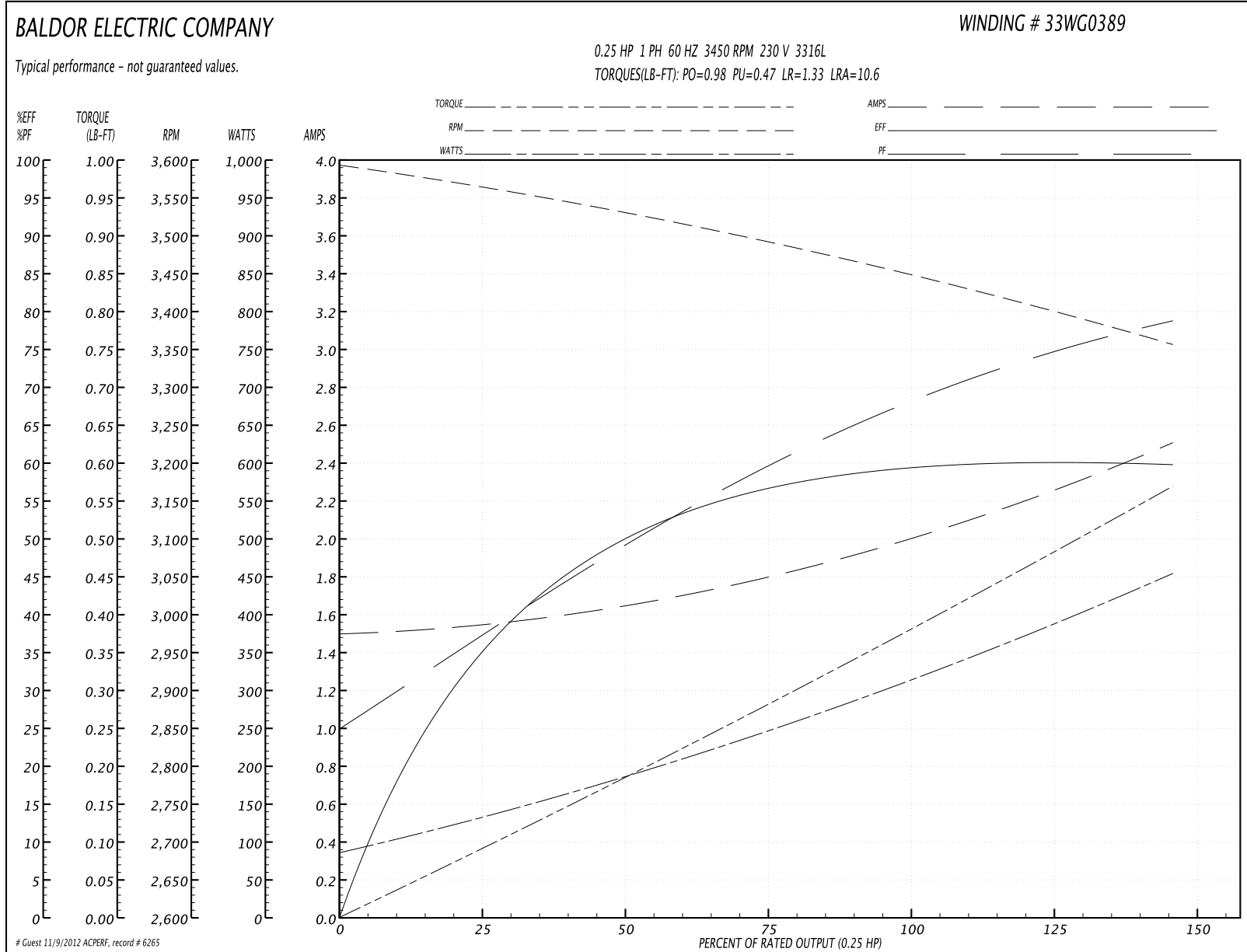
| Parts List | | |
|---------------|--|----------|
| Part Number | Description | Quantity |
| SA007357 | SA 33-850-389 | 1.000 EA |
| RA003804 | RA 33-850-389 | 1.000 EA |
| EC1189A02SP | 61B2D120189NNBA ELEC CAP, 189-227MFD, 12 | 1.000 EA |
| LC0001 | CONN LABEL TYPE L, 6 LEAD, DUAL VOLTS, R | 1.000 EA |
| LD2004A01 | ASM,1LD 18 BLK E 4.5" INS & NON-INS FLAG | 1.000 EA |
| LD2004A13 | ASM,1LD 18 RED 8 11.0" INS FLAG TERM | 1.000 EA |
| HA3100A79 | THRUBOLT 10-32 X 6.625 | 2.000 EA |
| 51XB1016A04 | 10-16 X 1/4 HX WA SL SR TYB (F/S) | 2.000 EA |
| 33EP3100A01SP | EP,33AC ODE GP 6203 TEFC W/DRAIN | 1.000 EA |
| HW5109A05 | WASHER, WAVE SPRING FOR 40MM BORE SMALLE | 1.000 EA |
| SP5073SP | MODEL 33 SINGLE PHASE STATIONARY SWITCH | 1.000 EA |
| 51XW0832A07 | 8-32 X .44, TAPTITE II, HEX WSHR SLTD SE | 2.000 EA |
| 34CB4800SP | CAPACITOR COVER, STAMPED | 1.000 EA |
| 34GS3000SP | GASKET, CAPACITOR BOX | 1.000 EA |
| 33EP3100A02 | PU ENDPLATE, MACH | 1.000 EA |
| 34CB3002C | CB CAST W/.69 DIA HOLE | 1.000 EA |
| 34GS1029A01 | GASKET, CONDUIT BOX | 1.000 EA |
| 51XB1016A07 | 10-16 X 7/16 HXWSSLD SERTYB | 2.000 EA |
| 11XW1032G06 | 10-32 X .38, TAPTITE II, HEX WSHR SLTD U | 1.000 EA |
| 34CB4517 | CB LID 4 MTG HOLES .22 DIA STAMPED, FOR | 1.000 EA |
| 34GS1031A01 | GASKET, FLAT CONDUIT BOX LID (LEXIDE) | 1.000 EA |
| XY1032A02 | 10-32 HEX NUT DIRECTIONAL SERRATION | 2.000 EA |
| 33FN3000SP | EXTERNAL FAN, PLASTIC | 1.000 EA |
| 12XN0832A16 | 8-32 X 1.00" SLT HEX HD ZINC PLATED | 1.000 EA |

| Parts List (continued) | | |
|------------------------|--|----------|
| Part Number | Description | Quantity |
| HW1003A08 | WASHER, #8 EX TH LK, ZN (F/S) | 1.000 EA |
| XY0832A02 | 8-32 HEX NUT | 1.000 EA |
| 33FH4001A01 | FAN COVER, STAMPED | 1.000 EA |
| 51XB1016A06 | 10-16X3/8 HXWSSLD SERTYB | 3.000 EA |
| MG1000G27 | PAINT- S9282E CHARCOAL GREY | 0.013 GA |
| 51XW0832A07 | 8-32 X .44, TAPTITE II, HEX WSHR SLTD SE | 4.000 EA |
| LB1171 | LABEL CARTON 6X6 ON LINE BLANK ROLLS | 1.000 EA |
| NP1256L | ALUM UL CSA CC | 1.000 EA |
| LB1119 | WARNING LABEL | 1.000 EA |
| 85XU0407S04 | 4X1/4 U DRIVE PIN STAINLESS | 2.000 EA |
| 34PA1002 | PACKING GROUP, BALDOR | 1.000 EA |

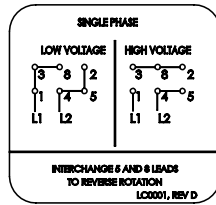
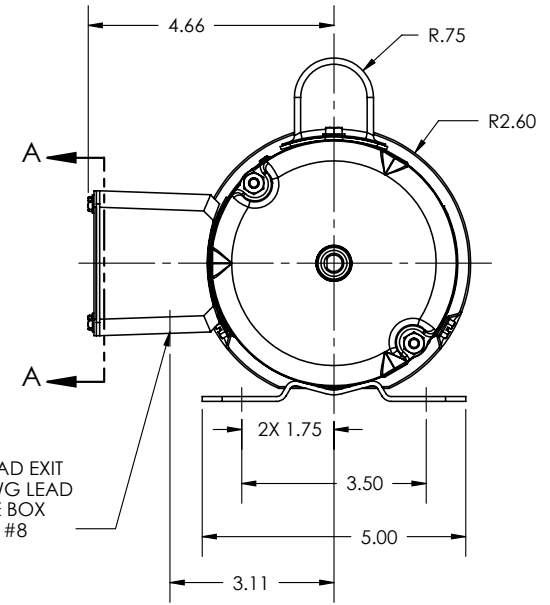
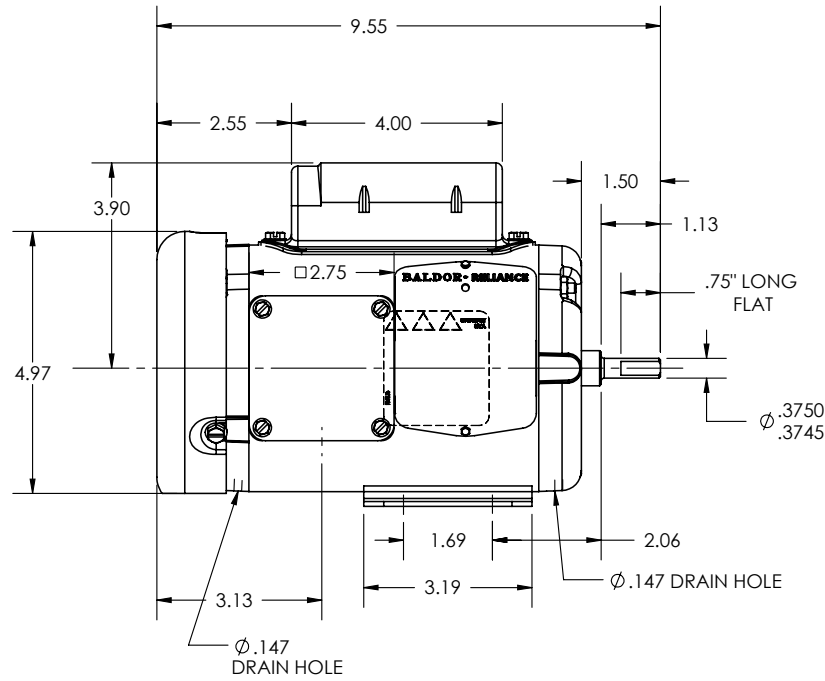
Performance Data at 230V, 60Hz, 0.25HP (Typical performance - Not guaranteed values)

| General Characteristics | | | | | | | |
|--------------------------|--------------------------------|--------|--------|----------------------|------------|--------|--------|
| Full Load Torque: | 0.38 LB-FT | | | Start Configuration: | DOL | | |
| No-Load Current: | 1.5 Amps | | | Break-Down Torque: | 0.98 LB-FT | | |
| Line-line Res. @ 25°C.: | 7.72 Ohms A Ph / 5.3 Ohms B Ph | | | Pull-Up Torque: | 0.47 LB-FT | | |
| Temp. Rise @ Rated Load: | 42 C | | | Locked-Rotor Torque: | 1.33 LB-FT | | |
| Temp. Rise @ S.F. Load: | 57 C | | | Starting Current: | 10.6 Amps | | |
| Load Characteristics | | | | | | | |
| % of Rated Load | 25 | 50 | 75 | 100 | 125 | 150 | S.F. |
| Power Factor: | 42.0 | 52.0 | 61.0 | 68.0 | 73.0 | 77.0 | 75.0 |
| Efficiency: | 38.7 | 49.2 | 55.9 | 59.9 | 60.2 | 59.8 | 60.0 |
| Speed: | 3555.0 | 3528.0 | 3496.0 | 3452.0 | 3400.0 | 3357.0 | 3383.0 |
| Line Amperes: | 1.55 | 1.65 | 1.8 | 2.0 | 2.25 | 2.5 | 2.3 |

Performance Graph at 230V, 60Hz, 0.25HP Typical performance - Not guaranteed values



33-850-389



SECTION A-A

CUSTOMER IS RESPONSIBLE FOR DETERMINING THAT BALDOR'S PRODUCT WILL PERFORM SUITABLY IN THE INTENDED APPLICATION

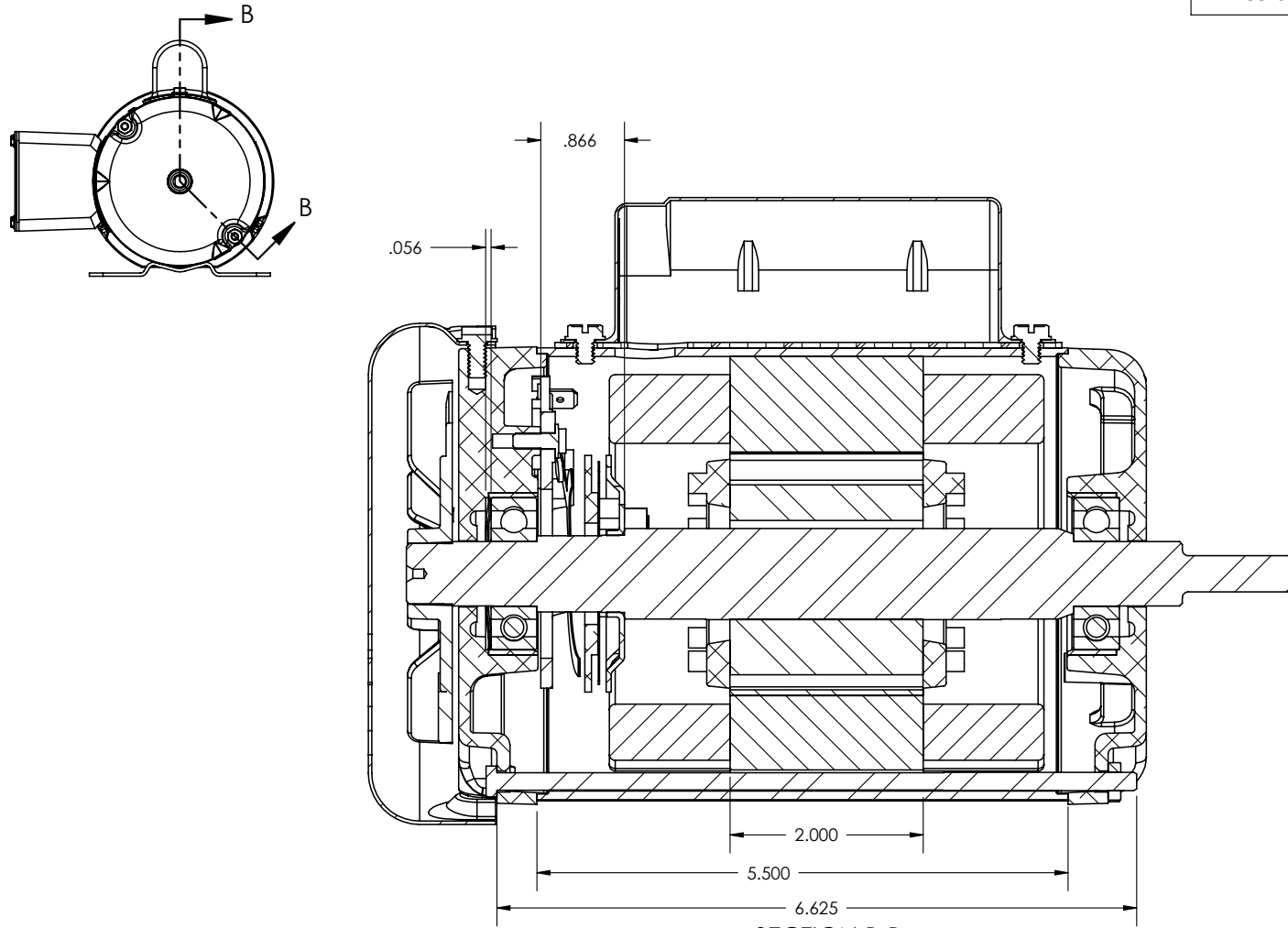
| | | | |
|---|------------------|------------------------------|-------------------|
| REV. DESC: CHG STATOR BAND AND THRU BOLTS | | | |
| REV: B | VERSION: 02 | REVISED: 10:43:26 09/19/2011 | TDR: 000000712859 |
| 68E-058-EE | MODEL NO. 33-850 | REF: | |
| | BY: CKAPRB0 | | |

BALDOR

LY_33AC 16L 2P TEFC VER 42

33-850-389

33-850-389



SECTION B-B

CUSTOMER IS RESPONSIBLE FOR DETERMINING THAT BALDOR'S PRODUCT WILL PERFORM SUITABLY IN THE INTENDED APPLICATION

| | | | |
|---|-------------|------------------------------|-------------------|
| REV. DESC: CHG STATOR BAND AND THRU BOLTS | | | |
| REV: B | VERSION: 02 | REVISED: 10:43:26 09/19/2011 | TDR: 000000712859 |
| 68E-058-EE | | MODEL NO. 33-850 | REF: |
| | | BY: CKAPRB0 | |

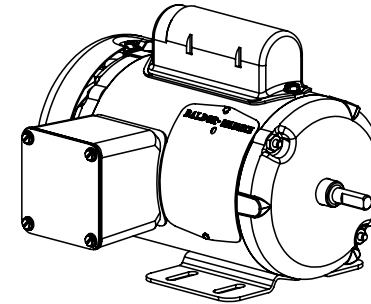
BALDOR

LY,33AC 16L 2P TEFC VER 42

33-850-389

| BOM Table | | |
|-----------|-----------------------------|-----------------|
| ITEM NO. | PART NUMBER | 33-850-389/QTY. |
| 1 | 33SH7158A01 | 1 |
| 2 | SKF - 6203 - 10,DE,NC,10_68 | 2 |
| 3 | 33RA2016A00A01 | 1 |
| 4 | RS9005A01 | 1 |
| 5 | 33EP3100A02 | 1 |
| 6 | 33SA9210A32 | 1 |
| 7 | 33EP3100A01 | 1 |
| 8 | HW5100A03 | 1 |
| 9 | SP5073 | 1 |
| 10 | 51XB1016A07 | 2 |
| 11 | 51XB1016A04 | 2 |
| 12 | 34GS1029 | 1 |
| 13 | 11XW1032G06 | 1 |
| 14 | 34GS1031A01 | 1 |
| 15 | 34CB4517 | 1 |
| 16 | 33FN3000 | 1 |
| 17 | 12XN0832A16 | 1 |
| 18 | XY1032A02 | 2 |
| 19 | HW1003A08 | 1 |
| 20 | XY0832A02 | 1 |
| 21 | 33FH4001A01 | 1 |
| 22 | 34GS3000 | 1 |
| 23 | 34CB4800 | 1 |
| 24 | LB1119 | 1 |
| 25 | NS2512A01 | 1 |
| 26 | NS2500A01 | 1 |
| 27 | 51XT0832A07 | 6 |
| 28 | HA3100A79 | 2 |
| 29 | 34CB3002A64 | 1 |
| 30 | 51XB1016A06 | 3 |
| 31 | NP1256 | 1 |
| 32 | 99XM0440S01 | 2 |
| 33 | 33f flex horizontal | 1 |

33-850-389



33-850-389

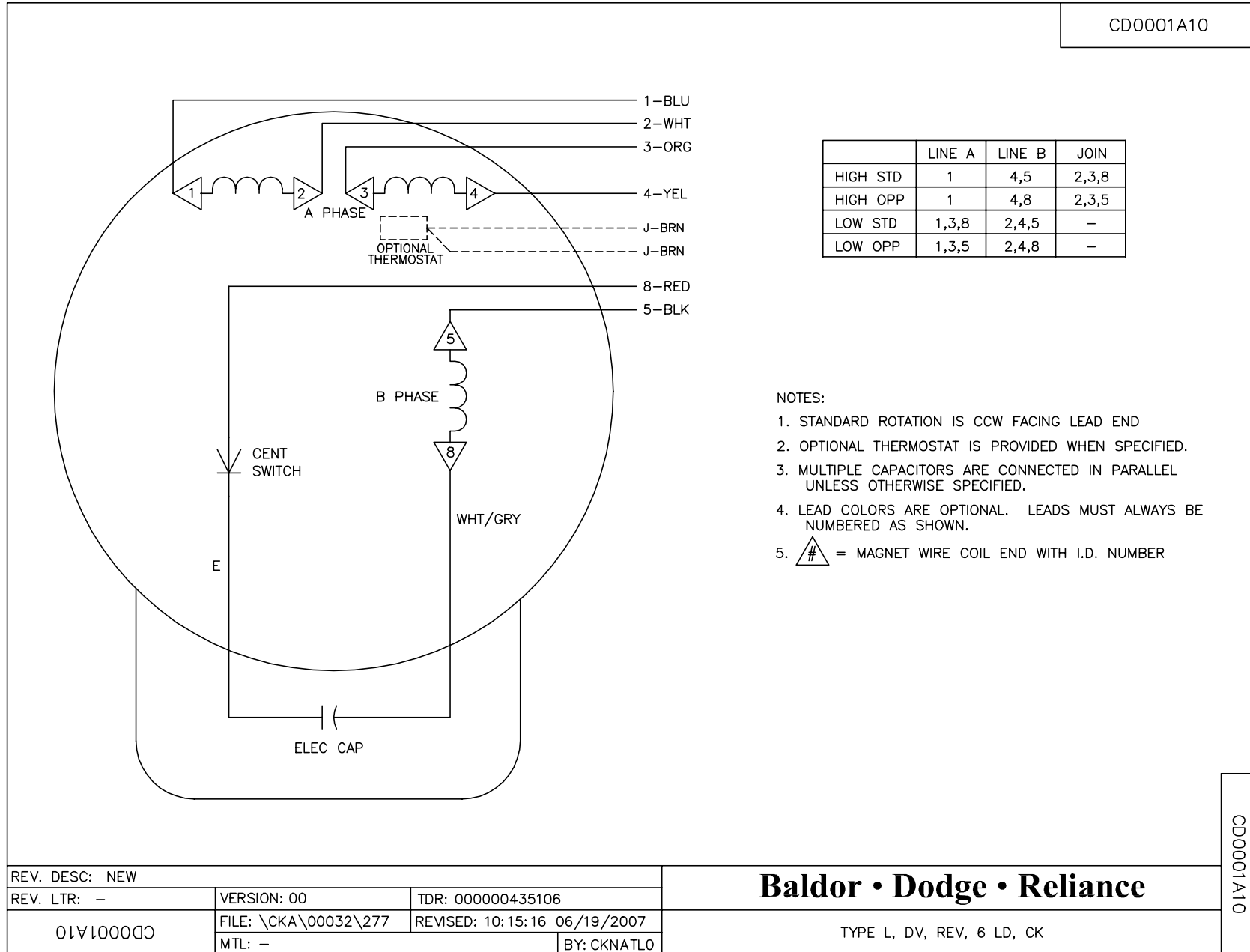
CUSTOMER IS RESPONSIBLE FOR DETERMINING THAT BALDOR'S PRODUCT WILL PERFORM SUITABLY IN THE INTENDED APPLICATION

| | | | |
|---|-------------|------------------------------|-------------------|
| REV. DESC: CHG STATOR BAND AND THRU BOLTS | | | |
| REV: B | VERSION: 02 | REVISED: 10:43:26 09/19/2011 | TDR: 000000712859 |
| 68E-058-EE | | MODEL NO. 33-850 | REF: |
| | | BY: CKAPRB0 | |

BALDOR

LY,33AC 16L 2P TEFC VER 42

CD0001A10



| | LINE A | LINE B | JOIN |
|----------|--------|--------|-------|
| HIGH STD | 1 | 4,5 | 2,3,8 |
| HIGH OPP | 1 | 4,8 | 2,3,5 |
| LOW STD | 1,3,8 | 2,4,5 | - |
| LOW OPP | 1,3,5 | 2,4,8 | - |

NOTES:

1. STANDARD ROTATION IS CCW FACING LEAD END
2. OPTIONAL THERMOSTAT IS PROVIDED WHEN SPECIFIED.
3. MULTIPLE CAPACITORS ARE CONNECTED IN PARALLEL UNLESS OTHERWISE SPECIFIED.
4. LEAD COLORS ARE OPTIONAL. LEADS MUST ALWAYS BE NUMBERED AS SHOWN.
5. = MAGNET WIRE COIL END WITH I.D. NUMBER

| | | |
|----------------|----------------------|------------------------------|
| REV. DESC: NEW | | |
| REV. LTR: - | VERSION: 00 | TDR: 000000435106 |
| 01V100000 | FILE: \CKA\00032\277 | REVISED: 10:15:16 06/19/2007 |
| | MTL: - | BY: CKNATLO |

Baldor • Dodge • Reliance

TYPE L, DV, REV, 6 LD, CK

CD0001A10