

BALDOR® • RELIANCE

Product Information Packet

L3408

.5HP,3450RPM,1PH,60HZ,48,3413L,TEFC,F1

Copyright © All product information within this document is subject to Baldor Electric Company copyright © protection, unless otherwise noted.

Part Detail							
Revision:	L	Status:	PRD/A	Change #:		Proprietary:	No
Type:	AC	Prod. Type:	3413L	Elec. Spec:	34WGX716	CD Diagram:	
Enclosure:	TEFC	Mfg Plant:		Mech. Spec:	34H640	Layout:	
Frame:	48	Mounting:	F1	Poles:	02	Created Date:	
Base:	RG	Rotation:	R	Insulation:	B	Eff. Date:	12-14-2011
Leads:	6#18	Literature:		Elec. Diagram:		Replaced By:	

Nameplate NP1256L									
CAT.NO.	L3408								
SPEC.	34H640X716								
HP	.5								
VOLTS	115/230								
AMP	7/3.5								
RPM	3450								
FRAME	48	HZ	60	PH	1				
SER.F.	1.25	CODE	L	DES	N	CLASS	B		
NEMA-NOM-EFF	66	PF	72						
RATING	40C AMB-CONT								
CC				USABLE AT 208V	4.1				
DE	6203	ODE	6203						
ENCL	TEFC	SN							
	SFA 8/4								

Parts List		
Part Number	Description	Quantity
SA047677	SA 34H640X716	1.000 EA
RA042927	RA 34H640X716	1.000 EA
EC1400A03SP	ELEC CAP, 400-480 MFD, 125V, 1.81D X 3.	1.000 EA
NS2512A01	INSULATOR, CONDUIT BOX X	1.000 EA
34CB3002A	CB CAST W/.88 DIA HOLE	1.000 EA
34GS1029A01	GASKET, CONDUIT BOX	1.000 EA
51XB1016A07	10-16 X 7/16 HXWSSLD SERTYB	2.000 EA
11XW1032G06	10-32 X .38, TAPTITE II, HEX WSHR SLTD U	1.000 EA
34EP3102A01SP	FR ENDPLATE, MACH	1.000 EA
51XW0832A07	8-32 X .44, TAPTITE II, HEX WSHR SLTD SE	2.000 EA
NS2501A01	INSULATOR, CAPACITOR	1.000 EA
51XB1016A05	10-16X5/16HX WA SL SR TYB (F/S)	2.000 EA
HW5100A03SP	WAVY WASHER (W1543-017)	1.000 EA
34EP3102A02SP	FR/PU ENDPLATE, MACH	1.000 EA
XY1032A02	10-32 HEX NUT DIRECTIONAL SERRATION	4.000 EA
34FN3002A01SP	EXTERNAL FAN, PLASTIC, .637/.639 HUB W/	1.000 EA
34FH4002A01	IEC FH NO GREASER	1.000 EA
51XW1032A06	10-32 X .38, TAPTITE II, HEX WSHR SLTD S	3.000 EA
34CB4517	CB LID 4 MTG HOLES .22 DIA STAMPED, FOR	1.000 EA
34GS1031A01	GASKET, FLAT CONDUIT BOX LID (LEXIDE)	1.000 EA
51XW0832A07	8-32 X .44, TAPTITE II, HEX WSHR SLTD SE	4.000 EA
MG1000G27	PAINT- S9282E CHARCOAL GREY	0.014 GA
10XF0440S02	04-40 X 1/8 TYPE F HEX HD STAINLESS STIC	2.000 EA
SP5056A24	MODEL 34 TYPE L STATIONARY SWITCH WITH L	1.000 EA

Parts List (continued)		
Part Number	Description	Quantity
33CB4800A01	CAPACITOR COVER, STAMPED	1.000 EA
35GS3001A01	GASKET, CAPACITOR COVER	1.000 EA
HA3100A12	THRUBOLT 10-32 X 7.375	4.000 EA
LB5040	INSTRUCTION TAG, AC & DC	1.000 EA
LB1125C01	STD (STOCK) CARTON LABEL BALDOR WITH FLA	1.000 EA
LC0001A01	CONN LABEL / WARNING LABEL (LC0001 / LB1	1.000 EA
NP1256L	ALUM UL CSA CC	1.000 EA
34PA1005	PACKING GROUP, BALDOR	1.000 EA

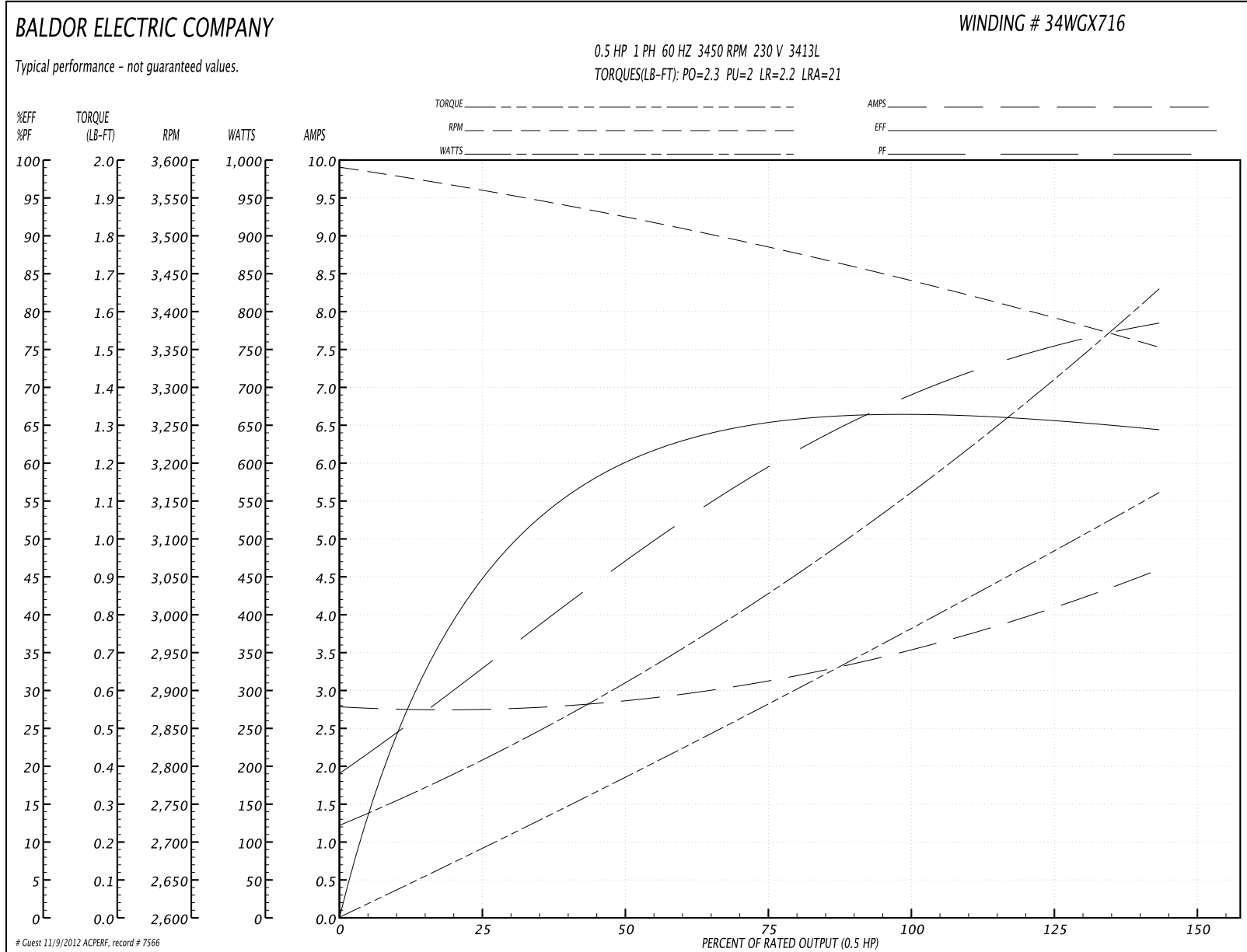
Accessories		
Part Number	Description	Multiplier
34-3900T	C-FACE KIT	A8

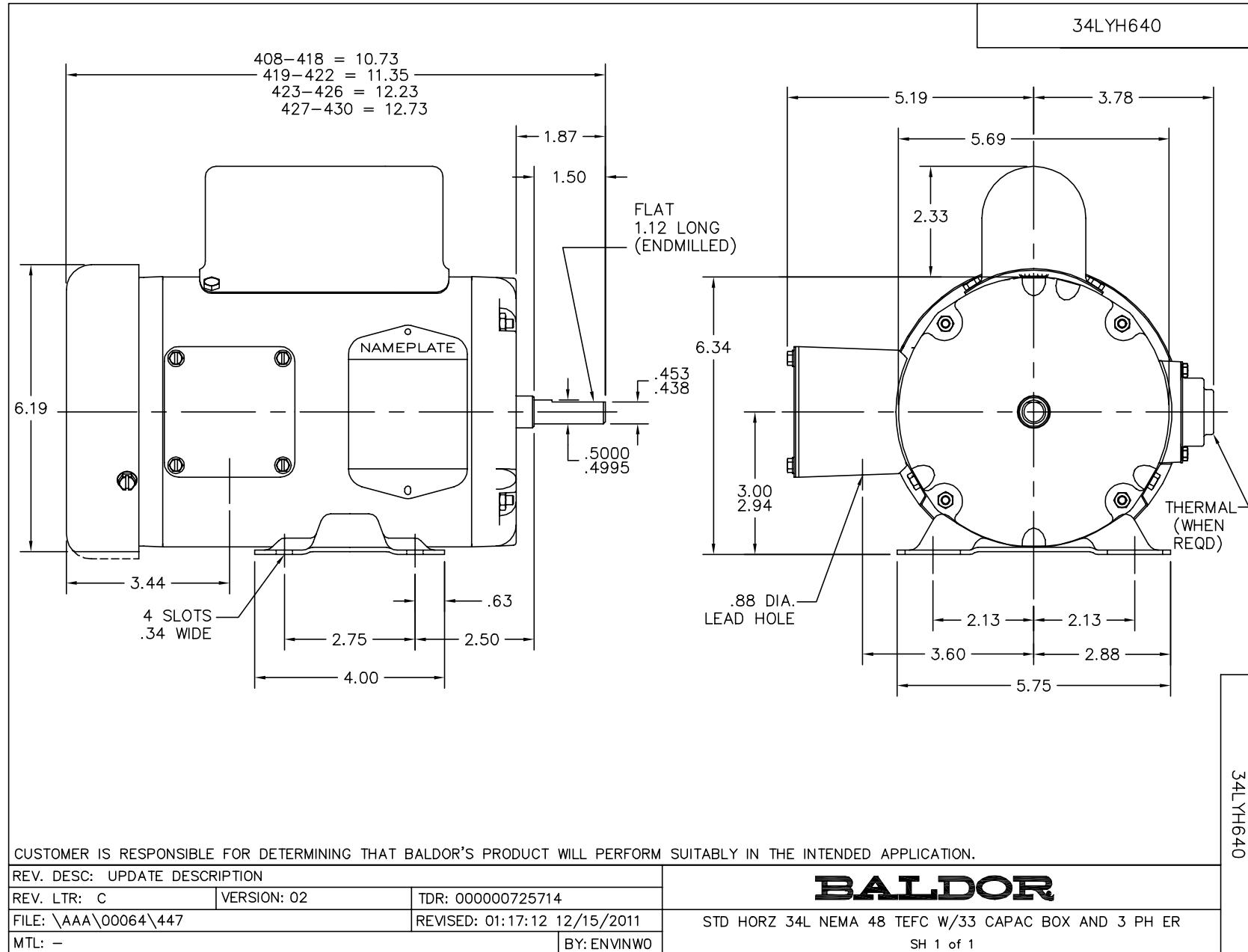
Performance Data at 230V, 60Hz, 0.5HP (Typical performance - Not guaranteed values)

General Characteristics			
Full Load Torque:	0.75 LB-FT	Start Configuration:	DOL
No-Load Current:	2.76 Amps	Break-Down Torque:	2.3 LB-FT
Line-line Res. @ 25°C.:	4.163 Ohms A Ph / 4.624 Ohms B Ph	Pull-Up Torque:	2.0 LB-FT
Temp. Rise @ Rated Load:	67 C	Locked-Rotor Torque:	2.2 LB-FT
Temp. Rise @ S.F. Load:	84 C	Starting Current:	21.0 Amps

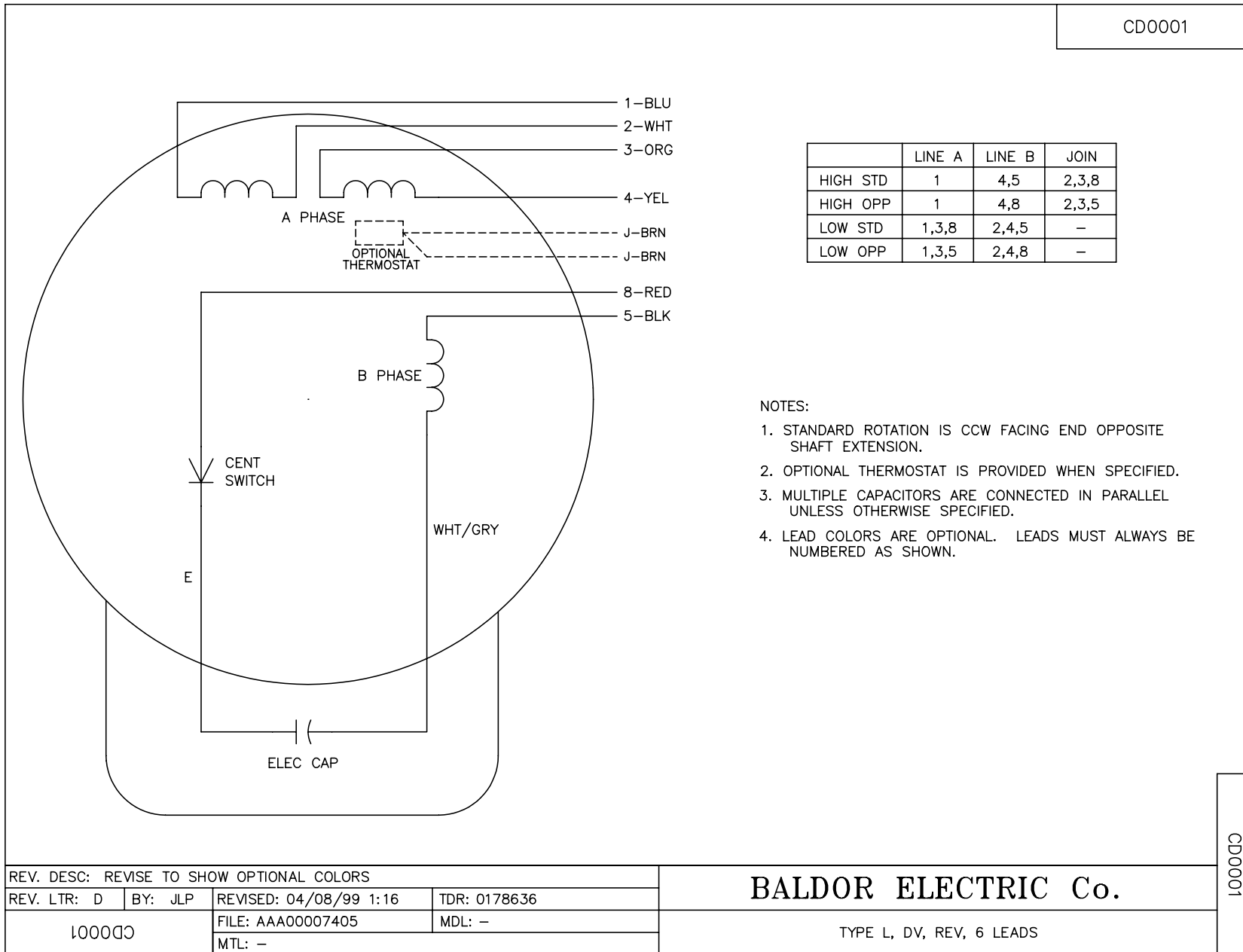
Load Characteristics							
% of Rated Load	25	50	75	100	125	150	S.F.
Power Factor:	29.0	48.0	60.0	69.0	76.0	78.0	76.0
Efficiency:	50.7	58.5	64.8	66.2	65.8	64.6	65.8
Speed:	3548.0	3520.0	3489.0	3449.0	3405.0	3346.0	3405.0
Line Amperes:	2.78	2.88	3.13	3.5	3.95	4.64	3.95

Performance Graph at 230V, 60Hz, 0.5HP Typical performance - Not guaranteed values





CD0001



CD0001

REV. DESC: REVISE TO SHOW OPTIONAL COLORS			
REV. LTR: D	BY: JLP	REVISED: 04/08/99 1:16	TDR: 0178636
100000		FILE: AAA00007405	MDL: -
		MTL: -	

BALDOR ELECTRIC Co.

TYPE L, DV, REV, 6 LEADS