

BALDOR® • RELIANCE

Product Information Packet

L3510TM

1HP,1725RPM,1PH,60HZ,143T,3524L,TEFC,F1

Copyright © All product information within this document is subject to Baldor Electric Company copyright © protection, unless otherwise noted.

Part Detail							
Revision:	D	Status:	PRD/A	Change #:		Proprietary:	No
Type:	AC	Prod. Type:	3524L	Elec. Spec:	35WGY191	CD Diagram:	
Enclosure:	TEFC	Mfg Plant:		Mech. Spec:	35KK190	Layout:	
Frame:	143T	Mounting:	F1	Poles:	04	Created Date:	12-22-2009
Base:	RG	Rotation:	R	Insulation:	B	Eff. Date:	05-16-2012
Leads:	4#16 A&J,2#18 B PH,1#	Literature:		Elec. Diagram:		Replaced By:	

Nameplate NP1257L									
CAT.NO.	L3510TM								
SPEC.	35KK190Y191								
HP	1								
VOLTS	115/230								
AMP	13/6.5								
RPM	1725								
FRAME	143T	HZ			60	PH	1		
SER.F.	1.15	CODE			K	DES	L	CL	B
NEMA-NOM-EFF	67	PF			73				
RATING	40C AMB-CONT								
CC	USABLE AT 208V			6.8					
DE	6205	ODE			6203				
ENCL	TEFC	SN							

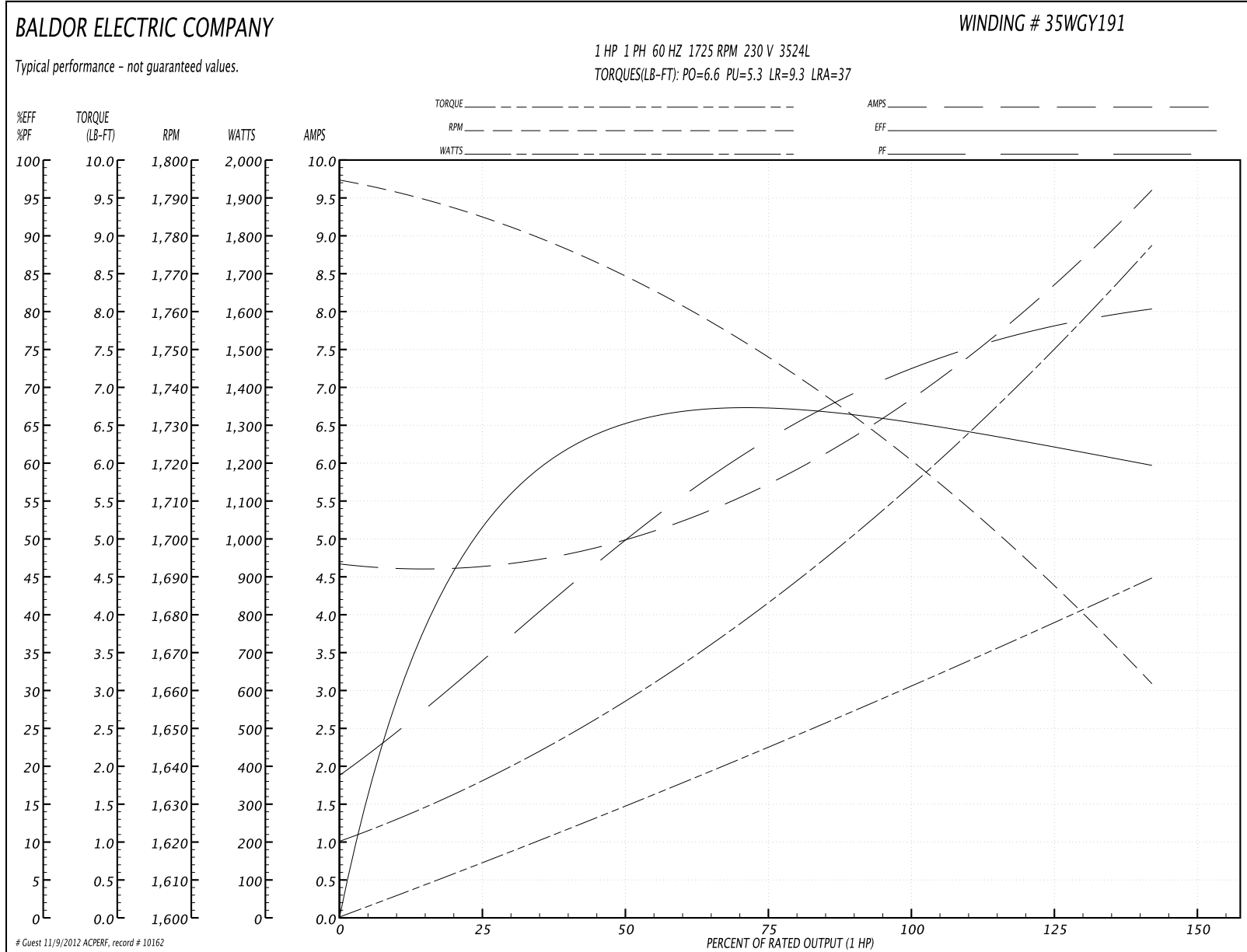
Parts List		
Part Number	Description	Quantity
SA189104	SA 35KK190Y191	1.000 EA
RA176823	RA 35KK190Y191	1.000 EA
EC1645A06SP	ELEC CAP, 645-774 MFD, 125V, 2.06D X 4.	1.000 EA
TP5059	GENERIC THERMAL KIT	1.000 EA
NS2512A01	INSULATOR, CONDUIT BOX X	1.000 EA
35CB3009	35 CB CASTING W/1.09 DIA. LEAD HOLE @ 6:	1.000 EA
36GS1000SP	GASKET-CONDUIT BOX, .06 THICK #SV-330 LE	1.000 EA
51XB1016A07	10-16 X 7/16 HXWSSLD SERTYB	2.000 EA
11XW1032G06	10-32 X .38, TAPTITE II, HEX WSHR SLTD U	1.000 EA
HW3001B01	003SS CUP WASHER, FOR #8 SCREW	1.000 EA
51XW0832A07	8-32 X .44, TAPTITE II, HEX WSHR SLTD SE	2.000 EA
35EP3100M01	FREP TEFC 203 BRG W/GRSR (RAISED FH PADS	1.000 EA
HW4500A01	1641B(ALEMITE)400 UNIV, GREASE FITT	1.000 EA
35CB4802A02SP	CAPACITOR COVER, STAMPED X W/AUTOPHORET	1.000 EA
35GS3001A02	GASKET, CA.COVER, 5.38 LONG .06 CS301	1.000 EA
NS2501A01	INSULATOR, CAPACITOR	1.000 EA
51XB1016A05	10-16X5/16HX WA SL SR TYB (F/S)	2.000 EA
HW5100A03SP	WAVY WASHER (W1543-017)	1.000 EA
35EP3101A01SP	STD PU EP-ENCLOSED-205 BRG-W/GREASER	1.000 EA
HW4500A01	1641B(ALEMITE)400 UNIV, GREASE FITT	1.000 EA
XY1032A02	10-32 HEX NUT DIRECTIONAL SERRATION	4.000 EA
51XB1214A16	12-14X1.00 HXWSSLD SERTYB	1.000 EA
35FH4005A84SP	IEC FH W/GRSR, NO DIMPLES W/AUTOPHERETIC	1.000 EA
51XW1032A06	10-32 X .38, TAPTITE II, HEX WSHR SLTD S	3.000 EA

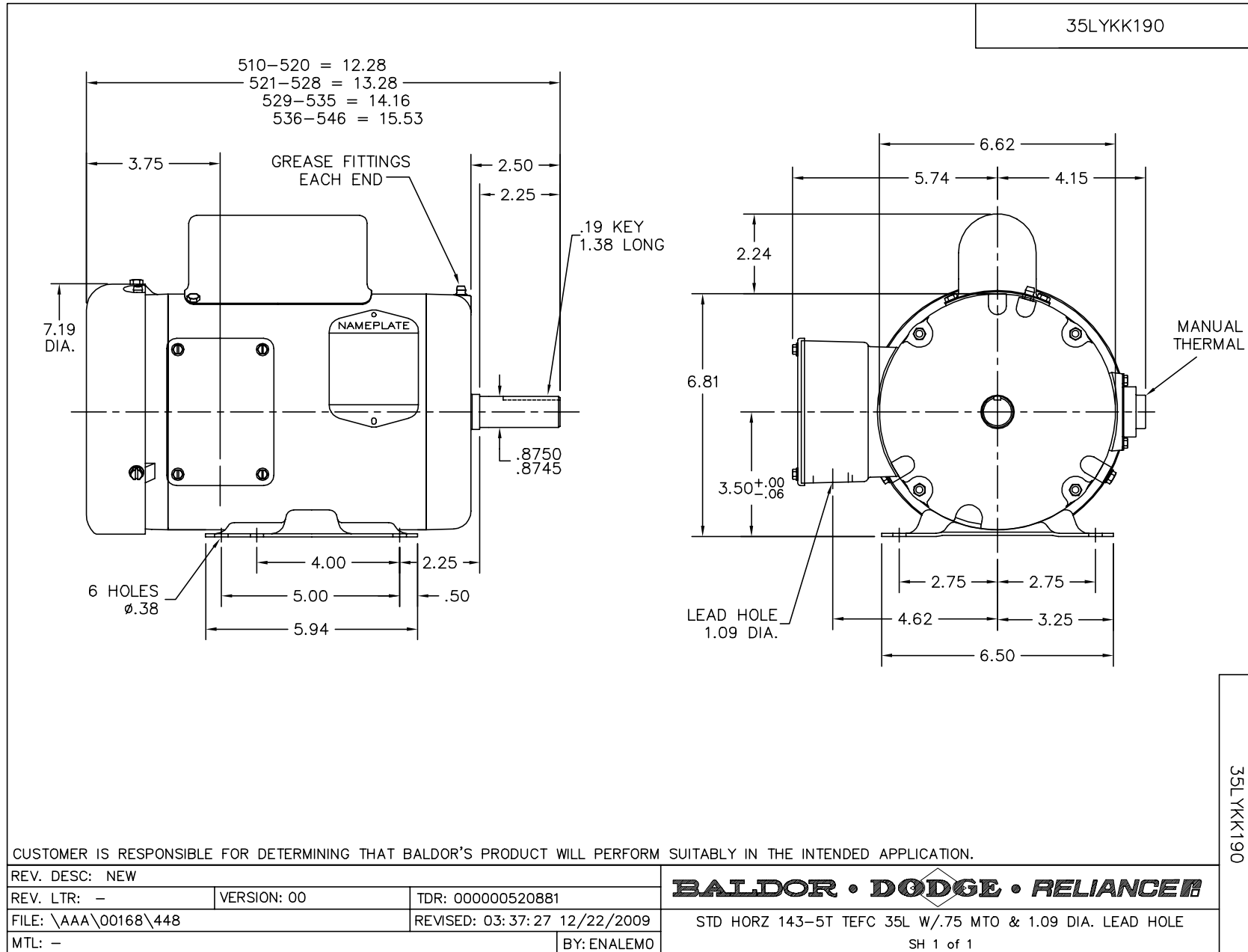
Parts List (continued)		
Part Number	Description	Quantity
35CB4521GX	CONDUIT BOX LID KIT	1.000 EA
51XW0832A07	8-32 X .44, TAPTITE II, HEX WSHR SLTD SE	4.000 EA
HW2501D13SP	KEY, 3/16 SQ X 1.375	1.000 EA
HA7000A01	KEY RETAINER 7/8" DIA SHAFT	1.000 EA
LB1087	LABEL,MANUAL RESET (ROLL LABEL)	1.000 EA
85XU0407S04	4X1/4 U DRIVE PIN STAINLESS	2.000 EA
WD1000A15	3-520132-2 AMP FLAG (4M/RL NON-CANC/NON-	2.000 EA
MJ1000A75	GREASE, POLYREX EM EXXON	0.050 LB
MG1000G27	PAINT- S9282E CHARCOAL GREY	0.017 GA
35FN3002A05SP	EXFN, PLASTIC, 6.376 OD, .638 ID	1.000 EA
SP5055A67	MODEL 35 TYPE L STATIONARY SWITCH	1.000 EA
HA3100A38	THRUBOLT 10-32 X 9.375	4.000 EA
LB1119	WARNING LABEL	1.000 EA
LB1125C01	STD (STOCK) CARTON LABEL BALDOR WITH FLA	1.000 EA
LC0269	1PH,DV,REV,THERMAL,7 LD,L.AMP THRU HTR H	1.000 EA
NP1257L	ALUM UL CSA CC THERMAL REV MTG	1.000 EA
35PA1066	PACKING GROUP COMBINED PRINT	1.000 EA

Accessories		
Part Number	Description	Multiplier
35-8762	C FACE KIT	A8
35EP1506A01SP	D-FLANGE KIT	A8

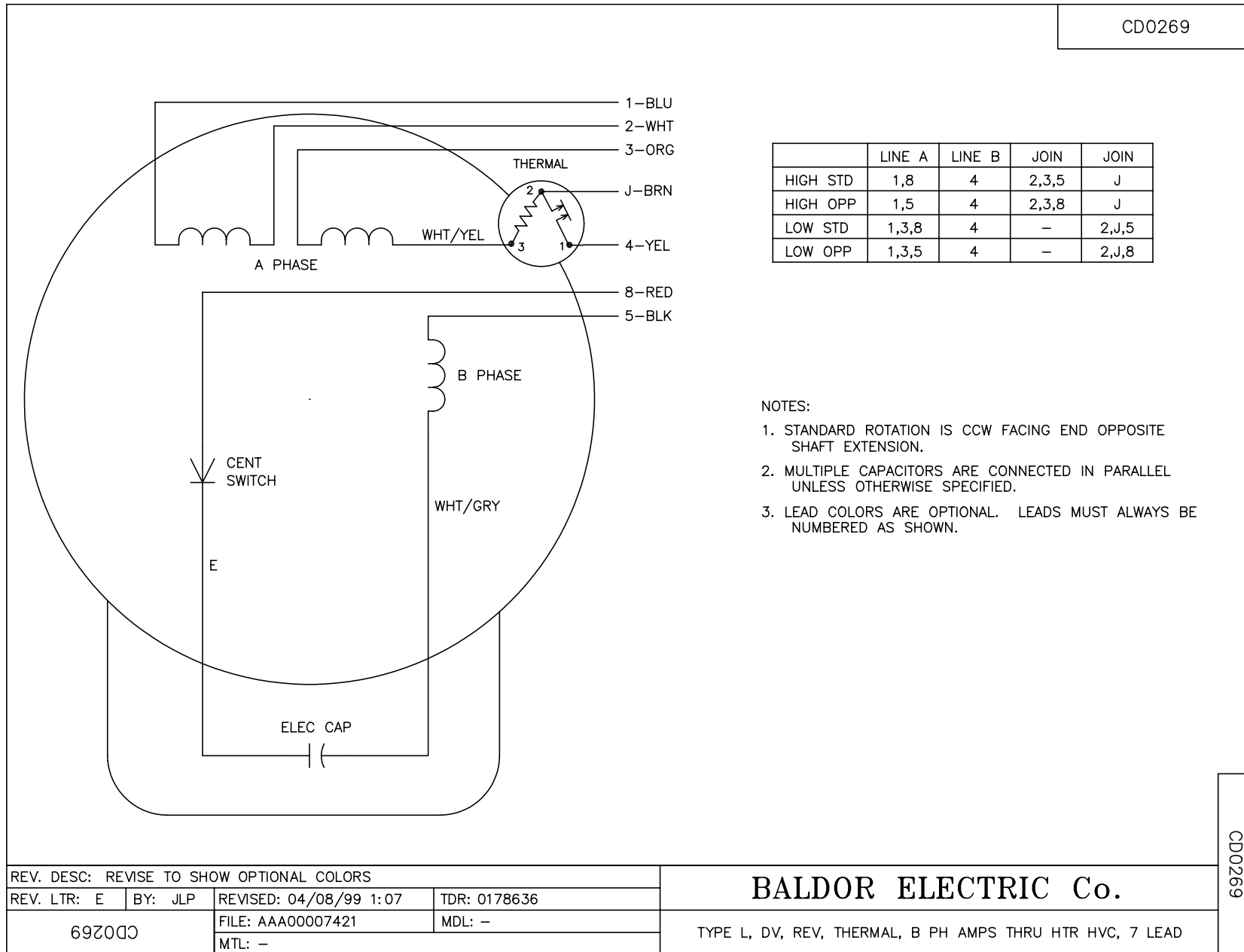
Performance Data at 230V, 60Hz, 1.0HP (Typical performance - Not guaranteed values)							
General Characteristics							
Full Load Torque:	3.0 LB-FT			Start Configuration:	DOL		
No-Load Current:	4.6 Amps			Break-Down Torque:	6.6 LB-FT		
Line-line Res. @ 25°C.:	2.76 Ohms A Ph / 1.86 Ohms B Ph			Pull-Up Torque:	5.3 LB-FT		
Temp. Rise @ Rated Load:	76 C			Locked-Rotor Torque:	9.3 LB-FT		
Temp. Rise @ S.F. Load:	92 C			Starting Current:	37.0 Amps		
Load Characteristics							
% of Rated Load	25	50	75	100	125	150	S.F.
Power Factor:	37.0	53.0	65.0	73.0	78.0	82.0	76.0
Efficiency:	51.1	63.0	66.8	66.6	63.9	58.9	65.0
Speed:	1781.0	1766.0	1749.0	1725.0	1697.0	1658.0	1708.0
Line Amperes:	4.7	5.1	5.7	6.7	8.0	9.7	7.5

Performance Graph at 230V, 60Hz, 1.0HP Typical performance - Not guaranteed values





CD0269



NOTES:

1. STANDARD ROTATION IS CCW FACING END OPPOSITE SHAFT EXTENSION.
2. MULTIPLE CAPACITORS ARE CONNECTED IN PARALLEL UNLESS OTHERWISE SPECIFIED.
3. LEAD COLORS ARE OPTIONAL. LEADS MUST ALWAYS BE NUMBERED AS SHOWN.

REV. DESC: REVISE TO SHOW OPTIONAL COLORS			
REV. LTR: E	BY: JLP	REVISED: 04/08/99 1:07	TDR: 0178636
692000		FILE: AAA00007421	MDL: -
		MTL: -	

BALDOR ELECTRIC Co.

TYPE L, DV, REV, THERMAL, B PH AMPS THRU HTR HVC, 7 LEAD

CD0269