

BALDOR® • ***RELIANCE***

Product Information Packet

L3514T-50

1.5HP, 1425RPM, 1PH, 50HZ, 145T, 3535LC, TEFC

Copyright © All product information within this document is subject to Baldor Electric Company copyright © protection, unless otherwise noted.

| Part Detail | | | | | | | |
|-------------|---------------------|-------------|--------|----------------|----------|---------------|------------|
| Revision: | D | Status: | PRD/A | Change #: | | Proprietary: | No |
| Type: | AC | Prod. Type: | 3535LC | Elec. Spec: | 35WGY989 | CD Diagram: | |
| Enclosure: | TEFC | Mfg Plant: | | Mech. Spec: | 35EE001 | Layout: | |
| Frame: | 145T | Mounting: | F1 | Poles: | 04 | Created Date: | 12-22-2009 |
| Base: | RG | Rotation: | R | Insulation: | B | Eff. Date: | 01-10-2012 |
| Leads: | 4#16 A PH,2#18 B PH | Literature: | | Elec. Diagram: | | Replaced By: | |

| Nameplate NP1372L | | | | | | | |
|-------------------|----------------|------|------|-----|---|----|---|
| CAT.NO. | L3514T-50 | | | | | | |
| SPEC. | 35EE001Y989G1 | | | | | | |
| HP | 1.5 | | | | | | |
| VOLTS | 110/220 | | | | | | |
| AMP | 16/8 | | | | | | |
| RPM | 1425 | | | | | | |
| FRAME | 145T | HZ | 50 | PH | 1 | | |
| SER.F. | 1.15 | CODE | H | DES | L | CL | B |
| NEMA-NOM-EFF | 73 | PF | 88 | | | | |
| RATING | 40C AMB-CONT | | | | | | |
| CC | USABLE AT 208V | | | | | | |
| DE | 6205 | ODE | 6203 | | | | |
| ENCL | TEFC | SN | | | | | |
| | | | | | | | |

| Parts List | | |
|---------------|--|----------|
| Part Number | Description | Quantity |
| SA189056 | SA 35EE001Y989G1 | 1.000 EA |
| RA176775 | RA 35EE001Y989G1 | 1.000 EA |
| OC3040F09SP | CYL OIL CAP 40MFD/370V | 1.000 EA |
| EC1850A06SP | ELEC CAP 115V 2.0 X 4.3 X | 1.000 EA |
| WD3006A01 | RSS-2-103JT 2W 10K RES. METAL OXIDE 5% | 1.000 EA |
| NS2512A01 | INSULATOR, CONDUIT BOX X | 1.000 EA |
| 35CB3009 | 35 CB CASTING W/1.09 DIA. LEAD HOLE @ 6: | 1.000 EA |
| 36GS1000SP | GASKET-CONDUIT BOX, .06 THICK #SV-330 LE | 1.000 EA |
| 51XB1016A07 | 10-16 X 7/16 HXWSSLD SERTYB | 2.000 EA |
| 11XW1032G06 | 10-32 X .38, TAPTITE II, HEX WSHR SLTD U | 1.000 EA |
| 35EP3100M01 | FREP TEFC 203 BRG W/GRSR (RAISED FH PADS | 1.000 EA |
| HW4500A01 | 1641B(ALEMITE)400 UNIV, GREASE FITT | 1.000 EA |
| 51XW0832A07 | 8-32 X .44, TAPTITE II, HEX WSHR SLTD SE | 2.000 EA |
| 35CB3801SP | CAPACITOR COVER, CAST | 1.000 EA |
| 34GS3002 | GASKET, CAPACITOR BOX | 1.000 EA |
| HA7010 | CAPACITOR RETENTION CLAMP | 1.000 EA |
| NS2501A02 | INSULATOR, CAPACITOR BOX | 1.000 EA |
| 51XB1016A08 | 10-16X 1/2HXWSSLD SERTYB | 2.000 EA |
| HW5100A03SP | WAVY WASHER (W1543-017) | 1.000 EA |
| 35EP3101A01SP | STD PU EP-ENCLOSED-205 BRG-W/GREASER | 1.000 EA |
| HW4500A01 | 1641B(ALEMITE)400 UNIV, GREASE FITT | 1.000 EA |
| XY1032A02 | 10-32 HEX NUT DIRECTIONAL SERRATION | 4.000 EA |
| 51XB1214A16 | 12-14X1.00 HXWSSLD SERTYB | 1.000 EA |
| 35FH4005A84SP | IEC FH W/GRSR, NO DIMPLES W/AUTOPHERETIC | 1.000 EA |

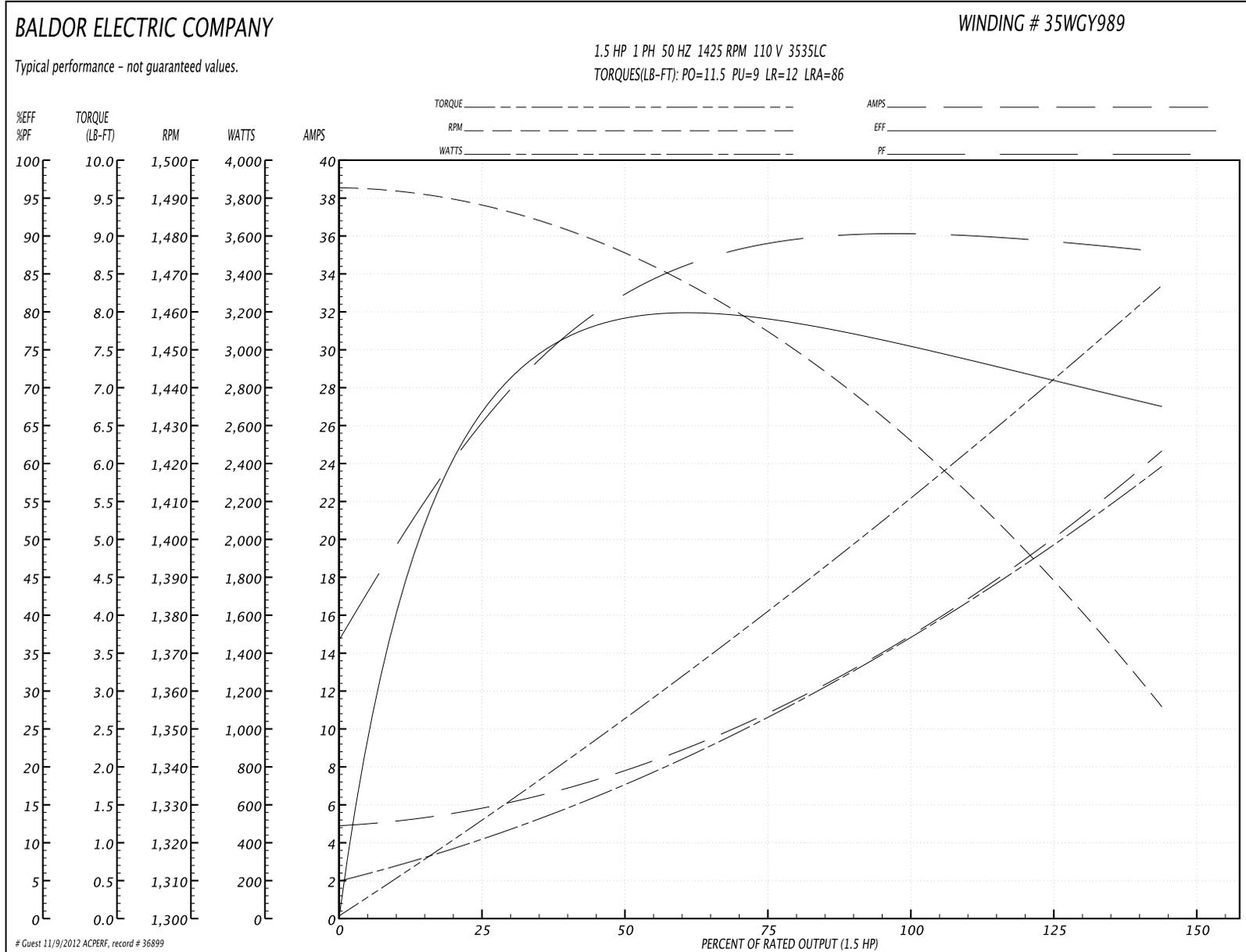
| Parts List (continued) | | |
|------------------------|--|----------|
| Part Number | Description | Quantity |
| 51XW1032A06 | 10-32 X .38, TAPTITE II, HEX WSHR SLTD S | 3.000 EA |
| 35CB4521GX | CONDUIT BOX LID KIT | 1.000 EA |
| 51XW0832A07 | 8-32 X .44, TAPTITE II, HEX WSHR SLTD SE | 4.000 EA |
| HW2501D13SP | KEY, 3/16 SQ X 1.375 | 1.000 EA |
| HA7000A01 | KEY RETAINER 7/8" DIA SHAFT | 1.000 EA |
| 85XU0407S04 | 4X1/4 U DRIVE PIN STAINLESS | 2.000 EA |
| MJ1000A75 | GREASE, POLYREX EM EXXON | 0.050 LB |
| MG1000G27 | PAINT- S9282E CHARCOAL GREY | 0.017 GA |
| WD1000A15 | 3-520132-2 AMP FLAG (4M/RL NON-CANC/NON- | 4.000 EA |
| 35FN3002A05SP | EXFN, PLASTIC, 6.376 OD, .638 ID | 1.000 EA |
| HA3100A22 | THRUBOLT 10-32 X 10.125 | 4.000 EA |
| LB5040 | INSTRUCTION TAG, AC & DC | 1.000 EA |
| SP5181A01 | MODEL 35 LC TORQ STAT SWITCH LEAD ASSY | 1.000 EA |
| LB1119 | WARNING LABEL | 1.000 EA |
| LB1125C01 | STD (STOCK) CARTON LABEL BALDOR WITH FLA | 1.000 EA |
| LC0001 | CONN LABEL TYPE L, 6 LEAD, DUAL VOLTS, R | 1.000 EA |
| NP1372L | ALUM UL CSA CE CC | 1.000 EA |
| 35PA1066 | PACKING GROUP COMBINED PRINT | 1.000 EA |

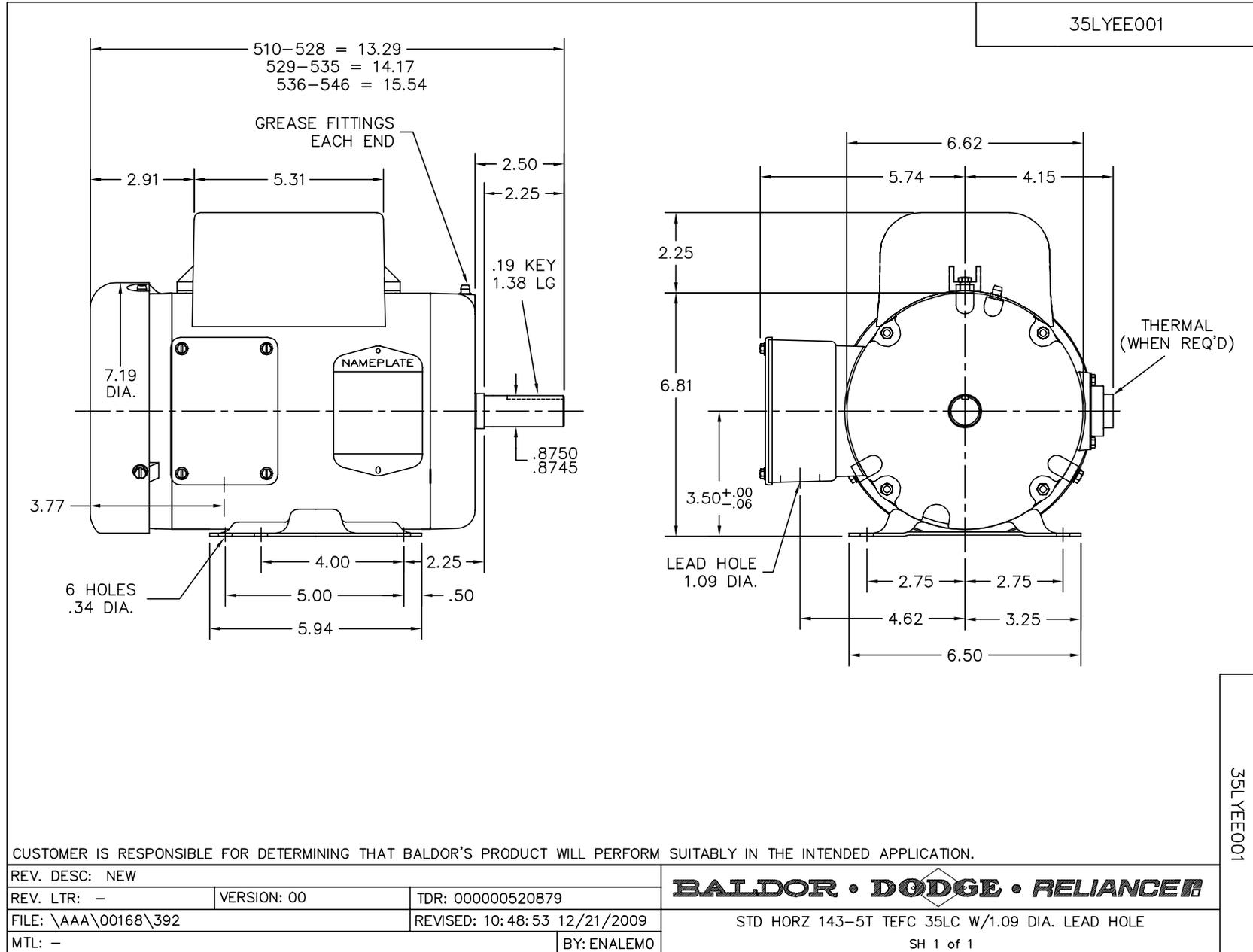
| Accessories | | |
|---------------|--------------|------------|
| Part Number | Description | Multiplier |
| 35-8762 | C FACE KIT | A8 |
| 35EP1506A01SP | D-FLANGE KIT | A8 |

Performance Data at 110V, 50Hz, 1.5HP (Typical performance - Not guaranteed values)

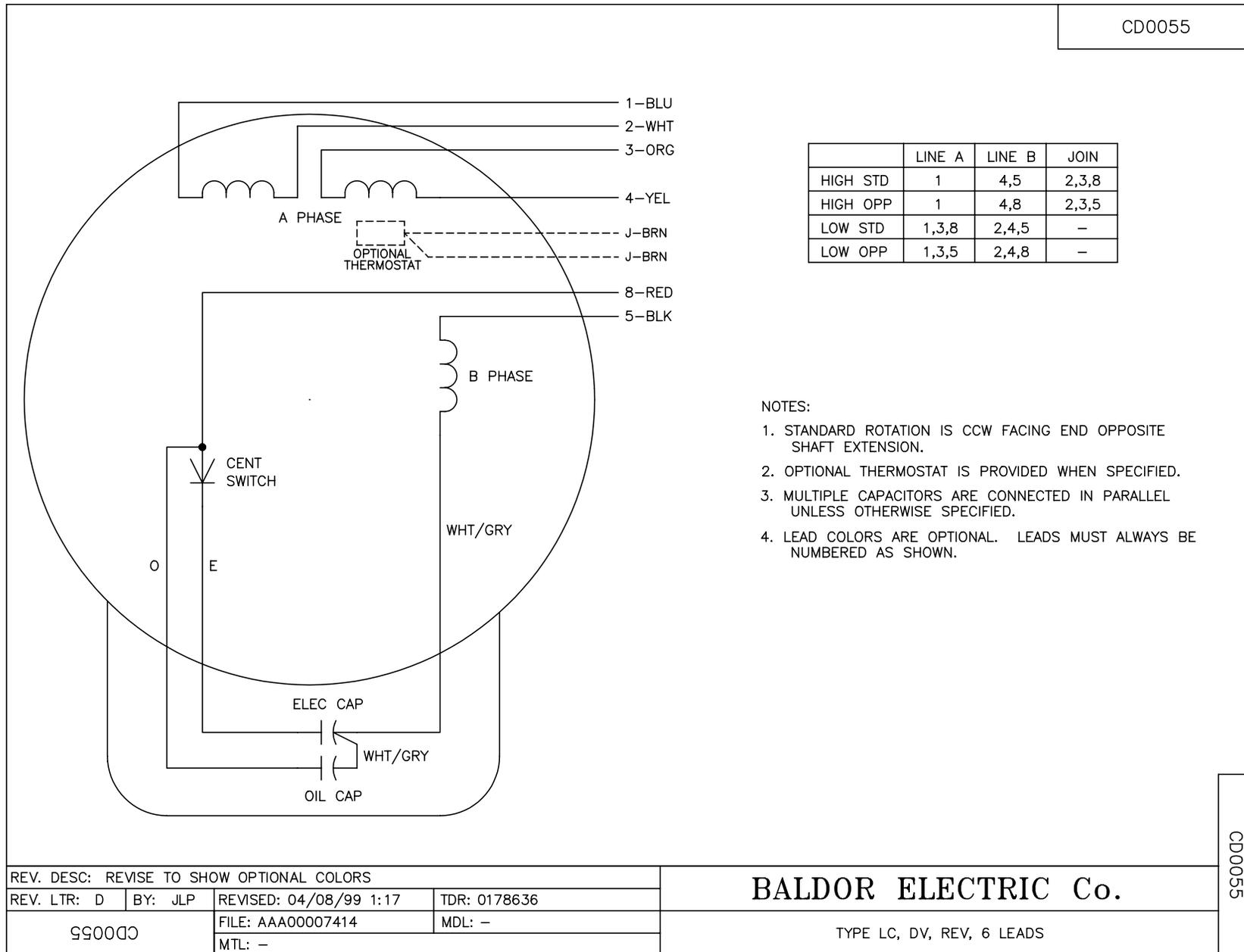
| General Characteristics | | | | | | | |
|--------------------------|----------------------------------|--------|--------|----------------------|------------|--------|--------|
| Full Load Torque: | 5.6 LB-FT | | | Start Configuration: | DOL | | |
| No-Load Current: | 4.7 Amps | | | Break-Down Torque: | 11.5 LB-FT | | |
| Line-line Res. @ 25°C.: | 0.549 Ohms A Ph / 1.92 Ohms B Ph | | | Pull-Up Torque: | 9.0 LB-FT | | |
| Temp. Rise @ Rated Load: | 74 C | | | Locked-Rotor Torque: | 12.0 LB-FT | | |
| Temp. Rise @ S.F. Load: | 94 C | | | Starting Current: | 86.0 Amps | | |
| Load Characteristics | | | | | | | |
| % of Rated Load | 25 | 50 | 75 | 100 | 125 | 150 | S.F. |
| Power Factor: | 71.0 | 86.0 | 83.0 | 92.0 | 91.0 | 87.0 | 91.0 |
| Efficiency: | 63.6 | 75.6 | 78.2 | 77.1 | 73.5 | 65.9 | 74.9 |
| Speed: | 1484.0 | 1469.0 | 1451.0 | 1429.0 | 1399.0 | 1348.0 | 1411.0 |
| Line Amperes: | 5.92 | 8.19 | 12.1 | 14.5 | 18.9 | 25.5 | 17.1 |

Performance Graph at 110V, 50Hz, 1.5HP Typical performance - Not guaranteed values





CD0055



CD0055

| | | | |
|---|---------|------------------------|--------------|
| REV. DESC: REVISE TO SHOW OPTIONAL COLORS | | | |
| REV. LTR: D | BY: JLP | REVISED: 04/08/99 1:17 | TDR: 0178636 |
| 990055 | | FILE: AAA00007414 | MDL: - |
| | | MTL: - | |

BALDOR ELECTRIC Co.

TYPE LC, DV, REV, 6 LEADS