

# **BALDOR® • RELIANCE**

## **Product Information Packet**

### **L3515-50**

**2HP,2850RPM,1PH,50HZ,56,3535LC,TEFC,F1**

Copyright © All product information within this document is subject to Baldor Electric Company copyright © protection, unless otherwise noted.

Part Detail									
Revision:	U	Status:	PRD/A	Change #:		Proprietary:	No		
Type:	AC	Prod. Type:	3535LC	Elec. Spec:	35WGY963	CD Diagram:			
Enclosure:	TEFC	Mfg Plant:		Mech. Spec:	35T948	Layout:			
Frame:	56	Mounting:	F1	Poles:	02	Created Date:	06-22-2007		
Base:	RG	Rotation:	R	Insulation:	F	Eff. Date:	04-27-2012		
Leads:	4#16 A PH,2#18 B PH	Literature:		Elec. Diagram:		Replaced By:			
Nameplate NP1372L									
CAT.NO.	L3515-50								
SPEC.	35T948Y963G1								
HP	2								
VOLTS	110/220								
AMP	19.4/9.7								
RPM	2850								
FRAME	56	HZ	50			PH	1		
SER.F.	1.15	CODE	G			DES	L	CL	F
NEMA-NOM-EFF	77	PF	96						
RATING	40C AMB-CONT								
CC					USABLE AT 208V				
DE	6205	ODE	6203						
ENCL	TEFC	SN							
	IP44								

Parts List		
Part Number	Description	Quantity
SA111035	SA 35T948Y963G1	1.000 EA
RA102414	RA 35T948Y963G1	1.000 EA
OC3050C09	CYL OIL CAP 50MFD/240V	1.000 EA
EC1540A06SP	ELEC CAP, 540-648 MFD, 125V, 2.06D X 4.	1.000 EA
WD3006A01	RSS-2-103JT 2W 10K RES. METAL OXIDE 5%	1.000 EA
NS2512A01	INSULATOR, CONDUIT BOX X	1.000 EA
35CB3007	35 CB CASTING W/.88 DIA. LEAD HOLE	1.000 EA
36GS1000SP	GASKET-CONDUIT BOX, .06 THICK #SV-330 LE	1.000 EA
51XB1016A07	10-16 X 7/16 HXWSSLD SERTYB	2.000 EA
11XW1032G06	10-32 X .38, TAPTITE II, HEX WSHR SLTD U	1.000 EA
35EP3100M02	FREP TEFC 203 BRG W/O GRSR (RAISED FH MT	1.000 EA
51XW0832A07	8-32 X .44, TAPTITE II, HEX WSHR SLTD SE	2.000 EA
35CB3801SP	CAPACITOR COVER, CAST	1.000 EA
NS2501A02	INSULATOR, CAPACITOR BOX	1.000 EA
HA7010	CAPACITOR RETENTION CLAMP	1.000 EA
34GS3002	GASKET, CAPACITOR BOX	1.000 EA
51XB1016A08	10-16X 1/2HXWSSLD SERTYB	2.000 EA
HW5100A03SP	WAVY WASHER (W1543-017)	1.000 EA
35EP3101A02SP	STD PU ENDPLATE-ENCL-205 BRG LESS GREASE	1.000 EA
XY1032A02	10-32 HEX NUT DIRECTIONAL SERRATION	4.000 EA
35FN3002A05SP	EXFN, PLASTIC, 6.376 OD, .638 ID	1.000 EA
51XB1214A16	12-14X1.00 HXWSSLD SERTYB	1.000 EA
35FH4005A32SP	IEC FH NO GRSR W/3 HOLES - W/AUTOPHERETI	1.000 EA
51XW1032A06	10-32 X .38, TAPTITE II, HEX WSHR SLTD S	3.000 EA

Parts List (continued)		
Part Number	Description	Quantity
35CB4521	35 LIPPED CB LID (GALV & PHOSPH)	1.000 EA
35GS1030	35 GS FOR CB LID - LEXIDE	1.000 EA
51XW0832A07	8-32 X .44, TAPTITE II, HEX WSHR SLTD SE	4.000 EA
HW2501D13SP	KEY, 3/16 SQ X 1.375	1.000 EA
HA7000A04	KEY RETAINER 0.625 DIA SHAFTS	1.000 EA
85XU0407S04	4X1/4 U DRIVE PIN STAINLESS	2.000 EA
WD1000A16	2-520128-2 AMP FLAG TERMINAL(4M/RL)	4.000 EA
MJ1000A75	GREASE, POLYREX EM EXXON	0.050 LB
MG1000G27	PAINT- S9282E CHARCOAL GREY	0.017 GA
HA3100A22	THRUBOLT 10-32 X 10.125	4.000 EA
LB5040	INSTRUCTION TAG, AC & DC	1.000 EA
SP5181A28	MODEL 35 LC TORQ STAT SWITCH LEAD ASSY	1.000 EA
LB1119	WARNING LABEL	1.000 EA
LB1125C01	STD (STOCK) CARTON LABEL BALDOR WITH FLA	1.000 EA
LC0001	CONN LABEL TYPE L, 6 LEAD, DUAL VOLTS, R	1.000 EA
NP1372L	ALUM UL CSA CE CC	1.000 EA
36PA1000	PACK GROUP W/LB5001	1.000 EA

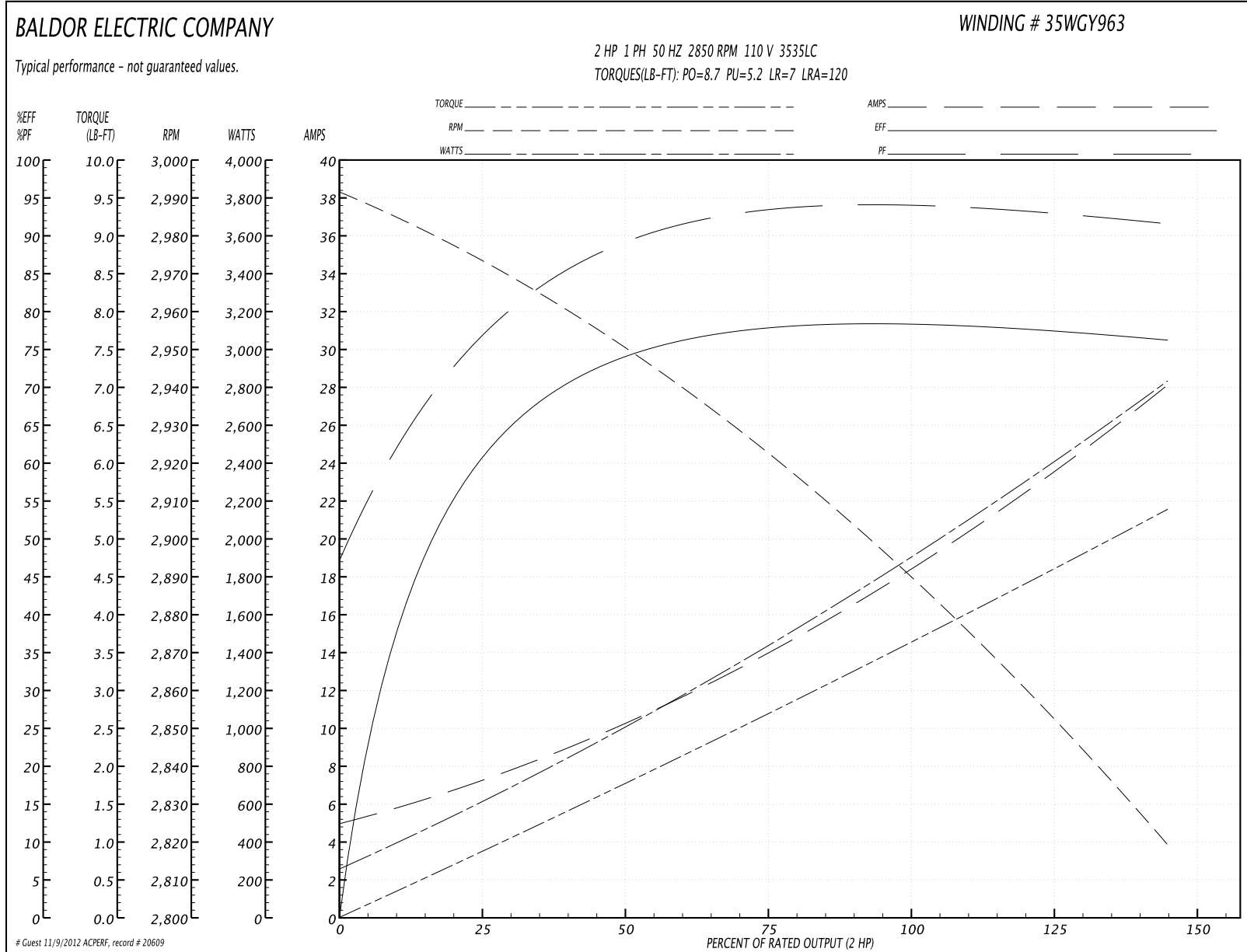
Accessories		
Part Number	Description	Multiplier
35-8762	C FACE KIT	A8
35EP1506A01SP	D-FLANGE KIT	A8

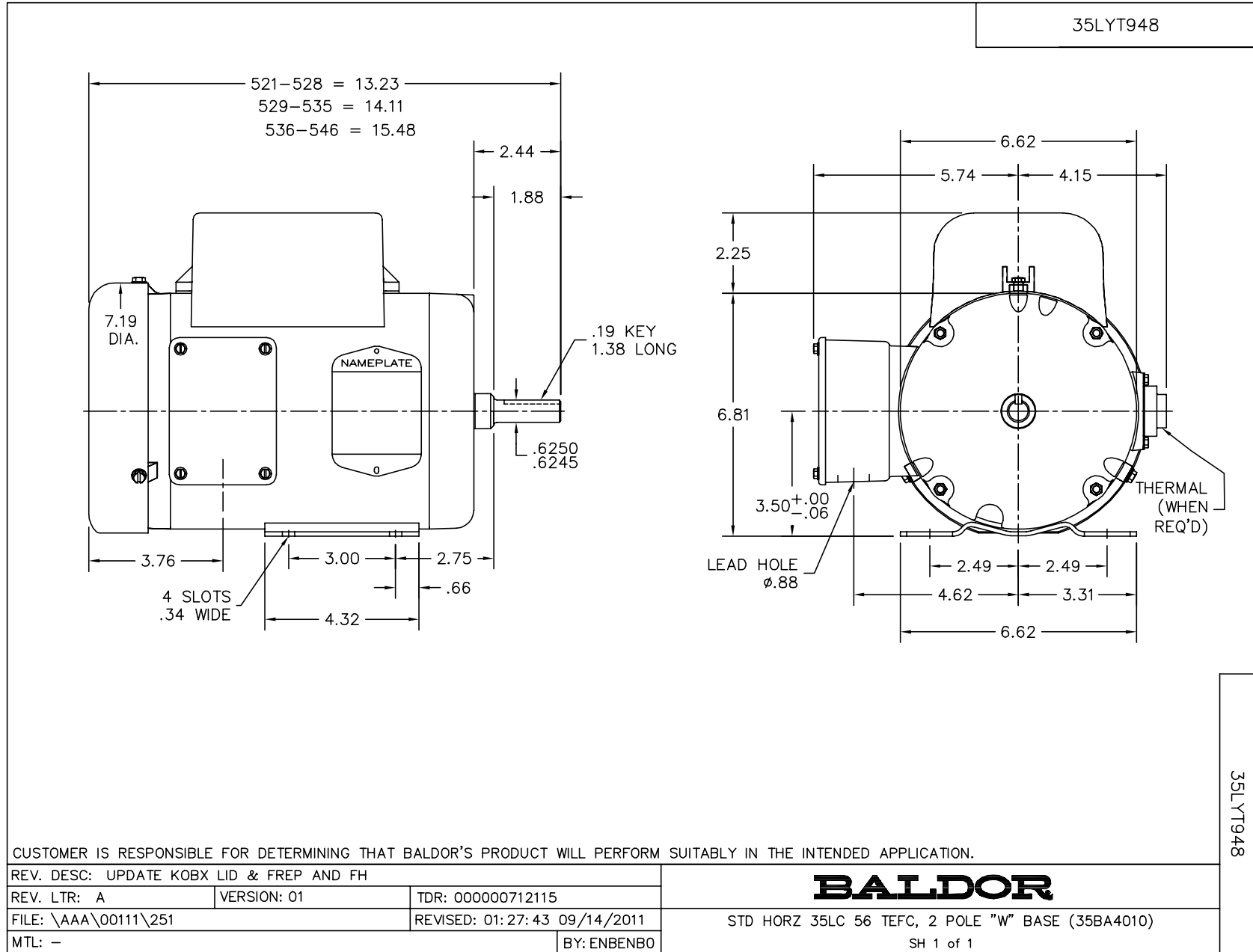
**Performance Data at 110V, 50Hz, 2.0HP (Typical performance - Not guaranteed values)**

General Characteristics			
Full Load Torque:	3.6 LB-FT	Start Configuration:	DOL
No-Load Current:	5.0 Amps	Break-Down Torque:	8.7 LB-FT
Line-line Res. @ 25°C.:	0.256 Ohms A Ph / 1.64 Ohms B Ph	Pull-Up Torque:	5.2 LB-FT
Temp. Rise @ Rated Load:	82 C	Locked-Rotor Torque:	7.0 LB-FT
Temp. Rise @ S.F. Load:		Starting Current:	120.0 Amps

Load Characteristics							
% of Rated Load	25	50	75	100	125	150	S.F.
Power Factor:	78.0	89.0	93.0	94.0	95.0	95.0	0.0
Efficiency:	60.3	73.4	77.8	78.8	78.0	75.9	0.0
Speed:	2972.0	2948.0	2922.0	2893.0	2859.0	2817.0	0.0
Line Amperes:	7.2	10.4	14.1	18.2	22.9	28.2	0.0

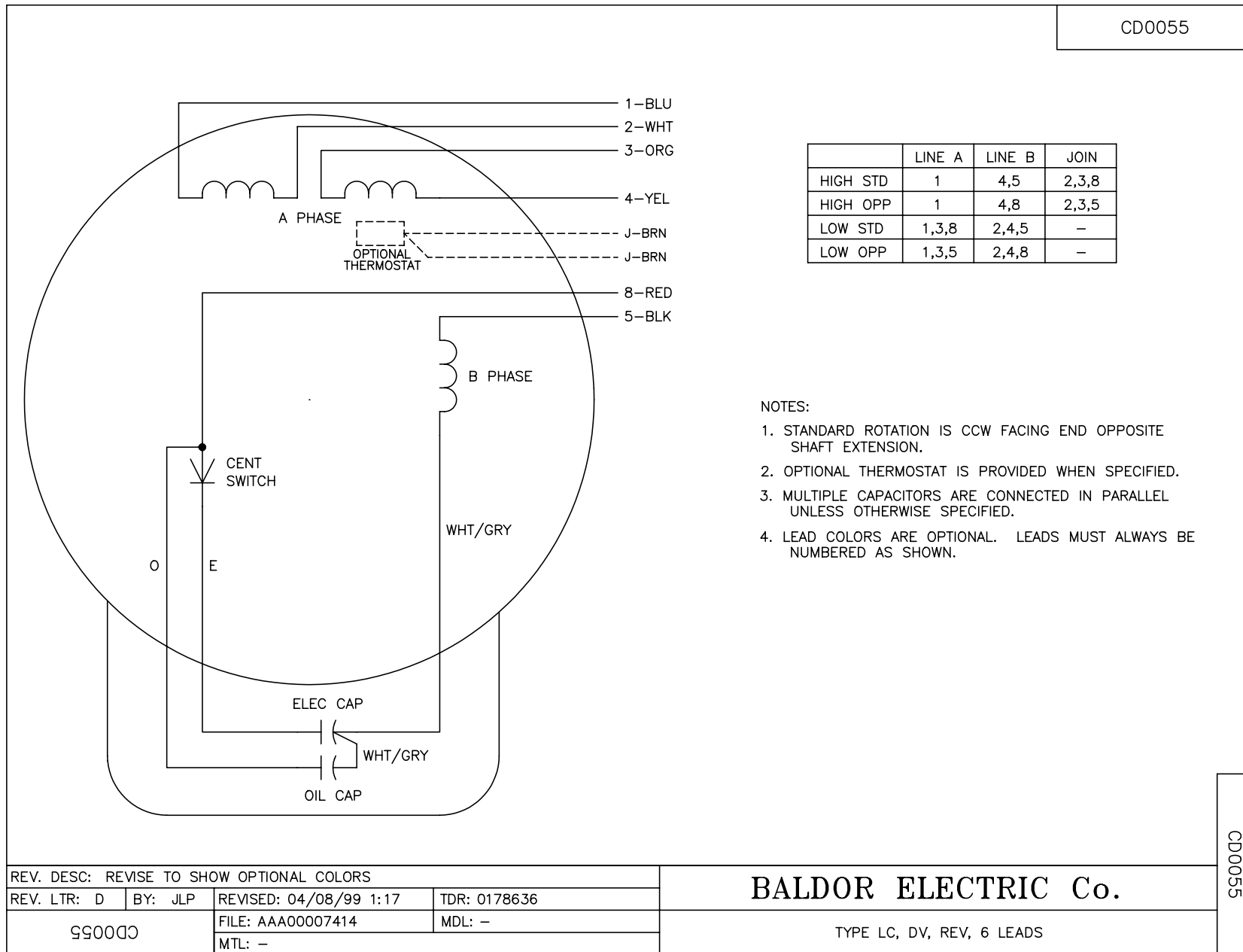
Performance Graph at 110V, 50Hz, 2.0HP Typical performance - Not guaranteed values







CD0055



REV. DESC: REVISE TO SHOW OPTIONAL COLORS			
REV. LTR: D	BY: JLP	REVISED: 04/08/99 1:17	TDR: 0178636
990055		FILE: AAA00007414	MDL: -
		MTL: -	

**BALDOR ELECTRIC Co.**

TYPE LC, DV, REV, 6 LEADS

CD0055