

# **BALDOR® • RELIANCE**

## **Product Information Packet**

# **L3516TM**

**2HP,1730RPM,1PH,60HZ,56HZ,3528LC,TEFC,F1**

Copyright © All product information within this document is subject to Baldor Electric Company copyright © protection, unless otherwise noted.

Part Detail							
Revision:	K	Status:	PRD/A	Change #:		Proprietary:	No
Type:	AC	Prod. Type:	3528LC	Elec. Spec:	35WGP239	CD Diagram:	
Enclosure:	TEFC	Mfg Plant:		Mech. Spec:	35J674	Layout:	
Frame:	56HZ	Mounting:	F1	Poles:	04	Created Date:	03-22-2006
Base:	RG	Rotation:	R	Insulation:	F	Eff. Date:	10-11-2012
Leads:	2#16 A PH,3#18 B&J	Literature:		Elec. Diagram:		Replaced By:	

Nameplate NP1257L									
CAT.NO.	L3516TM								
SPEC.	35J674P239								
HP	2								
VOLTS	208-230								
AMP	8.8-8.1								
RPM	1740								
FRAME	56HZ	HZ			60	PH	1		
SER.F.	1.15	CODE			H	DES	L	CL	F
NEMA-NOM-EFF	82.5	PF			97				
RATING	40C AMB-CONT								
CC				USABLE AT 208V					
DE	6205	ODE			6203				
ENCL	TEFC	SN							

Parts List		
Part Number	Description	Quantity
SA140525	SA 35J674P239	1.000 EA
RA129917	RA 35J674P239	1.000 EA
OC3030F11SP	CYL OIL CAP 30MFD/370V	1.000 EA
TPCRT38CA	THERMAL 1PH 1.00 MAN 105C	1.000 EA
EC1189C06SP	ELEC CAP, 189-227 MFD, 250V, 2.06D X 4.	1.000 EA
35FN3002A05SP	EXFN, PLASTIC, 6.376 OD, .638 ID	1.000 EA
TP5059	GENERIC THERMAL KIT	1.000 EA
NS2512A01	INSULATOR, CONDUIT BOX X	1.000 EA
35CB3007A17	35 CB .88 DIA @ 6:00, 1.00 MTO @ 3:00	1.000 EA
36GS1000SP	GASKET-CONDUIT BOX, .06 THICK #SV-330 LE	1.000 EA
51XB1016A07	10-16 X 7/16 HXWSSLD SERTYB	2.000 EA
HA6015A02	THERMAL RETAINER (PLATED)	1.000 EA
NS2500A02	INSULATOR, MAN THER PROT	1.000 EA
51XB1214A10	12-14 X 5/8HX WS SL SR TYBX	2.000 EA
11XW1032G06	10-32 X .38, TAPTITE II, HEX WSHR SLTD U	1.000 EA
35EP3100M02	FREP TEFC 203 BRG W/O GRSR (RAISED FH MT	1.000 EA
51XW0832A07	8-32 X .44, TAPTITE II, HEX WSHR SLTD SE	2.000 EA
NS2501A02	INSULATOR, CAPACITOR BOX	1.000 EA
35CB3801SP	CAPACITOR COVER, CAST	1.000 EA
34GS3002	GASKET, CAPACITOR BOX	1.000 EA
51XB1016A08	10-16X 1/2HXWSSLD SERTYB	2.000 EA
HA7010	CAPACITOR RETENTION CLAMP	1.000 EA
HW5100A03SP	WAVY WASHER (W1543-017)	1.000 EA
35EP3101A02SP	STD PU ENDPLATE-ENCL-205 BRG LESS GREASE	1.000 EA

Parts List (continued)		
Part Number	Description	Quantity
XY1032A02	10-32 HEX NUT DIRECTIONAL SERRATION	4.000 EA
51XB1214A16	12-14X1.00 HXWSSLD SERTYB	1.000 EA
35FH4005A32SP	IEC FH NO GRSR W/3 HOLES - W/AUTOPHERETI	1.000 EA
51XW1032A06	10-32 X .38, TAPTITE II, HEX WSHR SLTD S	3.000 EA
35CB4521GX	CONDUIT BOX LID KIT	1.000 EA
51XW0832A07	8-32 X .44, TAPTITE II, HEX WSHR SLTD SE	4.000 EA
HW2501D13SP	KEY, 3/16 SQ X 1.375	1.000 EA
HA7000A01	KEY RETAINER 7/8" DIA SHAFT	1.000 EA
85XU0407S04	4X1/4 U DRIVE PIN STAINLESS	2.000 EA
WD1000A15	3-520132-2 AMP FLAG (4M/RL NON-CANC/NON-	4.000 EA
MJ1000A75	GREASE, POLYREX EM EXXON	0.050 LB
MG1000G27	PAINT- S9282E CHARCOAL GREY	0.017 GA
HA3100A18	THRUBOLT 10-32 X 9.250	4.000 EA
SP5181A01	MODEL 35 LC TORQ STAT SWITCH LEAD ASSY	1.000 EA
LB1119	WARNING LABEL	1.000 EA
LB1125C01	STD (STOCK) CARTON LABEL BALDOR WITH FLA	1.000 EA
LB1087	LABEL,MANUAL RESET (ROLL LABEL)	1.000 EA
LC0002	CONNECTION LABEL	1.000 EA
NP1257L	ALUM UL CSA CC THERMAL REV MTG	1.000 EA
35PA1066	PACKING GROUP COMBINED PRINT	1.000 EA

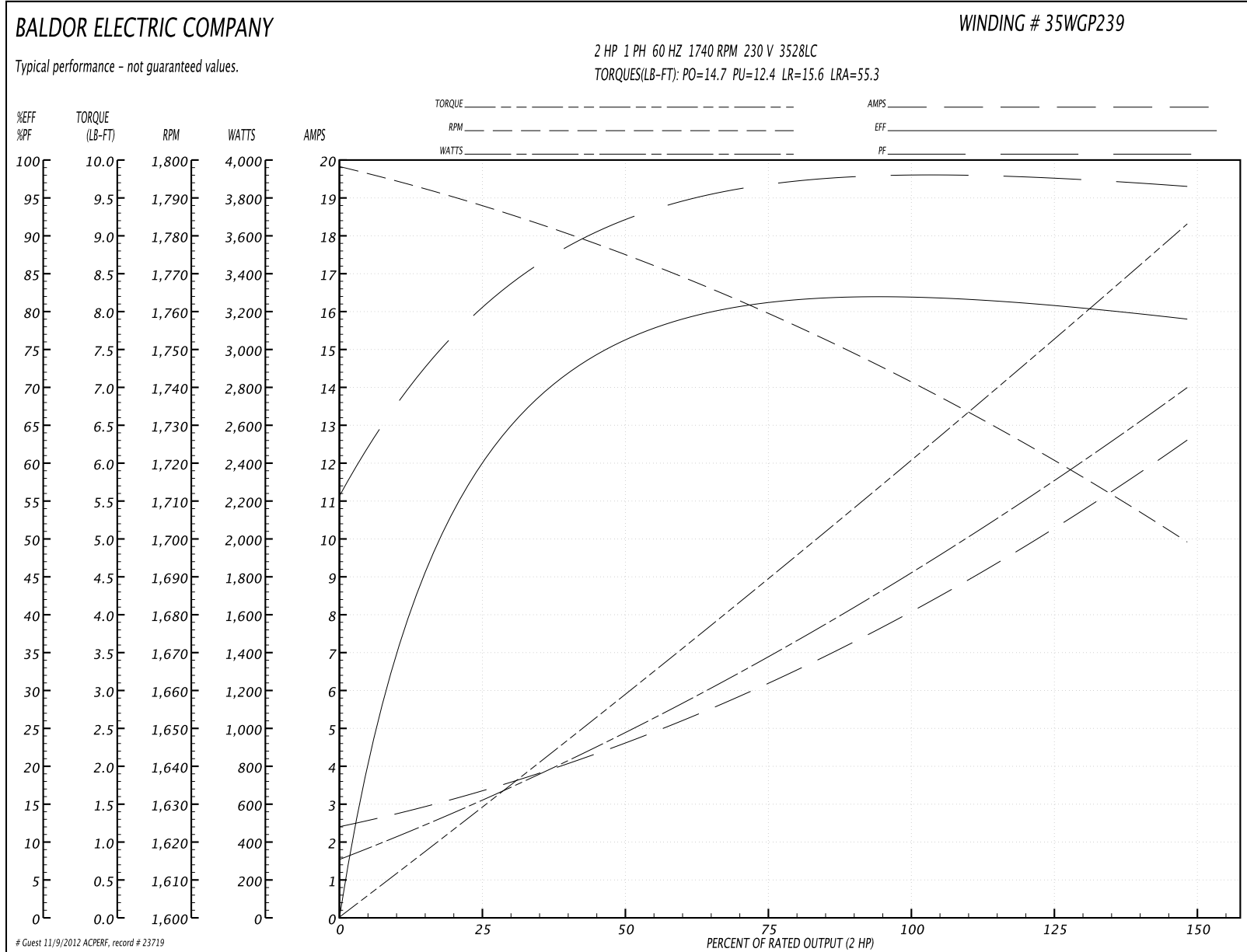
Accessories		
Part Number	Description	Multiplier
35-8762	C FACE KIT	A8
35EP1506A01SP	D-FLANGE KIT	A8

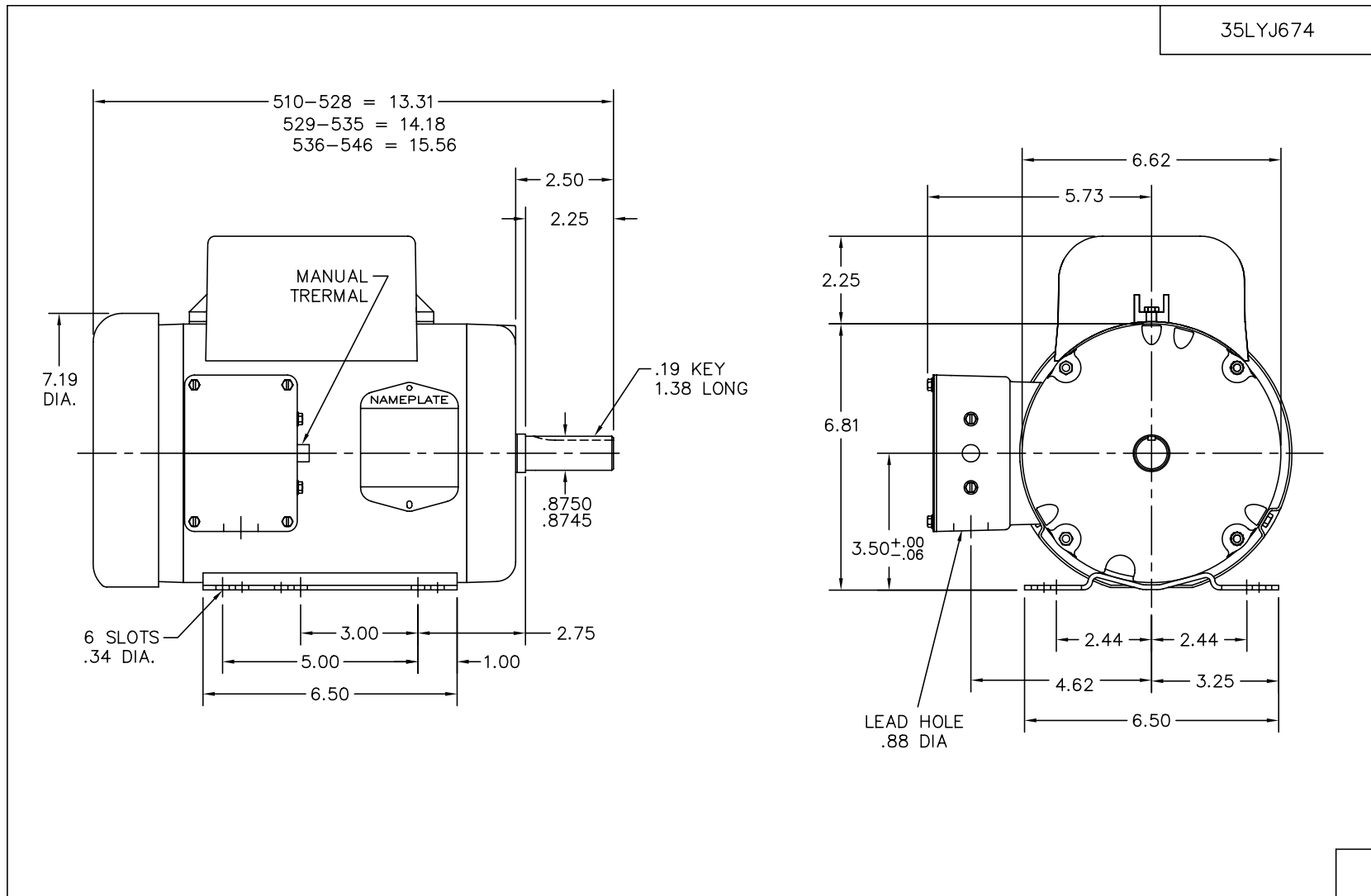
**Performance Data at 230V, 60Hz, 2.0HP (Typical performance - Not guaranteed values)**

General Characteristics			
Full Load Torque:	5.96 LB-FT	Start Configuration:	DOL
No-Load Current:	2.46 Amps	Break-Down Torque:	14.7 LB-FT
Line-line Res. @ 25°C.:	1.49 Ohms A Ph / 3.23 Ohms B Ph	Pull-Up Torque:	12.4 LB-FT
Temp. Rise @ Rated Load:	76 C	Locked-Rotor Torque:	15.6 LB-FT
Temp. Rise @ S.F. Load:	95 C	Starting Current:	55.3 Amps

Load Characteristics							
% of Rated Load	25	50	75	100	125	150	S.F.
Power Factor:	83.0	93.0	96.0	97.0	98.0	97.0	98.0
Efficiency:	58.2	74.9	80.7	82.7	81.4	78.6	81.9
Speed:	1788.0	1775.0	1760.0	1743.0	1723.0	1698.0	1731.0
Line Amperes:	3.22	4.5	6.17	7.99	10.2	12.6	9.32

Performance Graph at 230V, 60Hz, 2.0HP Typical performance - Not guaranteed values

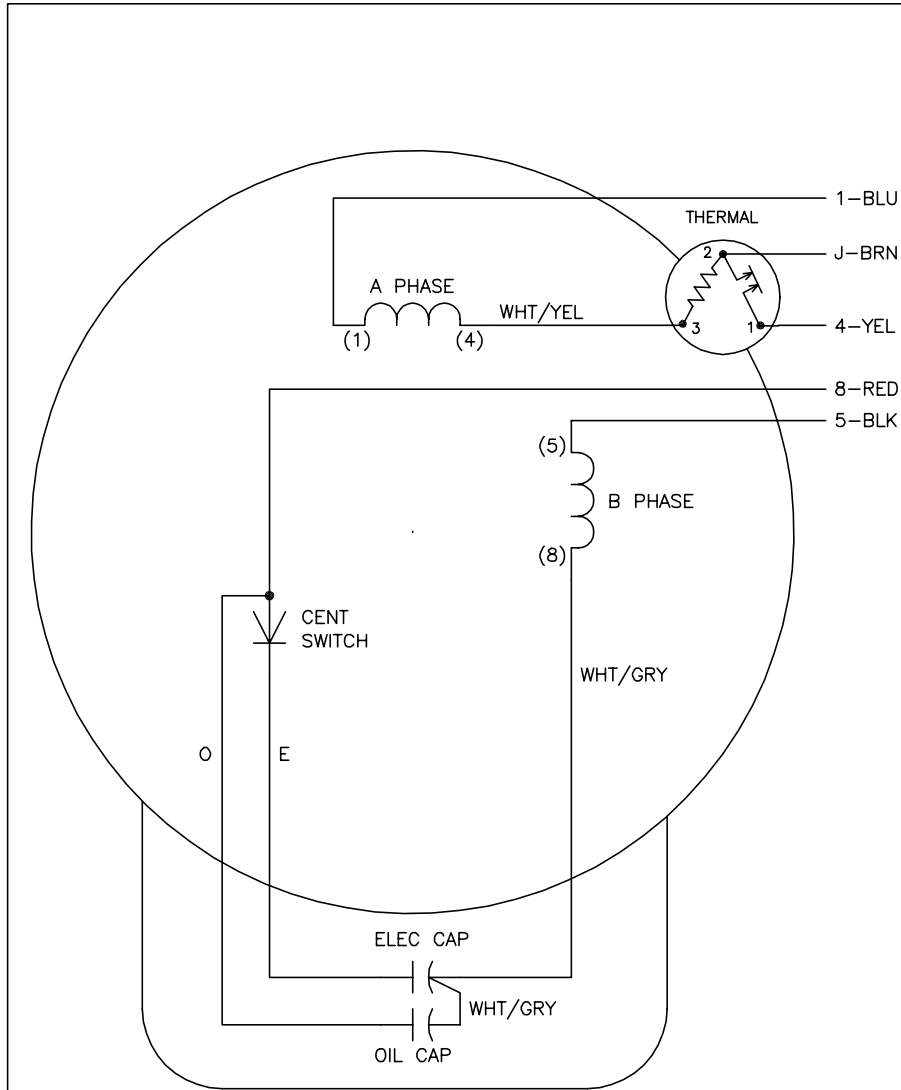




CUST. NAME		CUST. P.O.		CERTIFIED BY		MODEL		INSUL		AMB	
H.P.		MTG		TYPE		R.P.M.		VOLTS		ENCL	
REV. LTR: F		BY: JED		REVISED: 04/12/99 10:17		TDR: 0171807		PHASE		FREQ	
479YJ674		FILE: AAA00014082		MDL: -		MTL: -		FRAME		BALDOR ELECTRIC Co.	
								HORZ 56/56HZ W/143-145T SHAFT & 1" MTO		35LYJ674	



CD0002A02



	LINE A	LINE B	JOIN
STD	1,8	4	J,5
OPP	1,5	4	J,8

NOTES:

1. STANDARD ROTATION IS CCW FACING END OPPOSITE SHAFT EXTENSION.
2. MULTIPLE CAPACITORS ARE CONNECTED IN PARALLEL UNLESS OTHERWISE SPECIFIED.
3. LEAD COLORS ARE OPTIONAL. LEADS MUST ALWAYS BE NUMBERED AS SHOWN.

REV. DESC: REMOVE 2-TERMINAL THERMAL DETAIL, SEE CD0002A04			
REV. LTR: D	VERSION: 01	TDR: 000000360649	
CD0002A02	FILE: \AAA\00007\520	REVISED: 17:11:40 04/15/2005	
	MTL: -	BY: ENJOEPO	

**BALDOR ELECTRIC Co.**

TYPE LC, SV, REV, THERMAL, 5 LEADS

CD0002A02