

BALDOR® • RELIANCE

Product Information Packet

L3708TM

5HP, 1725RPM, 1PH, 60HZ, 213T, 3744LC, TEFC, F1

Copyright © All product information within this document is subject to Baldor Electric Company copyright © protection, unless otherwise noted.

Part Detail							
Revision:	AK	Status:	PRD/A	Change #:		Proprietary:	No
Type:	AC	Prod. Type:	3744LC	Elec. Spec:	37WG0679	CD Diagram:	
Enclosure:	TEFC	Mfg Plant:		Mech. Spec:	37E039	Layout:	
Frame:	213T	Mounting:	F1	Poles:	04	Created Date:	
Base:	RG	Rotation:	R	Insulation:	B	Eff. Date:	06-03-2009
Leads:	2#12 A PH,3#14 B&J	Literature:		Elec. Diagram:		Replaced By:	

Nameplate NP1257L										
CAT.NO.	L3708TM									
SPEC.	37E39-679									
HP	5									
VOLTS	230									
AMP	21.5									
RPM	1725									
FRAME	213T	HZ				60	PH	1		
SER.F.	1.00	CODE				J	DES	L	CL	B
NEMA-NOM-EFF	82	PF				87				
RATING	40C AMB-CONT									
CC					USABLE AT 208V					
DE	6307	ODE				6206				
ENCL	TEFC				SN					

Parts List		
Part Number	Description	Quantity
SA030775	SA 37E39-679	1.000 EA
RA026814	RA 37E39-679	1.000 EA
OC3020F12SP	CYL OIL CAP 20MFD/370V	1.000 EA
TPBRJ35DB	THERMAL 1PH 1.25 MAN 120C	1.000 EA
EC1216C06SP	ELEC CAP, 216-259 MFD, 250V, 2.06D X 4.	2.000 EA
HA6361A01	LIFTING LUG FOR 37, 39 & 40 FRAME (AUTOP	2.000 EA
37CB3004A11	37 CB 1.09 DIA @ 6:00, 1.25 MTO @ 3:00	1.000 EA
37GS1000SP	GASKET, CONDUIT BOX STD., .06 THICK LEXI	1.000 EA
51XW2520A12	.25-20 X .75, TAPTITE II, HEX WSHR SLTD	2.000 EA
11XW1032G06	10-32 X .38, TAPTITE II, HEX WSHR SLTD U	1.000 EA
HA6015A08	THERMAL RETAINER (PLATED)	1.000 EA
51XB1214A10	12-14 X 5/8HX WS SL SR TYBX	2.000 EA
37EP3101A01SP	FR ENDPLATE,TEFC, 37 L&M, W/GREASER	1.000 EA
HW4500A01	1641B(ALEMITE)400 UNIV, GREASE FITT	1.000 EA
13XT0832A07	8-32X7/16 TYP 23 PAN HD SLT DX	2.000 EA
NS2539	INSULATOR FOR 37 FRAMESWITCH (MH1011A10)	1.000 EA
37CB3802SP	CAPACITOR COVER, CAST	1.000 EA
37GS3012A01	GASKET,CAP.BOX 1/16"THICKLEXIDE SV-330 T	1.000 EA
10XN2520A10	1/4-20X 5/8 HEX HD X	2.000 EA
HW1001A25	LOCKWASHER 1/4, ZINC PLT .493 OD, .255 I	2.000 EA
HW5100A06	W2420-025 WVY WSHR (WB)	1.000 EA
37EP3100A01SP	STD PU ENDPLATE, ENCL,37 "T"-307 BRG, W/	1.000 EA
HW4500A01	1641B(ALEMITE)400 UNIV, GREASE FITT	1.000 EA
XY3118A12	5/16-18 HEX NUT DIRECTIONAL SERRATION	4.000 EA

Parts List (continued)		
Part Number	Description	Quantity
51XB1214A20	12-14X1.25 HXWSSLD SERTYB	1.000 EA
07FH4007A41	IEC FH W/GRSR, NOTCH @ 6:00 & 3 FAN CVR	1.000 EA
51XW1032A06	10-32 X .38, TAPTITE II, HEX WSHR SLTD S	3.000 EA
37CB4516	LIPPED LID FOR 37 FRAME NEC KOBX	1.000 EA
37GS1008SP	37 GS FOR CB LID - LEXIDE	1.000 EA
51XW0832A07	8-32 X .44, TAPTITE II, HEX WSHR SLTD SE	4.000 EA
HW2501F21	KEY, 5/16 SQ X 2.375	1.000 EA
HA7000A02	KEY RETAINER RING, 1 1/8 DIA, 1 3/8 DIA	1.000 EA
LB1087	LABEL, MANUAL RESET (ROLL LABEL)	1.000 EA
LB1115	LABEL, LIFTING DEVICE	1.000 EA
85XU0407S04	4X1/4 U DRIVE PIN STAINLESS	2.000 EA
HA7010A01	CAPACITOR RETENTION CLAMP, 6.562 LONG	1.000 EA
MJ1000A75	GREASE, POLYREX EM EXXON	0.050 LB
37FN3002A01SP	EXFN, PLASTIC, 9.00 OD, 1.155 ID	1.000 EA
MG1000G27	PAINT- S9282E CHARCOAL GREY	0.028 GA
SP5064A02	MODEL 37 TYPE LC STATIONARY SWITCH LEAD	1.000 EA
WD1000A15	3-520132-2 AMP FLAG (4M/RL NON-CANC/NON-	6.000 EA
HA3104A53	THRUBOLT .31-18 X 13.687 W/2.25" THRD LE	4.000 EA
LB1119	WARNING LABEL	1.000 EA
LB1125C01	STD (STOCK) CARTON LABEL BALDOR WITH FLA	1.000 EA
LC0002	CONNECTION LABEL	1.000 EA
NP1257L	ALUM UL CSA CC THERMAL REV MTG	1.000 EA
36PA1001	PACKAGING GROUP	1.000 EA

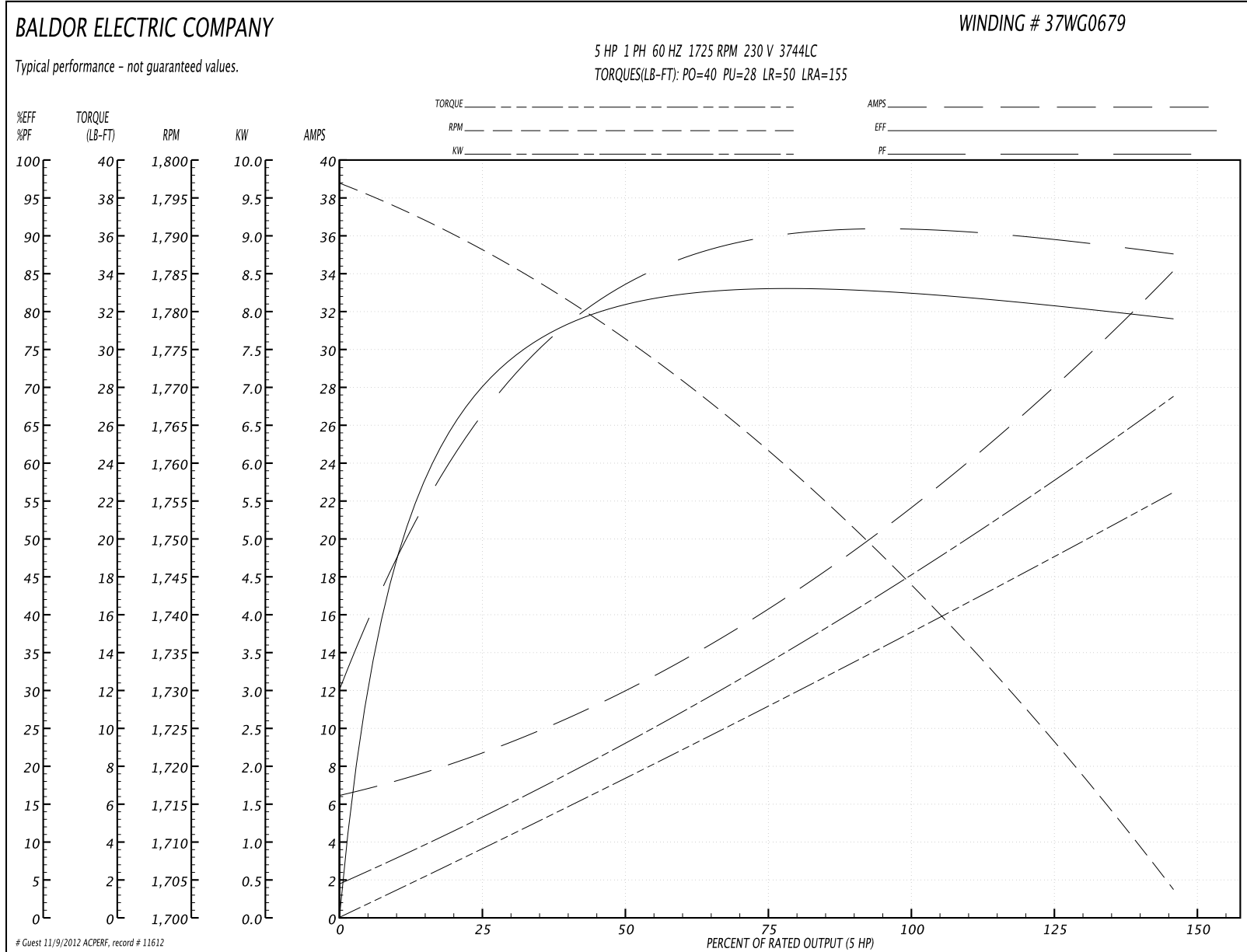
Accessories		
Part Number	Description	Multiplier
37-3301	C FACE KIT	P1

Performance Data at 230V, 60Hz, 5.0HP (Typical performance - Not guaranteed values)

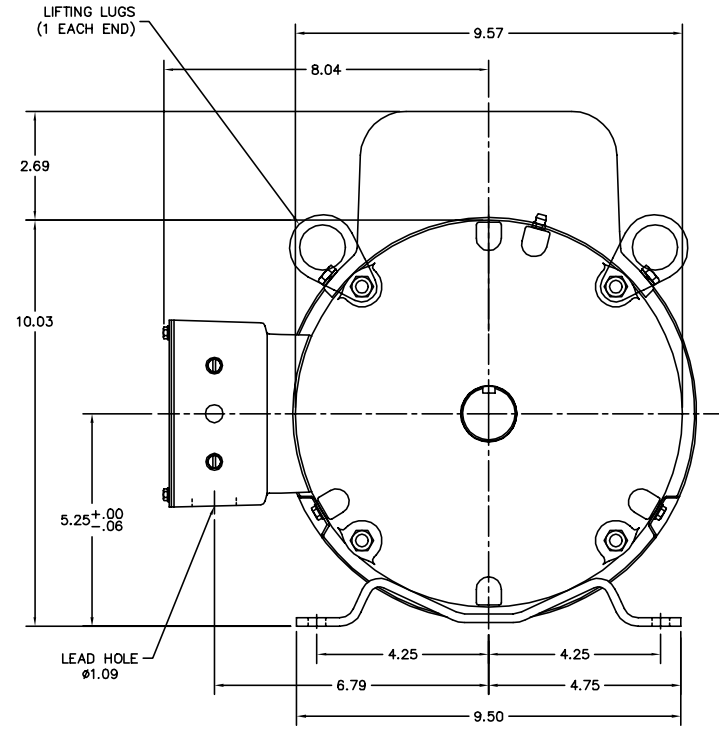
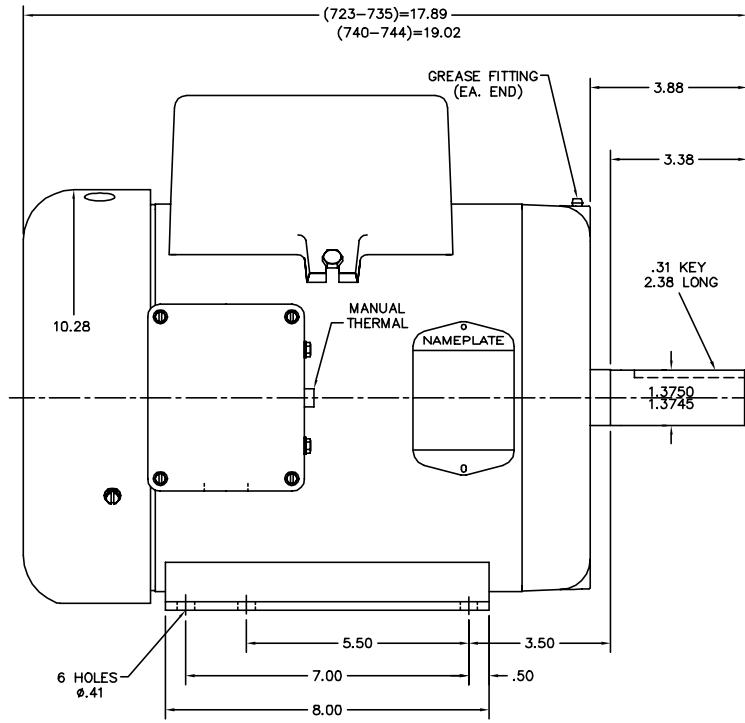
General Characteristics			
Full Load Torque:	15.0 LB-FT	Start Configuration:	DOL
No-Load Current:	6.5 Amps	Break-Down Torque:	40.0 LB-FT
Line-line Res. @ 25°C.:	0.464 Ohms A Ph / 2.17 Ohms B Ph	Pull-Up Torque:	28.0 LB-FT
Temp. Rise @ Rated Load:	69 C	Locked-Rotor Torque:	50.0 LB-FT
Temp. Rise @ S.F. Load:		Starting Current:	155.0 Amps

Load Characteristics							
% of Rated Load	25	50	75	100	125	150	S.F.
Power Factor:	68.0	83.0	89.0	91.0	91.0	90.0	0.0
Efficiency:	69.2	80.0	82.9	83.0	81.5	78.6	0.0
Speed:	1787.0	1775.0	1761.0	1745.0	1727.0	1702.0	0.0
Line Amperes:	8.6	12.2	16.5	21.6	27.3	34.3	0.0

Performance Graph at 230V, 60Hz, 5.0HP Typical performance - Not guaranteed values



37LYE039



37LYE039

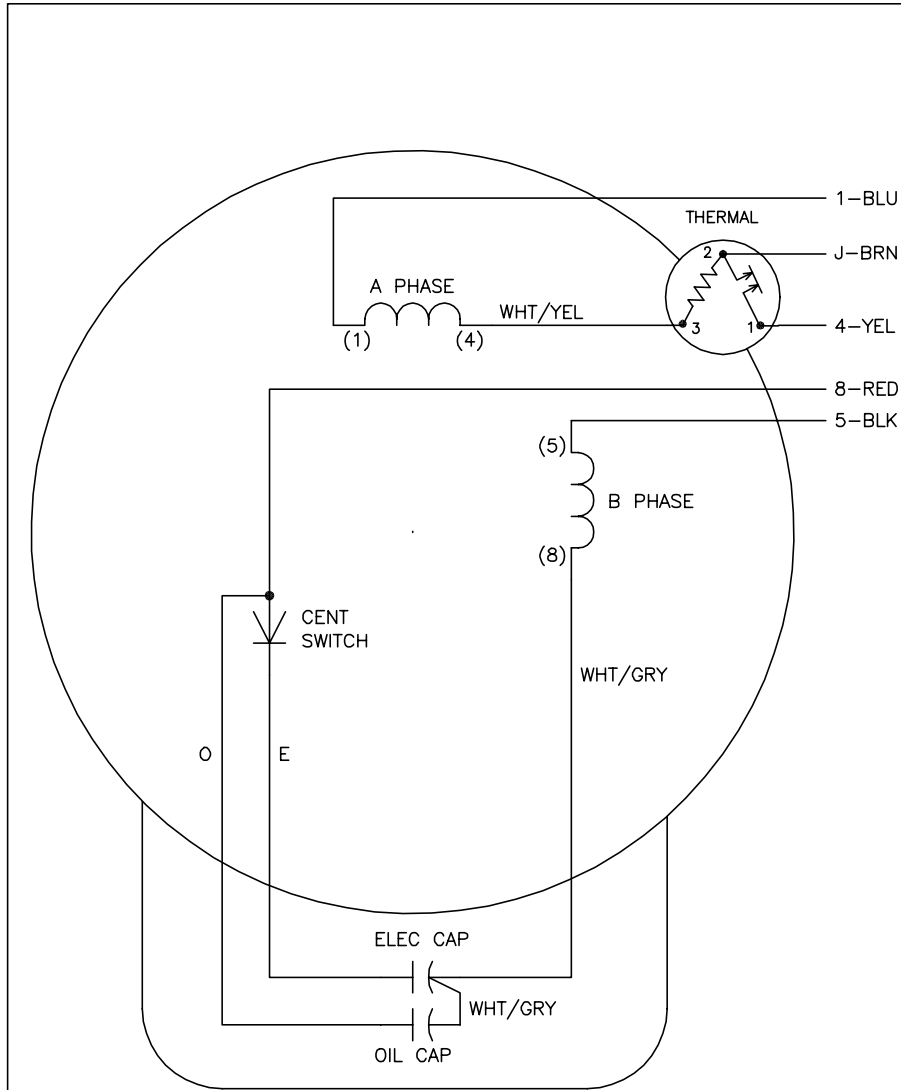
CUSTOMER IS RESPONSIBLE FOR DETERMINING THAT MOTOR PERFORMANCE IS SUITABLE IN THE APPLICATION.

REV. DESC: ADD LIFTING LUGS			
REV. LTR: E	BY: JF	REVISED: 08:38:48 05/20/2004	TDR: 327402
FILE: AAA00007744		REF: 37LYE039	
MTL: -			

BALDOR ELECTRIC Co.

STD HORZ 213-5T TEFC 37LC W/1.25 BE MANUAL THERMAL

CD0002A02



	LINE A	LINE B	JOIN
STD	1,8	4	J,5
OPP	1,5	4	J,8

NOTES:

1. STANDARD ROTATION IS CCW FACING END OPPOSITE SHAFT EXTENSION.
2. MULTIPLE CAPACITORS ARE CONNECTED IN PARALLEL UNLESS OTHERWISE SPECIFIED.
3. LEAD COLORS ARE OPTIONAL. LEADS MUST ALWAYS BE NUMBERED AS SHOWN.

REV. DESC: REMOVE 2-TERMINAL THERMAL DETAIL, SEE CD0002A04			
REV. LTR: D	VERSION: 01	TDR: 000000360649	
CD0002A02	FILE: \AAA\00007\520	REVISED: 17:11:40 04/15/2005	
	MTL: -	BY: ENJOEPO	

BALDOR ELECTRIC Co.

TYPE LC, SV, REV, THERMAL, 5 LEADS

CD0002A02