

# **BALDOR® • RELIANCE**

## **Product Information Packet**

### **L5006A**

**.75HP,3450RPM,1PH,60HZ,56,X3516L,XPFC,F1**

Copyright © All product information within this document is subject to Baldor Electric Company copyright © protection, unless otherwise noted.

Part Detail							
Revision:	AQ	Status:	PRD/A	Change #:		Proprietary:	No
Type:	AC	Prod. Type:	3516L	Elec. Spec:	35WG0764	CD Diagram:	
Enclosure:	XPFC	Mfg Plant:		Mech. Spec:	35E353	Layout:	
Frame:	56	Mounting:	F1	Poles:	02	Created Date:	06-27-2007
Base:	RG	Rotation:	R	Insulation:	B	Eff. Date:	11-05-2012
Leads:	6#18,1#14 #4TH	Literature:		Elec. Diagram:		Replaced By:	

**Nameplate NP0016XPSSL**

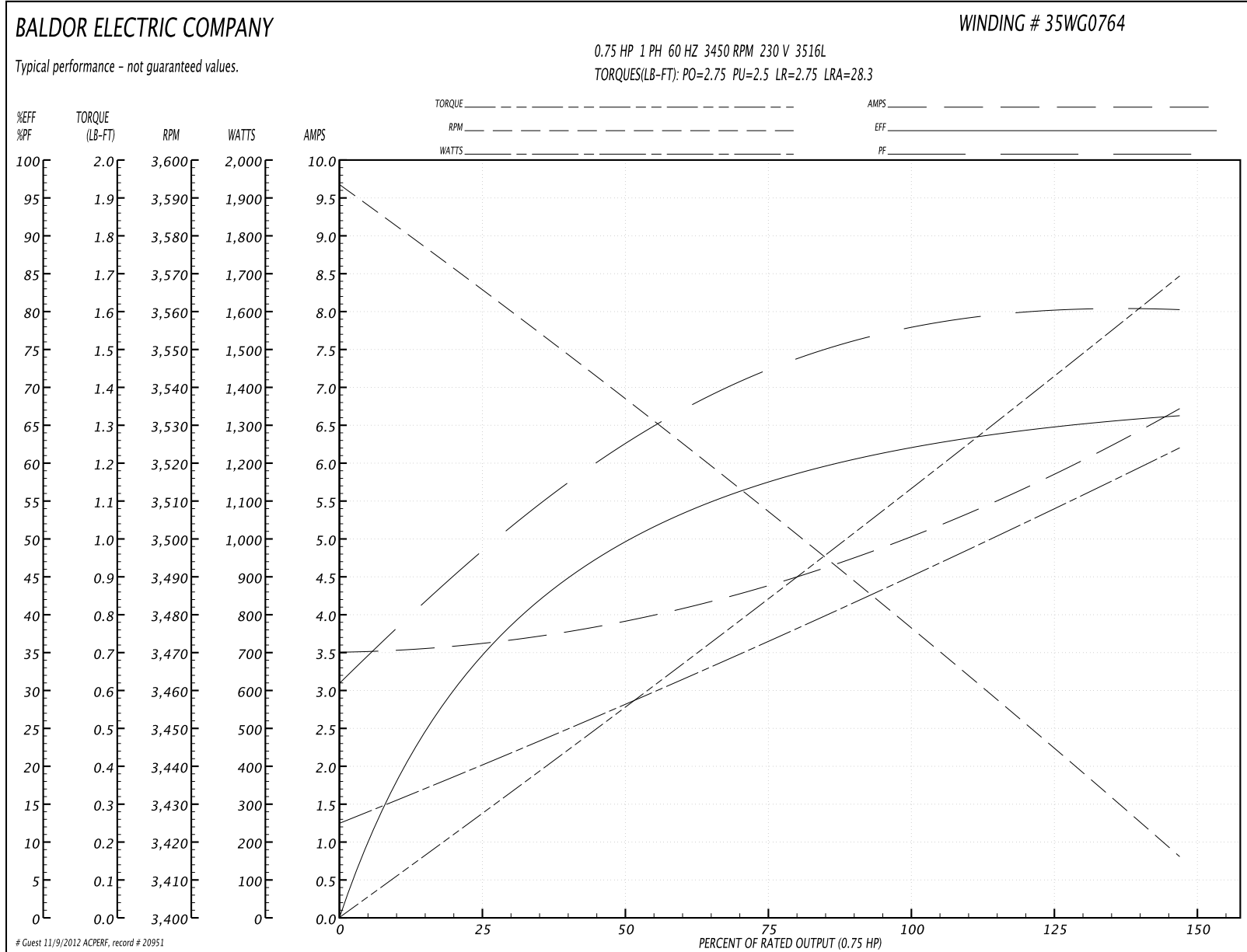
NO.		CC	
SER.			
SPEC.	35E353-764		
CAT.NO.	L5006A		
HP	.75	T. CODE	T4
VOLTS	115/230		
AMPS	9.8/4.9		
RPM	3450		
HZ	60	PH	1 CL B
SER.F.	1.00	DES	N CODE K
RATING	40C AMB-CONT		
FRAME	56	NEMA-NOM-EFF	62
USABLE AT 208V		PF	75
BLANK			

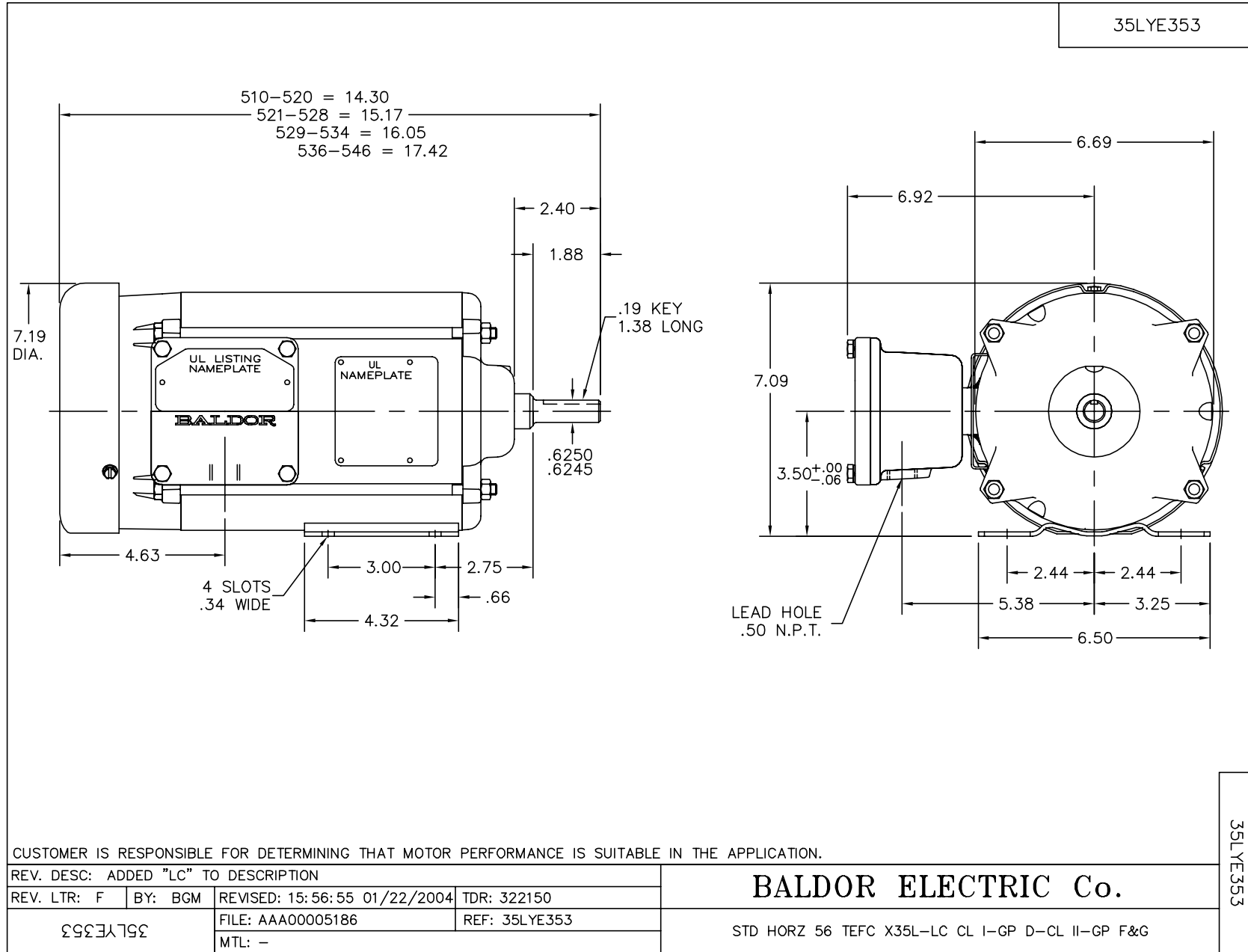
Parts List		
Part Number	Description	Quantity
SA023891	SA 35E353-764	1.000 EA
RA019941	RA 35E353-764	1.000 EA
TPMRJ30AV	THERMAL 1PH .75 AUT 105CSTOCK FOR WESTVI	1.000 EA
EC1189A02SP	61B2D120189NNBA ELEC CAP, 189-227MFD, 12	1.000 EA
EC1270A02SP	ELEC CAP, 270-324 MFD, 125V, 1.48D X 3.	1.000 EA
35CB3001A01SP	EXPL CONDUIT BOX, MACH, 1/2" PIPE TAP LE	1.000 EA
11XW1032G06	10-32 X .38, TAPTITE II, HEX WSHR SLTD U	1.000 EA
HW3001B01	003SS CUP WASHER, FOR #8 SCREW	1.000 EA
35EP3700A01SP	FR ENDPLATE, XPFC	1.000 EA
51XW0832A07	8-32 X .44, TAPTITE II, HEX WSHR SLTD SE	2.000 EA
HW5100A03SP	WAVY WASHER (W1543-017)	1.000 EA
35EP3701A01	PU ENDPLATE, XPFC - 205 BRG	1.000 EA
XY3118A12	5/16-18 HEX NUT DIRECTIONAL SERRATION	4.000 EA
35FN3002A05SP	EXFN, PLASTIC, 6.376 OD, .638 ID	1.000 EA
51XB1214A16	12-14X1.00 HXWSSLD SERTYB	1.000 EA
35FH4005A01SP	IEC FH NO GREASER W/AUTOPHORETIC PRIMER	1.000 EA
51XW1032A06	10-32 X .38, TAPTITE II, HEX WSHR SLTD S	3.000 EA
35CB3500A01SP	CONDUIT BOX LID, MACH	1.000 EA
51XN2520A16	SCREW, HEX WS SLT, ZN, 1/4-20 X 1.00	4.000 EA
HW2501D13SP	KEY, 3/16 SQ X 1.375	1.000 EA
HA7000A04	KEY RETAINER 0.625 DIA SHAFTS	1.000 EA
85XU0407S04	4X1/4 U DRIVE PIN STAINLESS	6.000 EA
WD1000A03	41531 AMP FLG.TERM,4M/REEL(2.5MIL)	8.000 EA
WD1000A04	1-480307-1AMP REC(200/PKG)ACC#081693-10-	8.000 EA

Parts List (continued)		
Part Number	Description	Quantity
HA6003A52	CLAMP, CAPACITOR, WHITE ZINC PLATED	2.000 EA
51XW0832A07	8-32 X .44, TAPTITE II, HEX WSHR SLTD SE	2.000 EA
MJ1000A75	GREASE, POLYREX EM EXXON	0.050 LB
MG1025Z20	ACTIVATOR WILKOFAS 060.32	0.010 GA
MG1025G29	PAINT 789.205 DARK GRAY METALLIC (USE W/	0.017 GA
NP0018	NP- XP CONDUIT BOX DO NOT MAKE SELLABLE	1.000 EA
NS2500A06	INSULATOR,AUTO THER PROT,W/PSA ON 1 SIDE	1.000 EA
HA6001A01	THERMAL RETAINER (PLATED)	1.000 EA
12XF0632A06	6-32X3/8 TY F HEX HD SLT	2.000 EA
HA3104A06	THRUBOLT 5/16-18 X 8.50 OHIO ROD	4.000 EA
SP5055A11	MODEL 35 TYPE L STATIONARY SWITCH WITH L	1.000 EA
LB1118	LABEL,WARNING (ROLL LABEL)	1.000 EA
LB1125C01	STD (STOCK) CARTON LABEL BALDOR WITH FLA	1.000 EA
LC0008	1PH,DV,7-LEAD,THERMAL,CONNECTION DIAGRAM	1.000 EA
NP0016XPSL	SS XP UL CSA CC CL-I GP-D CL-II GP-F&G	1.000 EA
36PA1000	PACK GROUP W/LB5001	1.000 EA

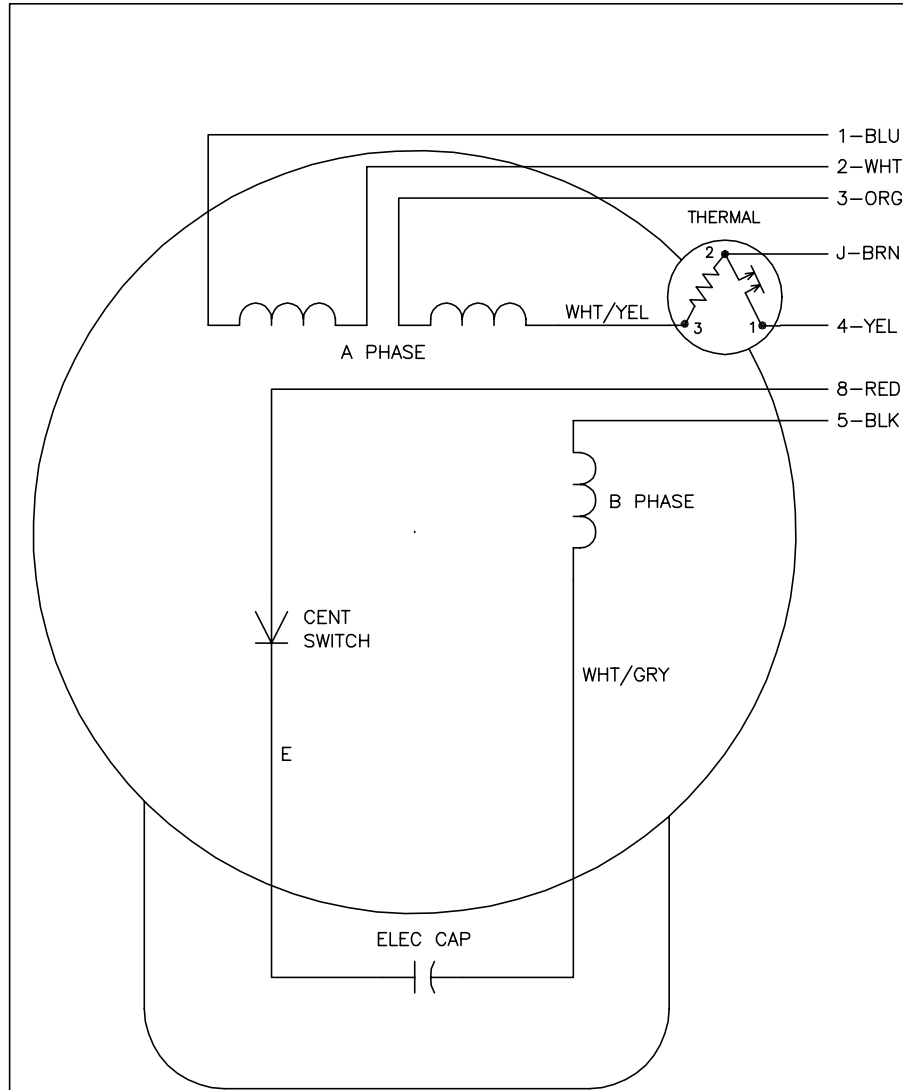
Performance Data at 230V, 60Hz, 0.75HP (Typical performance - Not guaranteed values)							
General Characteristics							
Full Load Torque:	1.13 LB-FT			Start Configuration:	DOL		
No-Load Current:	3.5 Amps			Break-Down Torque:	2.75 LB-FT		
Line-line Res. @ 25°C.:	3.29 Ohms A Ph / 2.47 Ohms B Ph			Pull-Up Torque:	2.5 LB-FT		
Temp. Rise @ Rated Load:				Locked-Rotor Torque:	2.75 LB-FT		
Temp. Rise @ S.F. Load:				Starting Current:	28.3 Amps		
Load Characteristics							
% of Rated Load	25	50	75	100	125	150	S.F.
Power Factor:	45.0	60.0	70.0	75.0	80.0	85.0	0.0
Efficiency:	34.0	50.0	58.0	62.0	65.0	66.0	0.0
Speed:	3559.0	3533.0	3510.0	3480.0	3447.0	3414.0	0.0
Line Amperes:	3.6	4.0	4.4	4.9	5.9	6.7	0.0

Performance Graph at 230V, 60Hz, 0.75HP Typical performance - Not guaranteed values





CD0008



	LINE A	LINE B	JOIN	JOIN
HIGH STD	1	4	2,3,8	J,5
HIGH OPP	1	4	2,3,5	J,8
LOW STD	1,3,8	4	-	2,J,5
LOW OPP	1,3,5	4	-	2,J,8

NOTES:

1. STANDARD ROTATION IS CCW FACING END OPPOSITE SHAFT EXTENSION.
2. MULTIPLE CAPACITORS ARE CONNECTED IN PARALLEL UNLESS OTHERWISE SPECIFIED.
3. LEAD COLORS ARE OPTIONAL. LEADS MUST ALWAYS BE NUMBERED AS SHOWN.

REV. DESC: REMOVE 2-TERMINAL THERMAL DETAIL, SEE CD0008A02		
REV. LTR: F	VERSION: 01	TDR: 000000360649
80000D	FILE: \AAA\00007\408	REVISED: 10:56:54 04/18/2005
	MTL: -	BY: ENJOEPO

**BALDOR ELECTRIC Co.**

TYPE L, DV, REV, THERMAL, 7 LEADS

CD0008