

BALDOR® • RELIANCE

Product Information Packet

LPL75

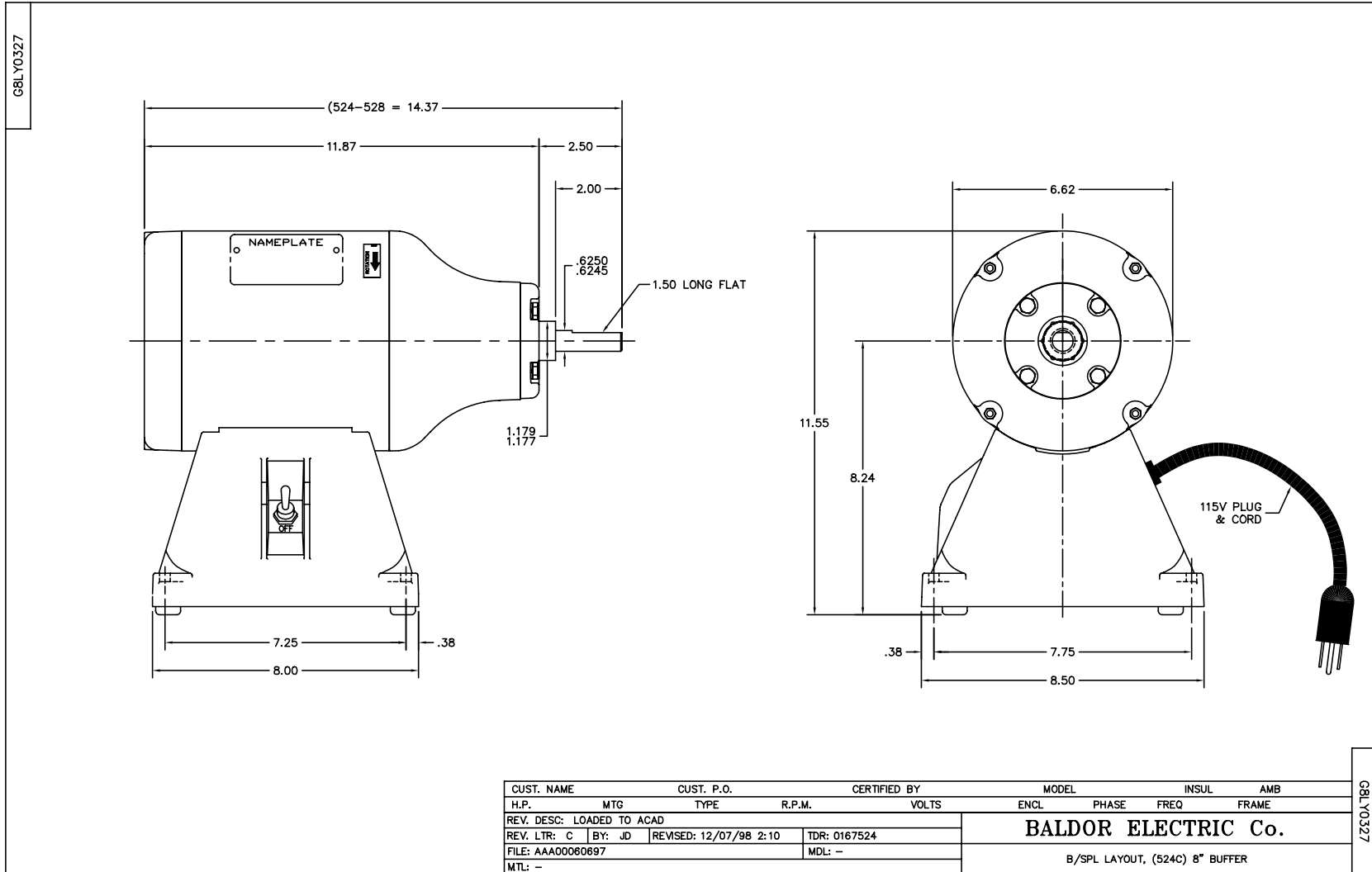
.75HP,3600RPM,1PH,60HZ,3524C,BUFF

Copyright © All product information within this document is subject to Baldor Electric Company copyright © protection, unless otherwise noted.

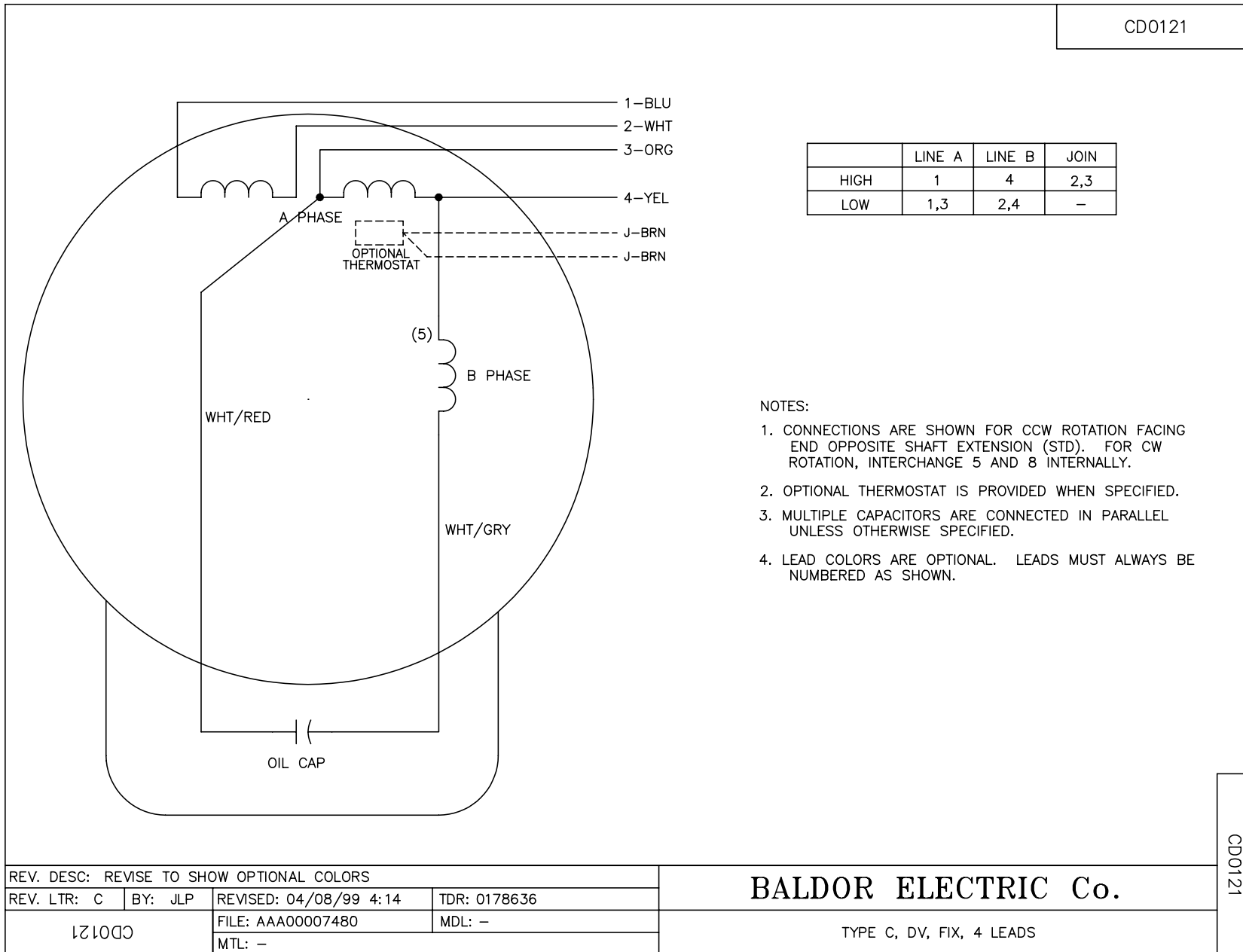
Part Detail							
Revision:	AP	Status:	PRD/A	Change #:		Proprietary:	No
Type:	AC	Prod. Type:	3524C	Elec. Spec:	G8WG0011	CD Diagram:	
Enclosure:	TENV	Mfg Plant:		Mech. Spec:	G8-327	Layout:	
Frame:		Mounting:	F1	Poles:	02	Created Date:	08-08-2007
Base:	RG	Rotation:	FOS	Insulation:	B	Eff. Date:	09-30-2011
Leads:	4#18	Literature:		Elec. Diagram:		Replaced By:	
Nameplate NP1625							
CAT.NO.	LPL75						
HP	.75	VOLTS			115/230		
PHASE	1	AMPS			4.8/2.4		
HZ	60	RPM			3600		
SER.NO							
SPEC.	G8-327-11						

Parts List		
Part Number	Description	Quantity
SA037669	SA G8-327-11	1.000 EA
RA033694	RA G8-327-11	1.000 EA
OC3016F12SP	CYL OIL CAP 16MFD/370V	1.000 EA
G8BA3000	G8 & G10 BASE	1.000 EA
19XX2510A14	1/4-10 X 7/8 HEX HD PLASTITE SCREW	4.000 EA
HW1000A25	1/4 SAE FLAT WASHER (FS)	4.000 EA
HW1003A50	LOCKWASHER,1/2",EXT.TOOTHZINC PLATED	1.000 EA
51XN1032A04	10-32 X 0.25 HX WS SL SR	2.000 EA
XY1032A01	10/32 SQUARE NUT	2.000 EA
11XW1032G06	10-32 X .38, TAPTITE II, HEX WSHR SLTD U	1.000 EA
HW3001B01	003SS CUP WASHER, FOR #8 SCREW	1.000 EA
LD5001A02	CORD & PLUG ASSY 18-3 SJT .33 DIA. 10 AM	1.000 EA
WD4102A01	SR-6L-1 HEYCO STRN RELIEF OR 23MPO6L10 M	1.000 EA
G8CB4500A02	G8-272 BASE COVER,STPD X PLATED	1.000 EA
51XW0832A07	8-32 X .44, TAPTITE II, HEX WSHR SLTD SE	2.000 EA
RM1005A01SP	BUMPER- #2089 (R-R CO)	4.000 EA
15XF1032A10	10-32X5/8 PIN HD PHL TY FSEE JT	4.000 EA
35EP3100A04AR	STD FR EP-TENV-35L OR M--203 BRG (ALT. R	1.000 EA
HW5100A06	W2420-025 WVY WSHR (WB)	1.000 EA
HW5100A03SP	WAVY WASHER (W1543-017)	1.000 EA
HA1025A03	FELT WSH 2.1875 OD X 1.170 ID X .25 #321	1.000 EA
G8EP3900A01SP	ENDPLATE, MACH	1.000 EA
19XW2520A16	SCREW,1/4-20X1 TAPTITE-II OR ROLOC 91	4.000 EA
HA3100A28	THRUBOLT 10-32 X 8.187	4.000 EA

Parts List (continued)		
Part Number	Description	Quantity
XY1032A02	10-32 HEX NUT DIRECTIONAL SERRATION	4.000 EA
SP9000SP	80600BJ A-H OR 1520237-2 TYCO;2PST,125/2	1.000 EA
NS2501A01	INSULATOR, CAPACITOR	1.000 EA
HA6053A01ZP	CLAMP, CAPACITOR 2" DIA, WHITE ZINC PLAT	1.000 EA
MJ1000A75	GREASE, POLYREX EM EXXON	0.050 LB
HA1000A34	DR2463A .02 BRG GUARD B N	2.000 EA
85XU0407A04	#4-7 X 1/4 DRIVE PIN	2.000 EA
LB1009	LABEL,ROTATION DIRECTION (ON ROLLS)	1.000 EA
LB1076	LABEL, "ON" AND "OFF"	1.000 EA
LB1056	LABEL,TIME DELAY FUSE,(POLY-STIK-S)	1.000 EA
LB1091	LABEL, WARNING BUFFERS	1.000 EA
LC0279A01	CONNECTION LABEL X	1.000 EA
MG1000G18	PAINT, 189-905 SILVER HAMR	0.017 GA
LB1119	WARNING LABEL	1.000 EA
LB1125C01	STD (STOCK) CARTON LABEL BALDOR WITH FLA	1.000 EA
NP1625	BUFFER, ALUM, UL	1.000 EA
36PA1001	PACKAGING GROUP	1.000 EA
MN906	Baldor Buffer 9/10	1.000 EA



CD0121



NOTES:

1. CONNECTIONS ARE SHOWN FOR CCW ROTATION FACING END OPPOSITE SHAFT EXTENSION (STD). FOR CW ROTATION, INTERCHANGE 5 AND 8 INTERNALLY.
2. OPTIONAL THERMOSTAT IS PROVIDED WHEN SPECIFIED.
3. MULTIPLE CAPACITORS ARE CONNECTED IN PARALLEL UNLESS OTHERWISE SPECIFIED.
4. LEAD COLORS ARE OPTIONAL. LEADS MUST ALWAYS BE NUMBERED AS SHOWN.

REV. DESC: REVISE TO SHOW OPTIONAL COLORS			
REV. LTR: C	BY: JLP	REVISED: 04/08/99 4:14	TDR: 0178636
CD0121		FILE: AAA00007480	MDL: -
		MTL: -	

BALDOR ELECTRIC Co.

TYPE C, DV, FIX, 4 LEADS

CD0121