

BALDOR® • RELIANCE

Product Information Packet

M1223T

3/1.3HP, 1725/1140RPM, 3PH, 60HZ, 184T, 3634M

Copyright © All product information within this document is subject to Baldor Electric Company copyright © protection, unless otherwise noted.

Part Detail							
Revision:	U	Status:	PRD/A	Change #:		Proprietary:	No
Type:	AC	Prod. Type:	3634M	Elec. Spec:	36WGY048	CD Diagram:	
Enclosure:	OPEN	Mfg Plant:		Mech. Spec:	36B001	Layout:	
Frame:	184T	Mounting:	F1	Poles:	04/06	Created Date:	
Base:	RG	Rotation:	R	Insulation:	B	Eff. Date:	06-22-2009
Leads:	6#16	Literature:		Elec. Diagram:		Replaced By:	

Nameplate NP1256L									
CAT.NO.	M1223T								
SPEC.	36B01Y48								
HP	3-1.3								
VOLTS	460								
AMP	4/2.6								
RPM	1725/1140								
FRAME	184T	HZ			60	PH	3		
SER.F.	1.15	CODE			G	DES	B	CLASS	B
NEMA-NOM-EFF	PF								
RATING	40C AMB-CONT								
CC	USABLE AT 208V			N/A					
DE	6206	ODE			6205				
ENCL	OPEN	SN							

Parts List		
Part Number	Description	Quantity
SA034238	SA 36B01Y48	1.000 EA
RA030266	RA 36B01Y48	1.000 EA
36CB3004	36 CB CASTING W/1.09 DIA LEAD HOLE @ 6:0	1.000 EA
51XB1016A08	10-16X 1/2HXWSSLD SERTYB	2.000 EA
11XW1032G06	10-32 X .38, TAPTITE II, HEX WSHR SLTD U	1.000 EA
HW3001B01	003SS CUP WASHER, FOR #8 SCREW	1.000 EA
36EP3200A01SP	FR ENDPLATE, MACH	1.000 EA
HW4500A01	1641B(ALEMITE)400 UNIV, GREASE FITT	1.000 EA
HW5100A05	WVY WSHR F/205 & 304 BRGS	1.000 EA
36EP3201A01	PU ENDPLATE, MACH 182-4T	1.000 EA
HW4500A01	1641B(ALEMITE)400 UNIV, GREASE FITT	1.000 EA
XY2520A12	1/4-20 HEX NUT, DIRECTIONAL SERRATIONS	4.000 EA
36CB4516	36 LIPPED CB LID	1.000 EA
51XW0832A07	8-32 X .44, TAPTITE II, HEX WSHR SLTD SE	4.000 EA
HW2501E16	3KEY, 1/4 SQ X 1.750	1.000 EA
HA7000A02	KEY RETAINER RING, 1 1/8 DIA, 1 3/8 DIA	1.000 EA
85XU0407S04	4X1/4 U DRIVE PIN STAINLESS	2.000 EA
MJ1000A75	GREASE, POLYREX EM EXXON	0.050 LB
MG1000G27	PAINT- S9282E CHARCOAL GREY	0.022 GA
HA3101A25	THRUBOLT 1/4-20 X 11.000 OHIO ROD	4.000 EA
LB1119	WARNING LABEL	1.000 EA
LB1125C01	STD (STOCK) CARTON LABEL BALDOR WITH FLA	1.000 EA
LC0013	CONNECTION LABEL	1.000 EA
NP1256L	ALUM UL CSA CC	1.000 EA

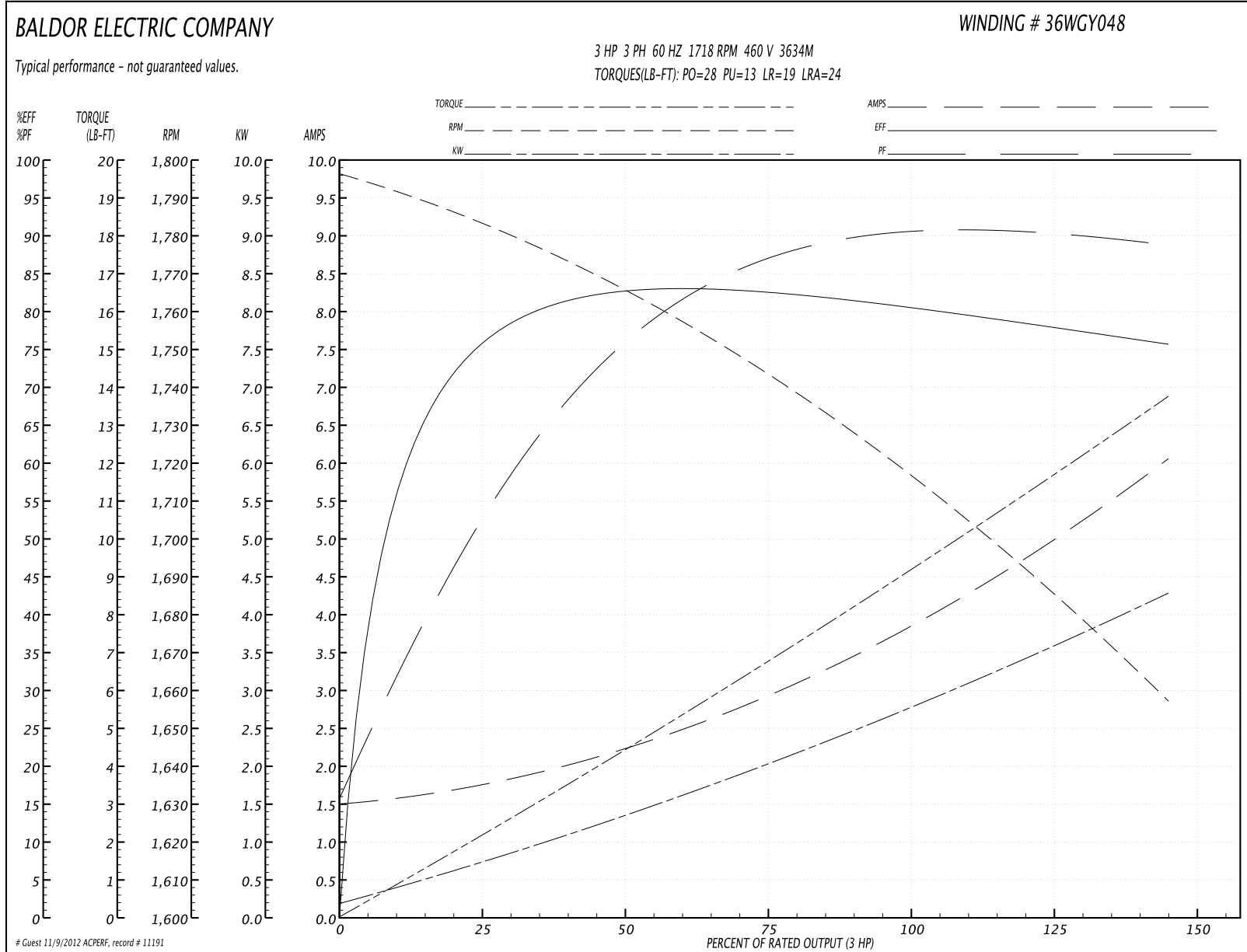
Parts List (continued)		
Part Number	Description	Quantity
36PA1000	PACK GROUP W/LB5001	1.000 EA

Accessories		
Part Number	Description	Multiplier
36-3403	C FACE KIT	A8
36EP1405A09SP	D-FLANGE KIT	A8

Performance Data at 460V, 60Hz, 3.0HP (Typical performance - Not guaranteed values)

General Characteristics							
Full Load Torque:	9.2 LB-FT			Start Configuration:	DOL		
No-Load Current:	1.5 Amps			Break-Down Torque:	28.0 LB-FT		
Line-line Res. @ 25°C.:	9.85 Ohms A Ph / 0.0 Ohms B Ph			Pull-Up Torque:	13.0 LB-FT		
Temp. Rise @ Rated Load:	52 C			Locked-Rotor Torque:	19.0 LB-FT		
Temp. Rise @ S.F. Load:	68 C			Starting Current:	24.0 Amps		
Load Characteristics							
% of Rated Load	25	50	75	100	125	150	S.F.
Power Factor:	54.0	75.0	85.0	90.0	92.0	92.0	91.0
Efficiency:	74.3	81.5	82.4	81.2	78.7	75.2	79.7
Speed:	1781.0	1763.0	1742.0	1718.0	1690.0	1655.0	1701.0
Line Amperes:	1.75	2.3	3.0	3.85	4.85	6.1	4.45

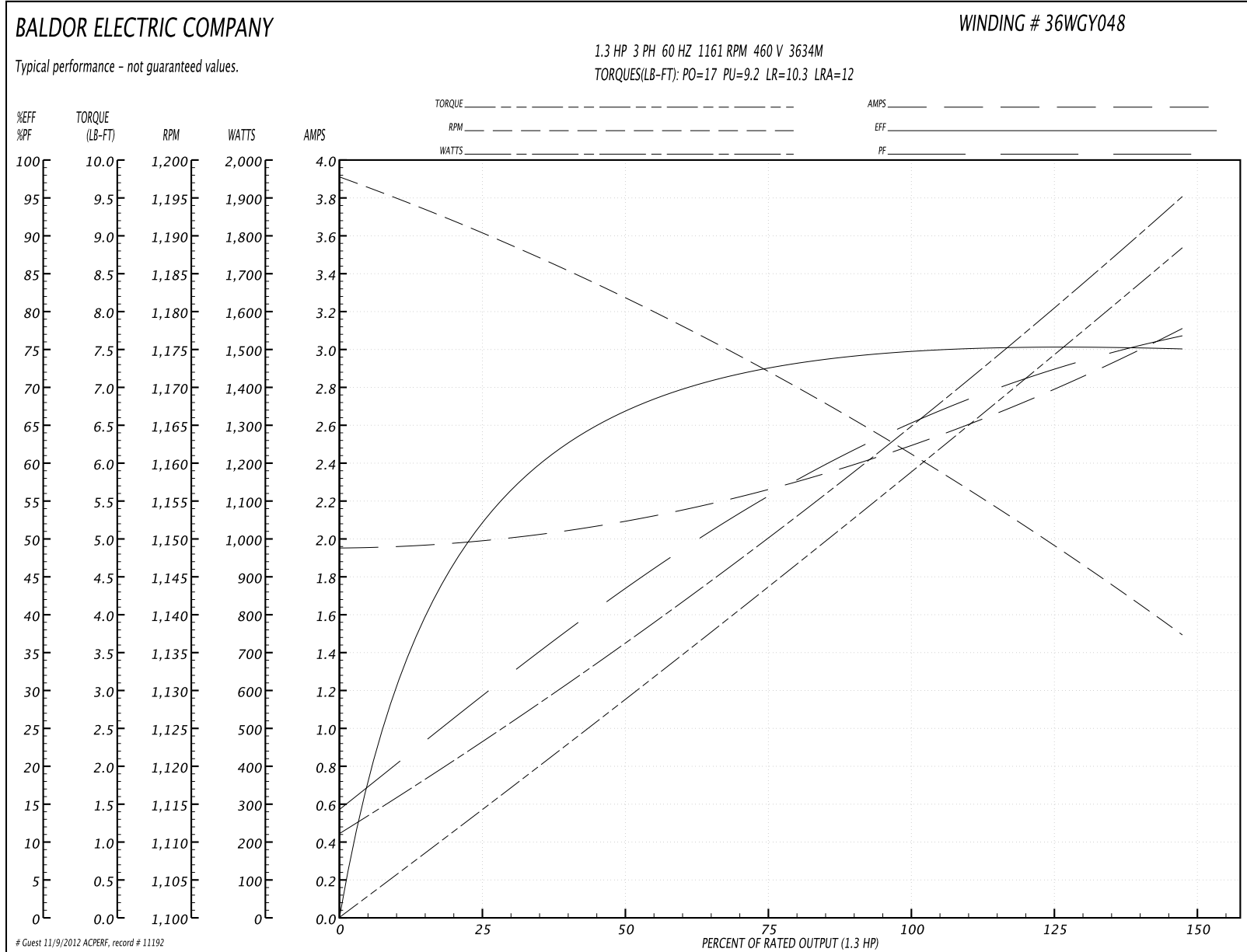
Performance Graph at 460V, 60Hz, 3.0HP Typical performance - Not guaranteed values

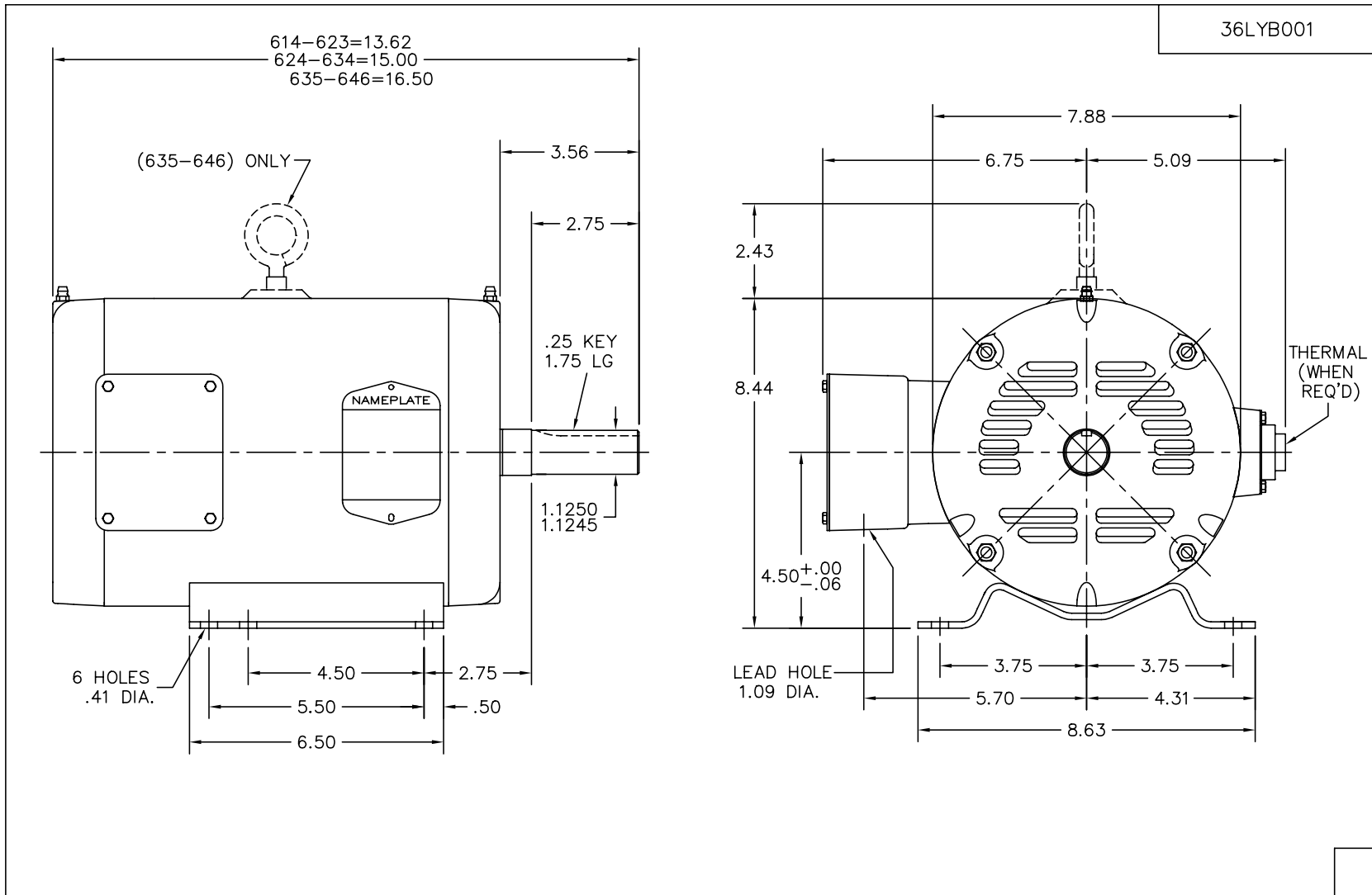


Performance Data at 460V, 60Hz, 1.3HP (Typical performance - Not guaranteed values)

General Characteristics							
Full Load Torque:	5.9 LB-FT			Start Configuration:	DOL		
No-Load Current:	1.95 Amps			Break-Down Torque:	17.0 LB-FT		
Line-line Res. @ 25°C.:	17.7 Ohms A Ph / 0.0 Ohms B Ph			Pull-Up Torque:	9.2 LB-FT		
Temp. Rise @ Rated Load:	41 C			Locked-Rotor Torque:	10.3 LB-FT		
Temp. Rise @ S.F. Load:	53 C			Starting Current:	12.0 Amps		
Load Characteristics							
% of Rated Load	25	50	75	100	125	150	S.F.
Power Factor:	29.0	43.0	55.0	65.0	72.0	78.0	69.0
Efficiency:	52.3	66.9	72.7	75.0	75.5	74.9	75.3
Speed:	1190.0	1181.0	1172.0	1161.0	1150.0	1137.0	1154.0
Line Amperes:	2.0	2.1	2.25	2.5	2.8	3.1	2.7

Performance Graph at 460V, 60Hz, 1.3HP Typical performance - Not guaranteed values





CUST. NAME		CUST. P.O.		CERTIFIED BY		MODEL		INSUL		AMB							
H.P.		MTG		TYPE		R.P.M.		VOLTS		ENCL		PHASE		FREQ		FRAME	
REV. DESC: CHG'D TO HAVE NEW NEC CONDUIT BOX												BALDOR ELECTRIC Co. STANDARD HORZ NEMA 182-4T OPEN 36M					
REV. LTR: M		BY: JD		REVISED: 05/19/99 3:45				TDR: 0181963									
100Я 195				FILE: AAA00002559				MDL: -									
MTL: -																	

36LYB001

