

BALDOR® • RELIANCE

Product Information Packet

M1721T

1.5/.67HP, 1740/1165RPM, 3PH, 60HZ, 182T, 352

Copyright © All product information within this document is subject to Baldor Electric Company copyright © protection, unless otherwise noted.

Part Detail							
Revision:	J	Status:	PRD/A	Change #:		Proprietary:	No
Type:	AC	Prod. Type:	3528M	Elec. Spec:	35WGP586	CD Diagram:	
Enclosure:	TEFC	Mfg Plant:		Mech. Spec:	35L100	Layout:	
Frame:	182T	Mounting:	F1	Poles:	04/06	Created Date:	05-01-2007
Base:	RG	Rotation:	R	Insulation:	F	Eff. Date:	07-18-2011
Leads:	6#18	Literature:		Elec. Diagram:		Replaced By:	

Nameplate NP1256L									
CAT.NO.	M1721T								
SPEC.	35L100P586								
HP	1.5/.67								
VOLTS	460								
AMP	2.2/1.36								
RPM	1740/1165								
FRAME	182T	HZ	60	PH	3				
SER.F.	1.15	CODE	K	DES	-	CLASS	F		
NEMA-NOM-EFF			PF						
RATING	40C AMB-CONT								
CC			USABLE AT 208V						
DE	6206	ODE	6203						
ENCL	TEFC	SN							

Parts List		
Part Number	Description	Quantity
SA156939	SA 35L100P586	1.000 EA
RA145641	RA 35L100P586	1.000 EA
35FN3002A05SP	EXFN, PLASTIC, 6.376 OD, .638 ID	1.000 EA
NS2512A01	INSULATOR, CONDUIT BOX X	1.000 EA
35CB3009	35 CB CASTING W/1.09 DIA. LEAD HOLE @ 6:	1.000 EA
36GS1000SP	GASKET-CONDUIT BOX, .06 THICK #SV-330 LE	1.000 EA
51XB1016A07	10-16 X 7/16 HXWSSLD SERTYB	2.000 EA
11XW1032G06	10-32 X .38, TAPTITE II, HEX WSHR SLTD U	1.000 EA
35EP3100M01	FREP TEFC 203 BRG W/GRSR (RAISED FH PADS	1.000 EA
HW4500A01	1641B(ALEMITE)400 UNIV, GREASE FITT	1.000 EA
HW5100A03SP	WAVY WASHER (W1543-017)	1.000 EA
35EP3113A01	PU ENDPLATE, MACH W/206 BRG	1.000 EA
HW4500A01	1641B(ALEMITE)400 UNIV, GREASE FITT	1.000 EA
XY1032A02	10-32 HEX NUT DIRECTIONAL SERRATION	4.000 EA
35FH4005A84SP	IEC FH W/GRSR, NO DIMPLES W/AUTOPHERETIC	1.000 EA
51XW1032A06	10-32 X .38, TAPTITE II, HEX WSHR SLTD S	3.000 EA
35CB4521GX	CONDUIT BOX LID KIT	1.000 EA
51XW0832A07	8-32 X .44, TAPTITE II, HEX WSHR SLTD SE	4.000 EA
HW2501E16	3KEY, 1/4 SQ X 1.750	1.000 EA
HA7000A02	KEY RETAINER RING, 1 1/8 DIA, 1 3/8 DIA	1.000 EA
85XU0407S04	4X1/4 U DRIVE PIN STAINLESS	2.000 EA
MJ1000A75	GREASE, POLYREX EM EXXON	0.050 LB
51XB1214A16	12-14X1.00 HXWSSLD SERTYB	1.000 EA
MG1000G27	PAINT- S9282E CHARCOAL GREY	0.017 GA

Parts List (continued)		
Part Number	Description	Quantity
HA3100A20	THRUBOLT 10-32 X 9.812	4.000 EA
LB1119	WARNING LABEL	1.000 EA
LB1125C01	STD (STOCK) CARTON LABEL BALDOR WITH FLA	1.000 EA
LC0013	CONNECTION LABEL	1.000 EA
NP1256L	ALUM UL CSA CC	1.000 EA
36PA1000	PACK GROUP W/LB5001	1.000 EA

Accessories		
Part Number	Description	Multiplier
36-3301	C FACE KIT	A8
36EP1304A62SP	FLANGE MTD ENDPLATE 182-4TD -ENCL (LESS	A8

Performance Data at 460V, 60Hz, 1.5HP (Typical performance - Not guaranteed values)

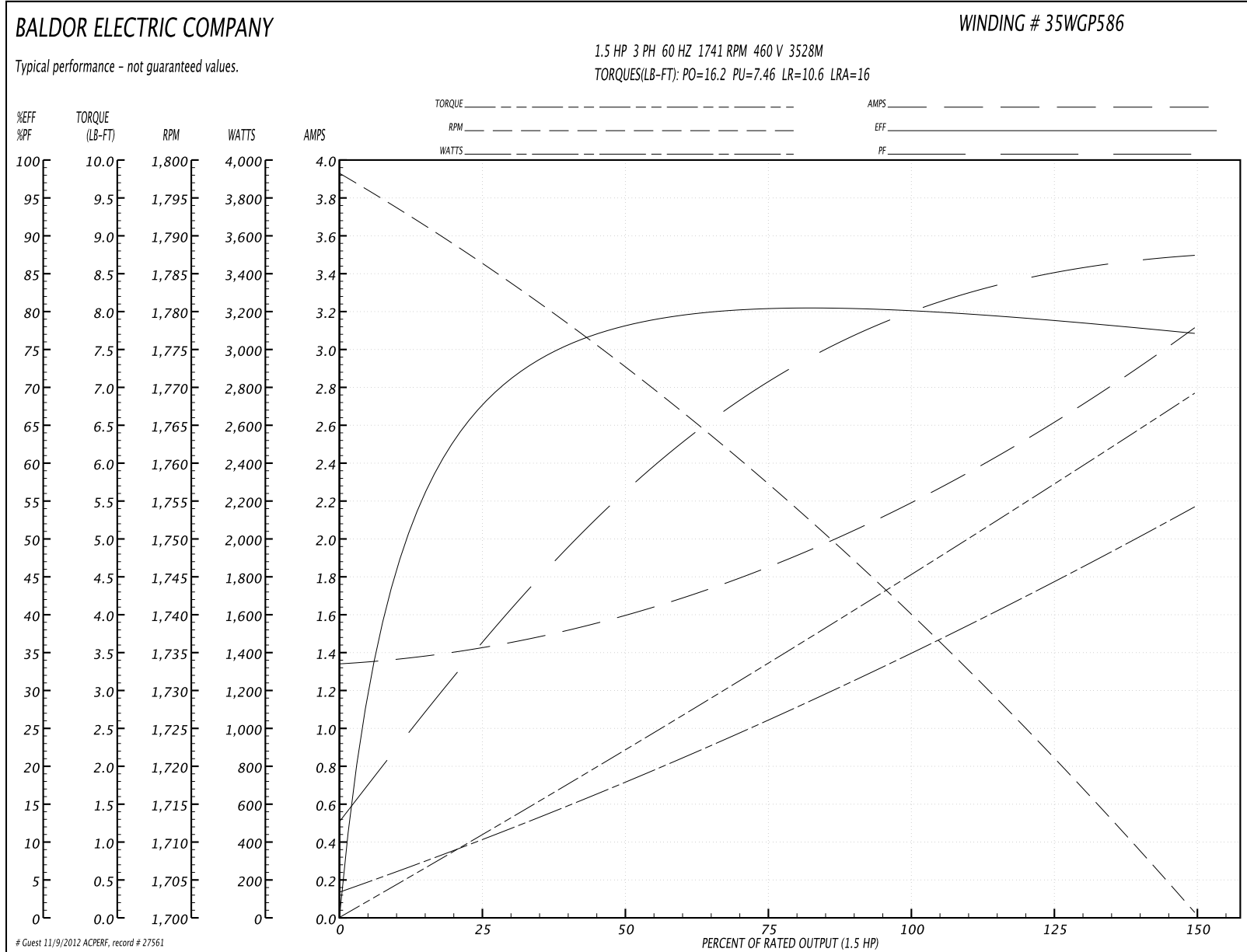
General Characteristics

Full Load Torque:	4.52 LB-FT	Start Configuration:	DOL
No-Load Current:	1.35 Amps	Break-Down Torque:	16.2 LB-FT
Line-line Res. @ 25°C.:	16.1 Ohms A Ph / 0.0 Ohms B Ph	Pull-Up Torque:	7.46 LB-FT
Temp. Rise @ Rated Load:	68 C	Locked-Rotor Torque:	10.6 LB-FT
Temp. Rise @ S.F. Load:	85 C	Starting Current:	16.0 Amps

Load Characteristics

% of Rated Load	25	50	75	100	125	150	S.F.
Power Factor:	37.0	57.0	70.0	79.0	85.0	88.0	83.0
Efficiency:	66.8	77.3	80.1	80.3	79.2	77.0	79.6
Speed:	1786.0	1772.0	1758.0	1741.0	1722.0	1700.0	1730.0
Line Amperes:	1.41	1.59	1.84	2.2	2.61	3.11	2.45

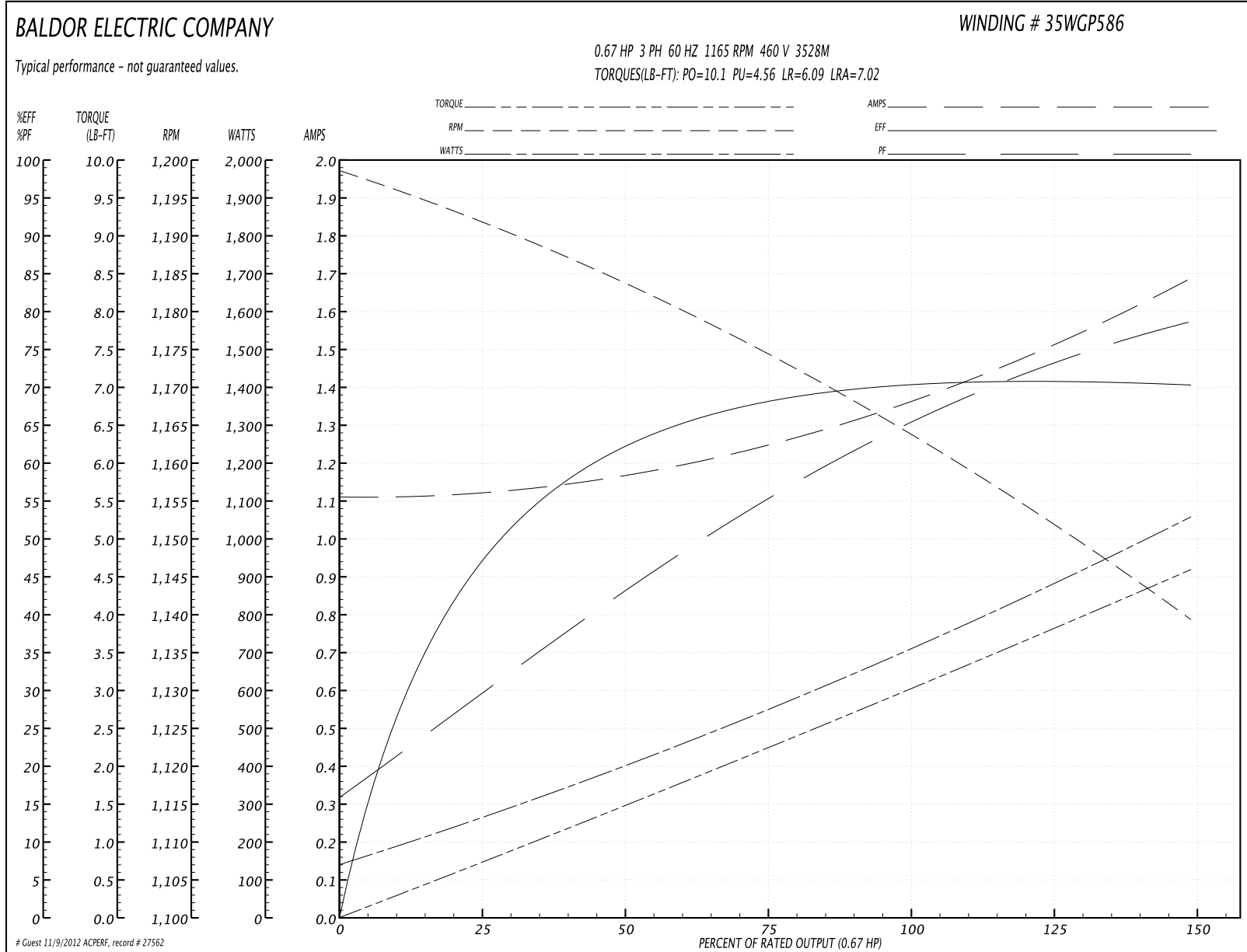
Performance Graph at 460V, 60Hz, 1.5HP Typical performance - Not guaranteed values

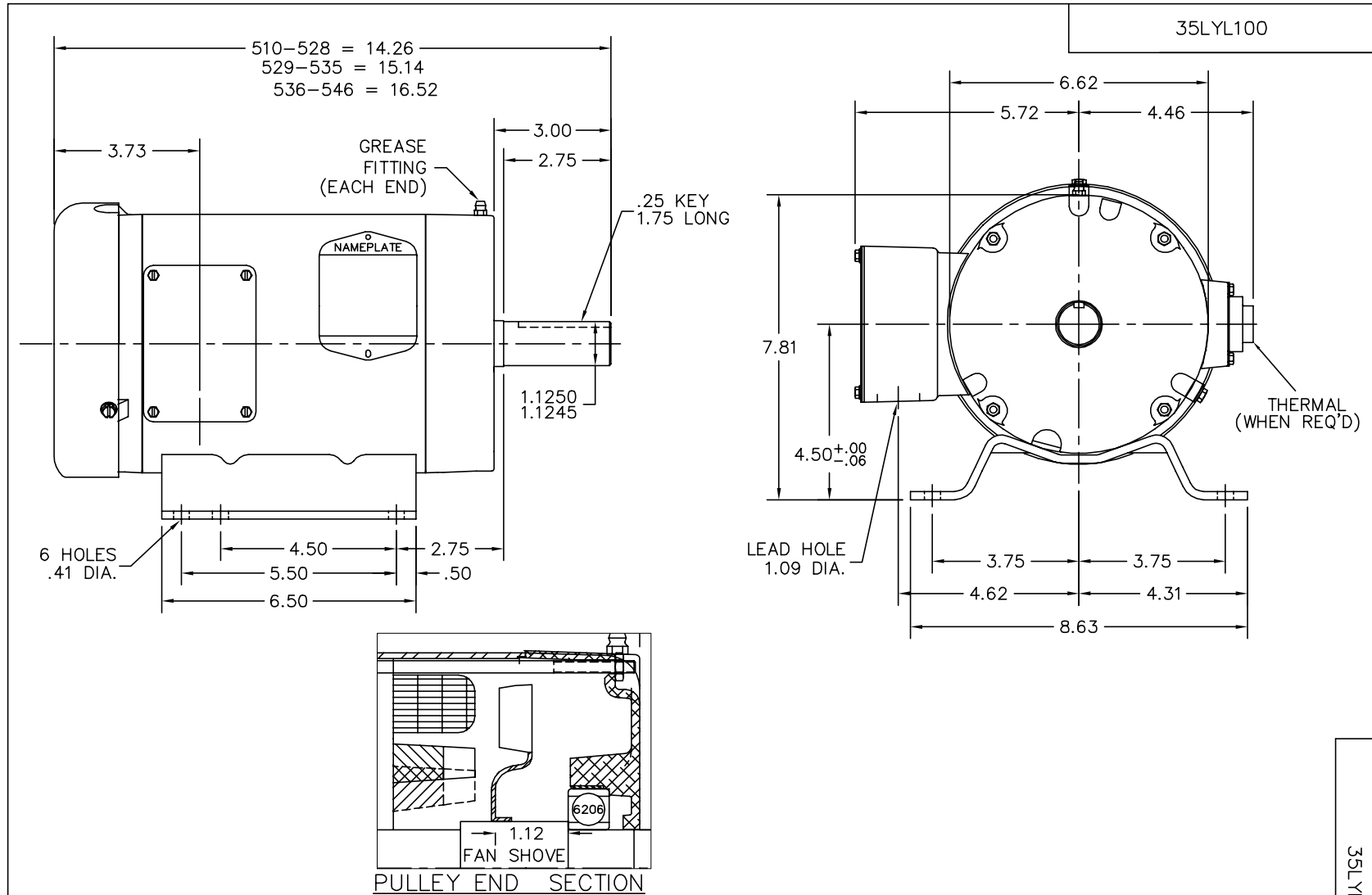


Performance Data at 460V, 60Hz, 0.67HP (Typical performance - Not guaranteed values)

General Characteristics							
Full Load Torque:	2.99 LB-FT			Start Configuration:	DOL		
No-Load Current:	1.11 Amps			Break-Down Torque:	10.1 LB-FT		
Line-line Res. @ 25°C.:	42.4 Ohms A Ph / 0.0 Ohms B Ph			Pull-Up Torque:	4.56 LB-FT		
Temp. Rise @ Rated Load:	64 C			Locked-Rotor Torque:	6.09 LB-FT		
Temp. Rise @ S.F. Load:	76 C			Starting Current:	7.02 Amps		
Load Characteristics							
% of Rated Load	25	50	75	100	125	150	S.F.
Power Factor:	29.0	43.0	55.0	65.0	73.0	79.0	70.0
Efficiency:	45.9	62.0	68.1	70.7	71.2	70.2	71.0
Speed:	1192.0	1183.0	1175.0	1165.0	1152.0	1139.0	1157.0
Line Amperes:	1.12	1.17	1.24	1.36	1.51	1.69	1.45

Performance Graph at 460V, 60Hz, 0.67HP Typical performance - Not guaranteed values





CUSTOMER IS RESPONSIBLE FOR DETERMINING THAT BALDOR'S PRODUCT WILL PERFORM SUITABLY IN THE INTENDED APPLICATION.

REV. DESC: REVISE DESCRIPTION		
REV. LTR: K	VERSION: 01	TDR: 000000469441
FILE: \AAA\00011\872		REVISED: 15:09:15 07/03/2008
MTL: -	BY: ENBRAMO	

BALDOR • DODGE • RELIANCE

STD HORZ 182-4T TEFC 35M

SH 1 of 1

