

BALDOR® • RELIANCE

Product Information Packet

M3108-57

.5HP, 1425 IP23RPM, 3PH, 50HZ, 56, 3420M, OPEN

Copyright © All product information within this document is subject to Baldor Electric Company copyright © protection, unless otherwise noted.

Part Detail							
Revision:	-	Status:	PRD/A	Change #:		Proprietary:	No
Type:	AC	Prod. Type:	3420M	Elec. Spec:	34WGX268	CD Diagram:	
Enclosure:	OPEN	Mfg Plant:		Mech. Spec:	34F779	Layout:	
Frame:	56	Mounting:	F1	Poles:	04	Created Date:	09-07-2011
Base:	RG	Rotation:	R	Insulation:	B	Eff. Date:	09-12-2011
Leads:	6#18	Literature:		Elec. Diagram:		Replaced By:	

Nameplate NP1372L

CAT.NO.	M3108-57						
SPEC.	34F779X268G1						
HP	.5						
VOLTS	230/400						
AMP	1.7/1						
RPM	1425 IP23						
FRAME	56	HZ	50	PH	3		
SER.F.	1.25	CODE	K	DES	B	CL	B
NEMA-NOM-EFF	73	PF	67				
RATING	40C AMB-CONT						
CC	USABLE AT 208V						
DE	6203	ODE	6203				
ENCL	OPEN	SN					
	SFA 2/1.2						

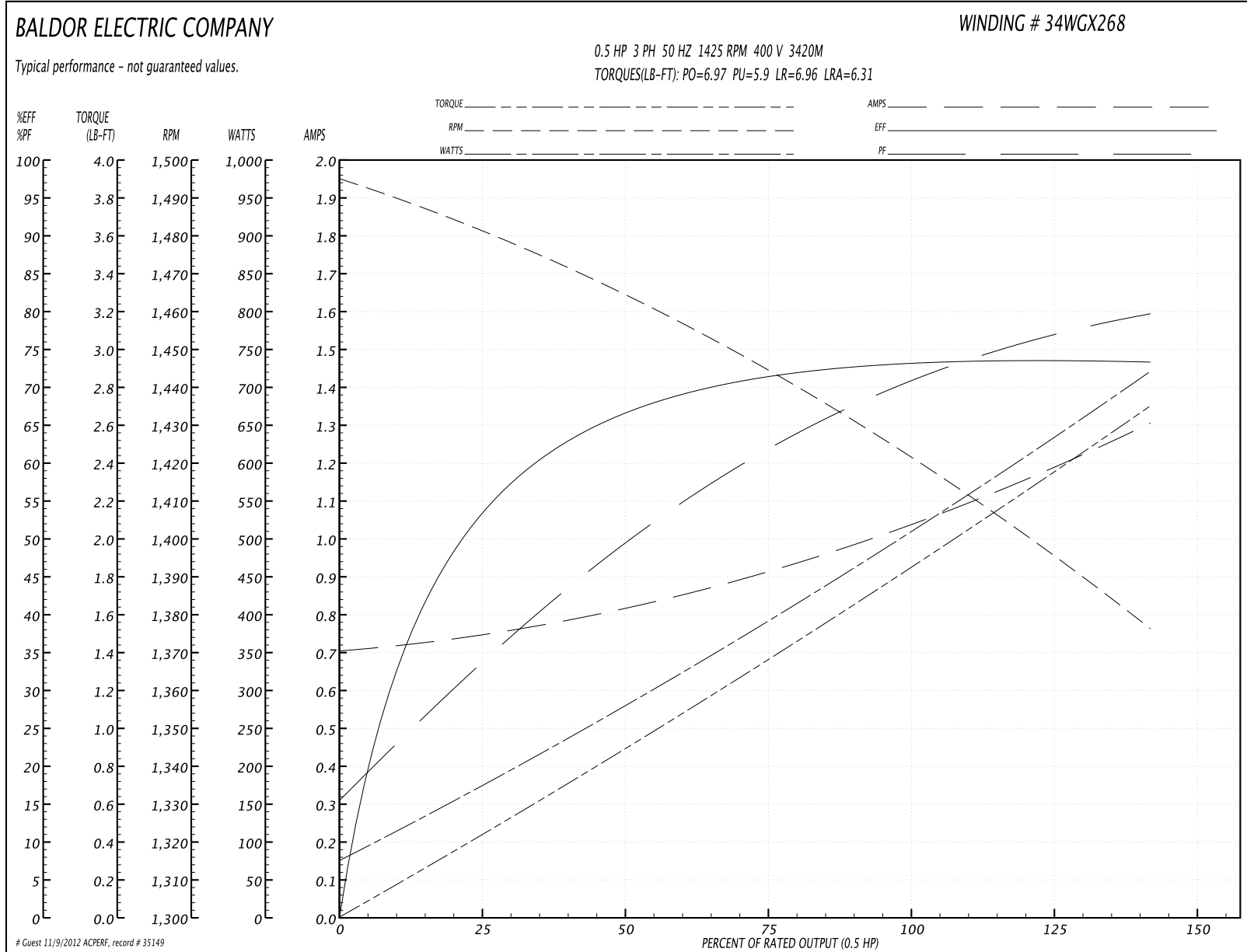
Parts List		
Part Number	Description	Quantity
SA230299	SA 34F779X268G1	1.000 EA
RA217329	RA 34F779X268G1	1.000 EA
NS2512A01	INSULATOR, CONDUIT BOX X	1.000 EA
34CB3002A	CB CAST W/.88 DIA HOLE	1.000 EA
51XB1016A07	10-16 X 7/16 HXWSSLD SERTYB	2.000 EA
11XW1032G06	10-32 X .38, TAPTITE II, HEX WSHR SLTD U	1.000 EA
34EP3210A01SP	FR ENDPLATE, MACH	1.000 EA
HW5100A03SP	WAVY WASHER (W1543-017)	1.000 EA
34EP3212A24	PU ENDPLATE, MODEL 34 OPEN	1.000 EA
XY1032A02	10-32 HEX NUT DIRECTIONAL SERRATION	4.000 EA
34CB4517	CB LID 4 MTG HOLES .22 DIA STAMPED, FOR	1.000 EA
51XW0832A07	8-32 X .44, TAPTITE II, HEX WSHR SLTD SE	4.000 EA
HW2501D13SP	KEY, 3/16 SQ X 1.375	1.000 EA
HA7000A04	KEY RETAINER 0.625 DIA SHAFTS	1.000 EA
HW3001B02	BRASS CUP WASHER W/GROUND SYMBOL TAB,	1.000 EA
MG1000G27	PAINT- S9282E CHARCOAL GREY	0.014 GA
10XF0440S02	04-40 X 1/8 TYPE F HEX HD STAINLESS STIC	2.000 EA
HA3100A44	THRUBOLT 10-32 X 8.000	4.000 EA
LB1119	WARNING LABEL	1.000 EA
LB1125C01	STD (STOCK) CARTON LABEL BALDOR WITH FLA	1.000 EA
LC0034	CONNECTION LABEL	1.000 EA
LB5040	INSTRUCTION TAG, AC & DC	1.000 EA
NP1372L	ALUM UL CSA CE CC	1.000 EA
34PA1002	PACKING GROUP, BALDOR	1.000 EA

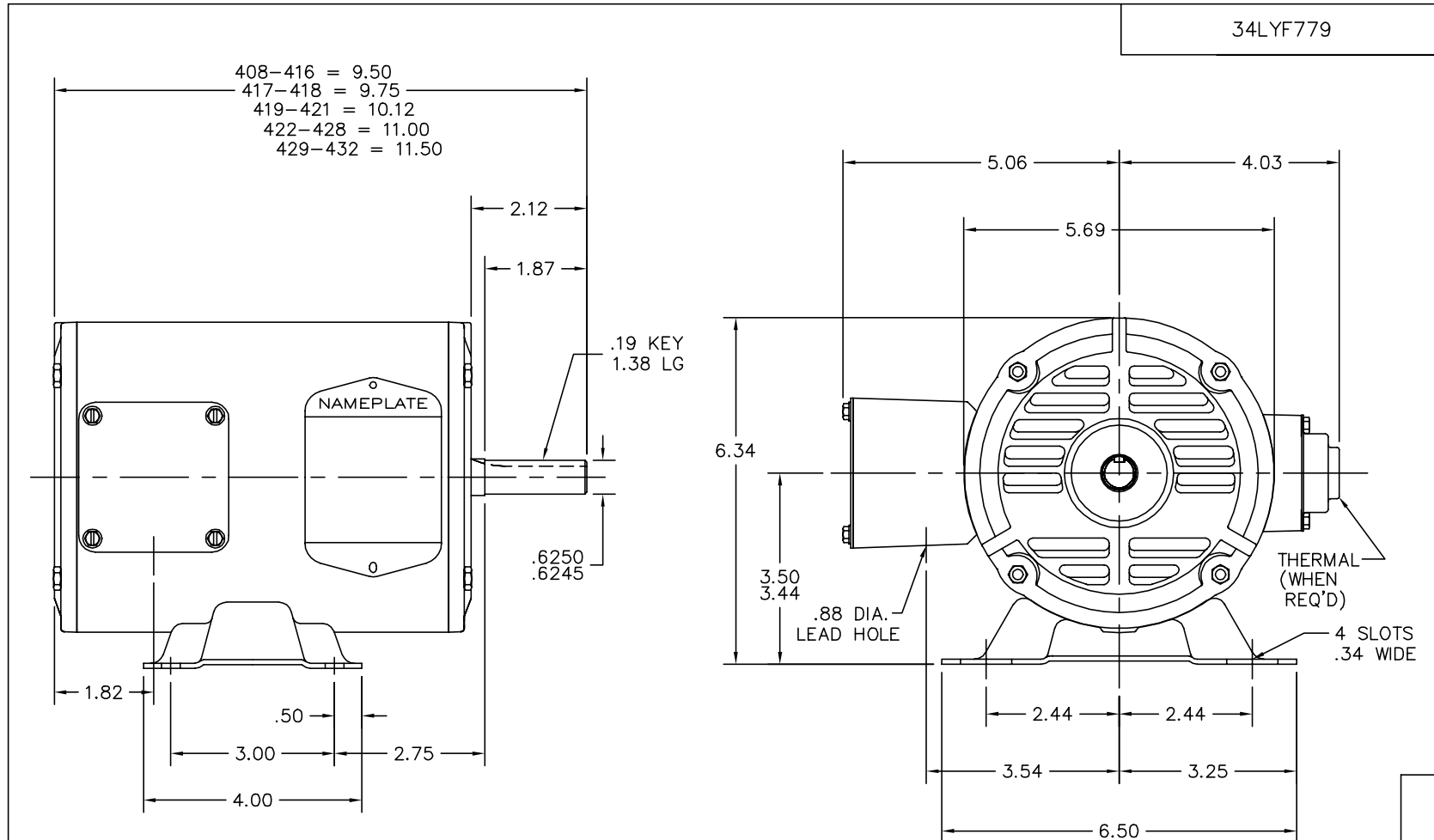
Performance Data at 400V, 50Hz, 0.5HP (Typical performance - Not guaranteed values)

General Characteristics			
Full Load Torque:	1.8 LB-FT	Start Configuration:	DOL
No-Load Current:	0.704 Amps	Break-Down Torque:	6.97 LB-FT
Line-line Res. @ 25°C.:	27.1 Ohms A Ph / 0.0 Ohms B Ph	Pull-Up Torque:	5.9 LB-FT
Temp. Rise @ Rated Load:		Locked-Rotor Torque:	6.96 LB-FT
Temp. Rise @ S.F. Load:		Starting Current:	6.31 Amps

Load Characteristics							
% of Rated Load	25	50	75	100	125	150	S.F.
Power Factor:	35.0	50.0	62.0	69.0	77.0	80.0	77.0
Efficiency:	52.4	66.3	71.8	73.3	73.9	73.1	73.9
Speed:	1479.0	1465.0	1448.0	1418.0	1406.0	1374.0	1406.0
Line Amperes:	0.749	0.819	0.901	1.04	1.15	1.31	1.15

Performance Graph at 400V, 50Hz, 0.5HP Typical performance - Not guaranteed values





CUSTOMER IS RESPONSIBLE FOR DETERMINING THAT BALDOR'S PRODUCT WILL PERFORM SUITABLY IN THE INTENDED APPLICATION.

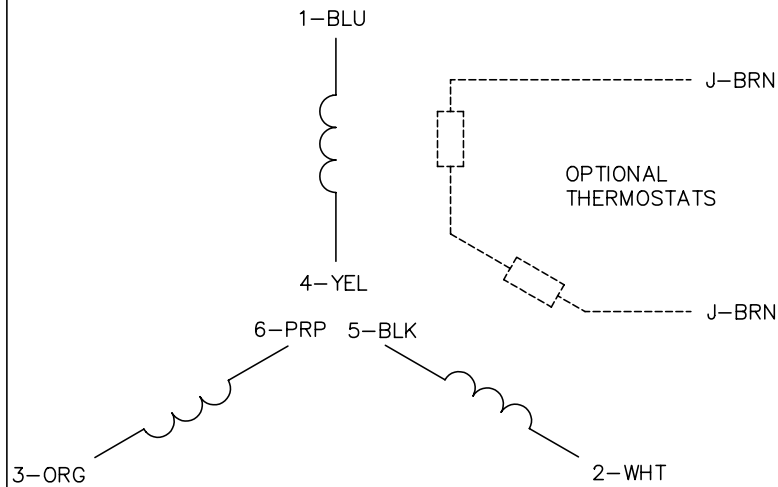
REV. DESC: NO CHANGE		
REV. LTR: B	VERSION: 02	TDR: 000000707115
FILE: \AAA\00181\763		REVISED: 06:51:58 08/24/2011
MTL: -		BY: ENDOUSO

BALDOR

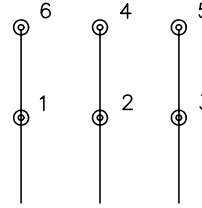
HORZ MODEL 34M NEMA 56 OPEN, SPL SHOVE
 SH 1 of 1

34LYF779

CD0022

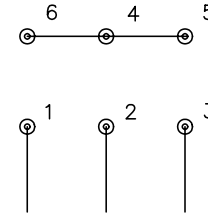


LOW VOLTAGE
(1D)



LINE

HIGH VOLTAGE
(1Y)



LINE

NOTES:

1. INTERCHANGE ANY TWO LINE LEADS TO REVERSE ROTATION.
2. OPTIONAL THERMOSTATS ARE PROVIDED WHEN SPECIFIED.
3. ACTUAL NUMBER OF INTERNAL PARALLEL CIRCUITS MAY BE A MULTIPLE OF THOSE SHOWN ABOVE.
4. LEAD COLORS ARE OPTIONAL. LEADS MUST ALWAYS BE NUMBERED AS SHOWN.

REV. DESC: REVISE TO SHOW OPTIONAL COLORS			
REV. LTR: F	BY: JLP	REVISED: 01/21/99 3:54	TDR: 0171435
CD0022		FILE: AAA00005144	MDL: -
		MTL: -	

BALDOR ELECTRIC Co.

3PH, DV, 6 LEADS, DELTA/WYE CONNECTION

CD0022