

# **BALDOR**® • **RELIANCE**

## **Product Information Packet**

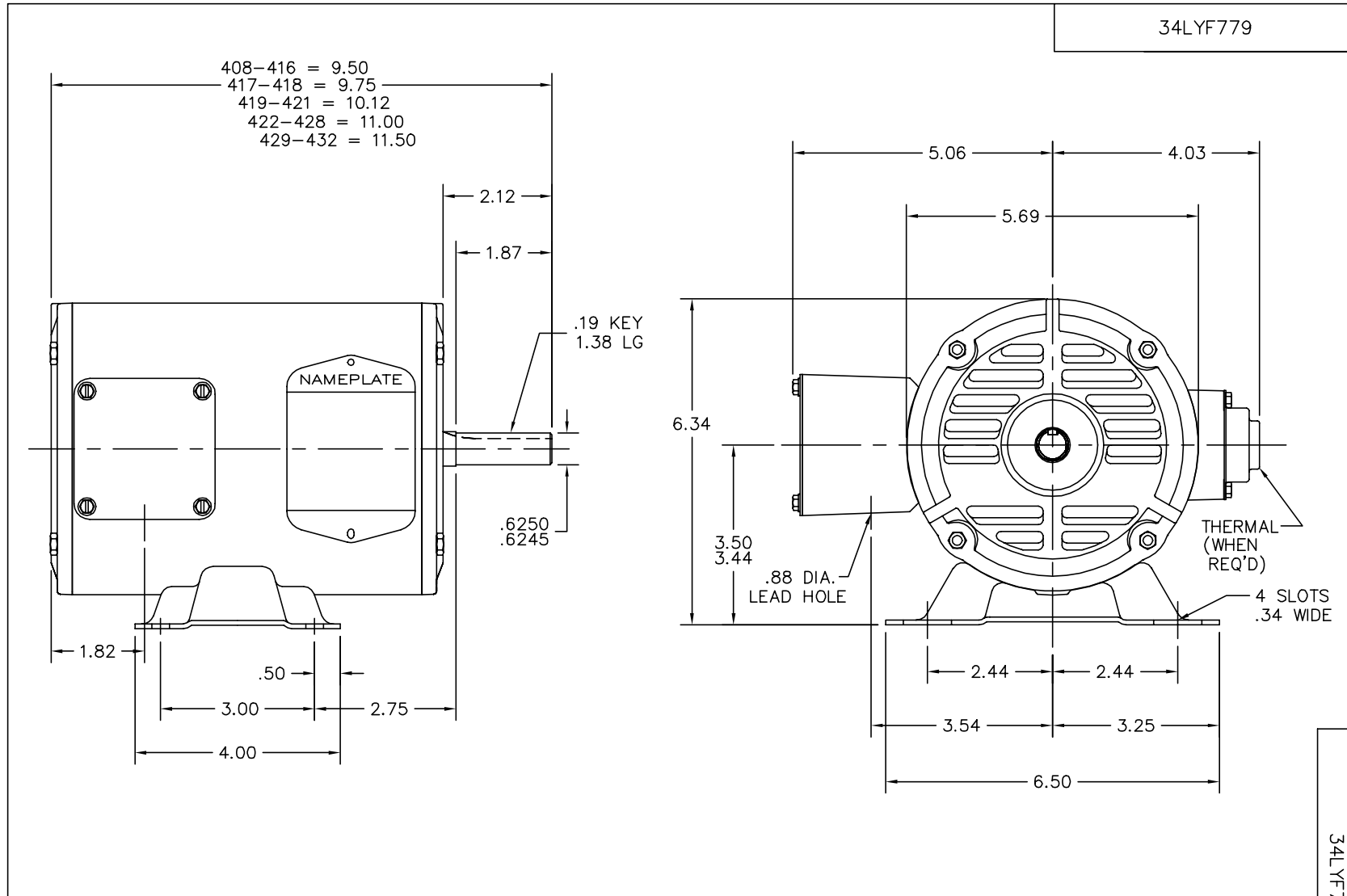
### **M3112-57**

**.75HP,1425 IP23RPM,3PH,50HZ,56,3420M,O**

Copyright © All product information within this document is subject to Baldor Electric Company copyright © protection, unless otherwise noted.

Part Detail									
Revision:	-	Status:	PRD/A	Change #:		Proprietary:	No		
Type:	AC	Prod. Type:	3420M	Elec. Spec:	34WG2382	CD Diagram:			
Enclosure:	OPEN	Mfg Plant:		Mech. Spec:	34F779	Layout:			
Frame:	56	Mounting:	F1	Poles:	04	Created Date:	09-08-2011		
Base:	RG	Rotation:	R	Insulation:	F	Eff. Date:	09-15-2011		
Leads:	6#18	Literature:		Elec. Diagram:		Replaced By:			
Nameplate NP1372L									
CAT.NO.	M3112-57								
SPEC.	34F779-2382G1								
HP	.75								
VOLTS	230/400								
AMP	3.2/1.9								
RPM	1425 IP23								
FRAME	56	HZ			50	PH	3		
SER.F.	1.25	CODE			K	DES	B	CL	F
NEMA-NOM-EFF	70	PF			58				
RATING	40C AMB-CONT								
CC				USABLE AT 208V					
DE	6203	ODE			6203				
ENCL	OPEN	SN							
	SFA 3.6/2.1								

Parts List		
Part Number	Description	Quantity
SA230527	SA 34F779-2382G1	1.000 EA
RA217553	RA 34F779-2382G1	1.000 EA
NS2512A01	INSULATOR, CONDUIT BOX X	1.000 EA
34CB3002A	CB CAST W/.88 DIA HOLE	1.000 EA
51XB1016A07	10-16 X 7/16 HXWSSLD SERTYB	2.000 EA
11XW1032G06	10-32 X .38, TAPTITE II, HEX WSHR SLTD U	1.000 EA
34EP3210A01SP	FR ENDPLATE, MACH	1.000 EA
HW5100A03SP	WAVY WASHER (W1543-017)	1.000 EA
34EP3212A24	PU ENDPLATE, MODEL 34 OPEN	1.000 EA
XY1032A02	10-32 HEX NUT DIRECTIONAL SERRATION	4.000 EA
34CB4517	CB LID 4 MTG HOLES .22 DIA STAMPED, FOR	1.000 EA
51XW0832A07	8-32 X .44, TAPTITE II, HEX WSHR SLTD SE	4.000 EA
HW2501D13SP	KEY, 3/16 SQ X 1.375	1.000 EA
HA7000A04	KEY RETAINER 0.625 DIA SHAFTS	1.000 EA
HW3001B02	BRASS CUP WASHER W/GROUND SYMBOL TAB,	1.000 EA
MG1000G27	PAINT- S9282E CHARCOAL GREY	0.014 GA
10XF0440S02	04-40 X 1/8 TYPE F HEX HD STAINLESS STIC	2.000 EA
HA3100A44	THRUBOLT 10-32 X 8.000	4.000 EA
LB1125C01	STD (STOCK) CARTON LABEL BALDOR WITH FLA	1.000 EA
LB1119	WARNING LABEL	1.000 EA
LC0034	CONNECTION LABEL	1.000 EA
LB5040	INSTRUCTION TAG, AC & DC	1.000 EA
NP1372L	ALUM UL CSA CE CC	1.000 EA
PA1000	PACKING GROUP 3500 SHORT	1.000 EA



CUSTOMER IS RESPONSIBLE FOR DETERMINING THAT BALDOR'S PRODUCT WILL PERFORM SUITABLY IN THE INTENDED APPLICATION.

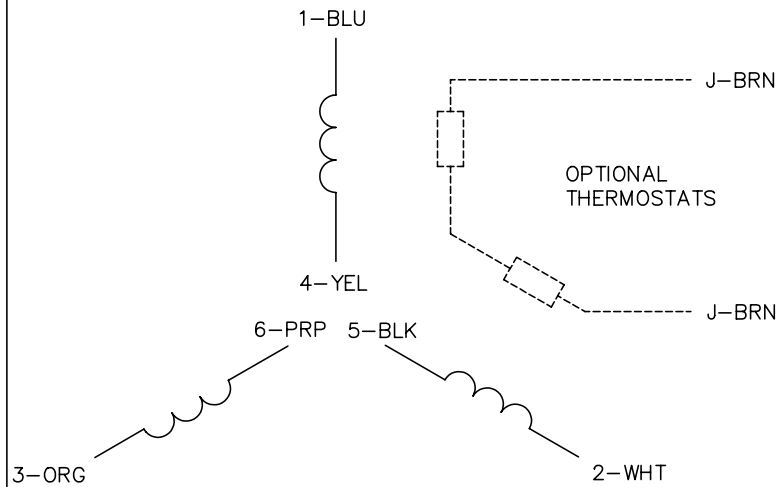
REV. DESC: NO CHANGE		
REV. LTR: B	VERSION: 02	TDR: 000000707115
FILE: \AAA\00181\763		REVISED: 06:51:58 08/24/2011
MTL: -	BY: ENDOUSO	

**BALDOR**

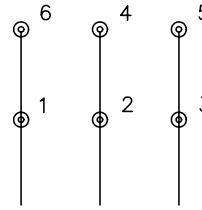
HORZ MODEL 34M NEMA 56 OPEN, SPL SHOVE  
SH 1 of 1

34LYF779

CD0022

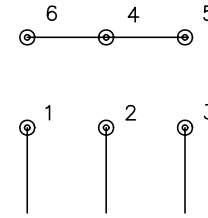


LOW VOLTAGE  
(1D)



LINE

HIGH VOLTAGE  
(1Y)



LINE

NOTES:

1. INTERCHANGE ANY TWO LINE LEADS TO REVERSE ROTATION.
2. OPTIONAL THERMOSTATS ARE PROVIDED WHEN SPECIFIED.
3. ACTUAL NUMBER OF INTERNAL PARALLEL CIRCUITS MAY BE A MULTIPLE OF THOSE SHOWN ABOVE.
4. LEAD COLORS ARE OPTIONAL. LEADS MUST ALWAYS BE NUMBERED AS SHOWN.

REV. DESC: REVISE TO SHOW OPTIONAL COLORS			
REV. LTR: F	BY: JLP	REVISED: 01/21/99 3:54	TDR: 0171435
CD0022		FILE: AAA00005144	MDL: -
		MTL: -	

**BALDOR ELECTRIC Co.**

3PH, DV, 6 LEADS, DELTA/WYE CONNECTION

CD0022