

BALDOR® • RELIANCE

Product Information Packet

M3532

.25HP,860RPM,3PH,60HZ,56,3514M,TEFC,F1,N

Copyright © All product information within this document is subject to Baldor Electric Company copyright © protection, unless otherwise noted.

Part Detail							
Revision:	C	Status:	PRD/A	Change #:		Proprietary:	No
Type:	AC	Prod. Type:	3514M	Elec. Spec:	35WGM498	CD Diagram:	
Enclosure:	TEFC	Mfg Plant:		Mech. Spec:	35A011	Layout:	
Frame:	56	Mounting:	F1	Poles:	08	Created Date:	12-08-2010
Base:	RG	Rotation:	R	Insulation:	B	Eff. Date:	07-29-2011
Leads:	9#18	Literature:		Elec. Diagram:		Replaced By:	

Nameplate NP1256L

CAT.NO.	M3532						
SPEC.	35A011M498G1						
HP	.25						
VOLTS	208-230/460						
AMP	1.5-1.6/.8						
RPM	860						
FRAME	56	HZ	60	PH	3		
SER.F.	1.35	CODE	K	DES	B	CLASS	B
NEMA-NOM-EFF	57.5	PF	52				
RATING	40C AMB-CONT						
CC	USABLE AT 208V						
DE	6205	ODE	6203				
ENCL	TEFC	SN					
	SFA 1.6-1.7/.85						

Parts List		
Part Number	Description	Quantity
SA212657	SA 35A011M498G1	1.000 EA
RA199886	RA 35A011M498G1	1.000 EA
35FN3002A05SP	EXFN, PLASTIC, 6.376 OD, .638 ID	1.000 EA
NS2512A01	INSULATOR, CONDUIT BOX X	1.000 EA
35CB3007	35 CB CASTING W/.88 DIA. LEAD HOLE	1.000 EA
36GS1000SP	GASKET-CONDUIT BOX, .06 THICK #SV-330 LE	1.000 EA
51XB1016A07	10-16 X 7/16 HXWSSLD SERTYB	2.000 EA
11XW1032G06	10-32 X .38, TAPTITE II, HEX WSHR SLTD U	1.000 EA
35EP3100M02	FREP TEFC 203 BRG W/O GRSR (RAISED FH MT	1.000 EA
HW5100A03SP	WAVY WASHER (W1543-017)	1.000 EA
35EP3101A02SP	STD PU ENDPLATE-ENCL-205 BRG LESS GREASE	1.000 EA
XY1032A02	10-32 HEX NUT DIRECTIONAL SERRATION	4.000 EA
51XB1214A16	12-14X1.00 HXWSSLD SERTYB	1.000 EA
35FH4005A32SP	IEC FH NO GRSR W/3 HOLES - W/AUTOPHERETI	1.000 EA
51XW1032A06	10-32 X .38, TAPTITE II, HEX WSHR SLTD S	3.000 EA
35CB4521GX	CONDUIT BOX LID KIT	1.000 EA
51XW0832A07	8-32 X .44, TAPTITE II, HEX WSHR SLTD SE	4.000 EA
HW2501D13SP	KEY, 3/16 SQ X 1.375	1.000 EA
HA7000A04	KEY RETAINER 0.625 DIA SHAFTS	1.000 EA
85XU0407S04	4X1/4 U DRIVE PIN STAINLESS	2.000 EA
MJ1000A75	GREASE, POLYREX EM EXXON	0.050 LB
MG1000G27	PAINT- S9282E CHARCOAL GREY	0.017 GA
HA3100A15	THRUBOLT 10-32 X 8.375	4.000 EA
LB1125C01	STD (STOCK) CARTON LABEL BALDOR WITH FLA	1.000 EA

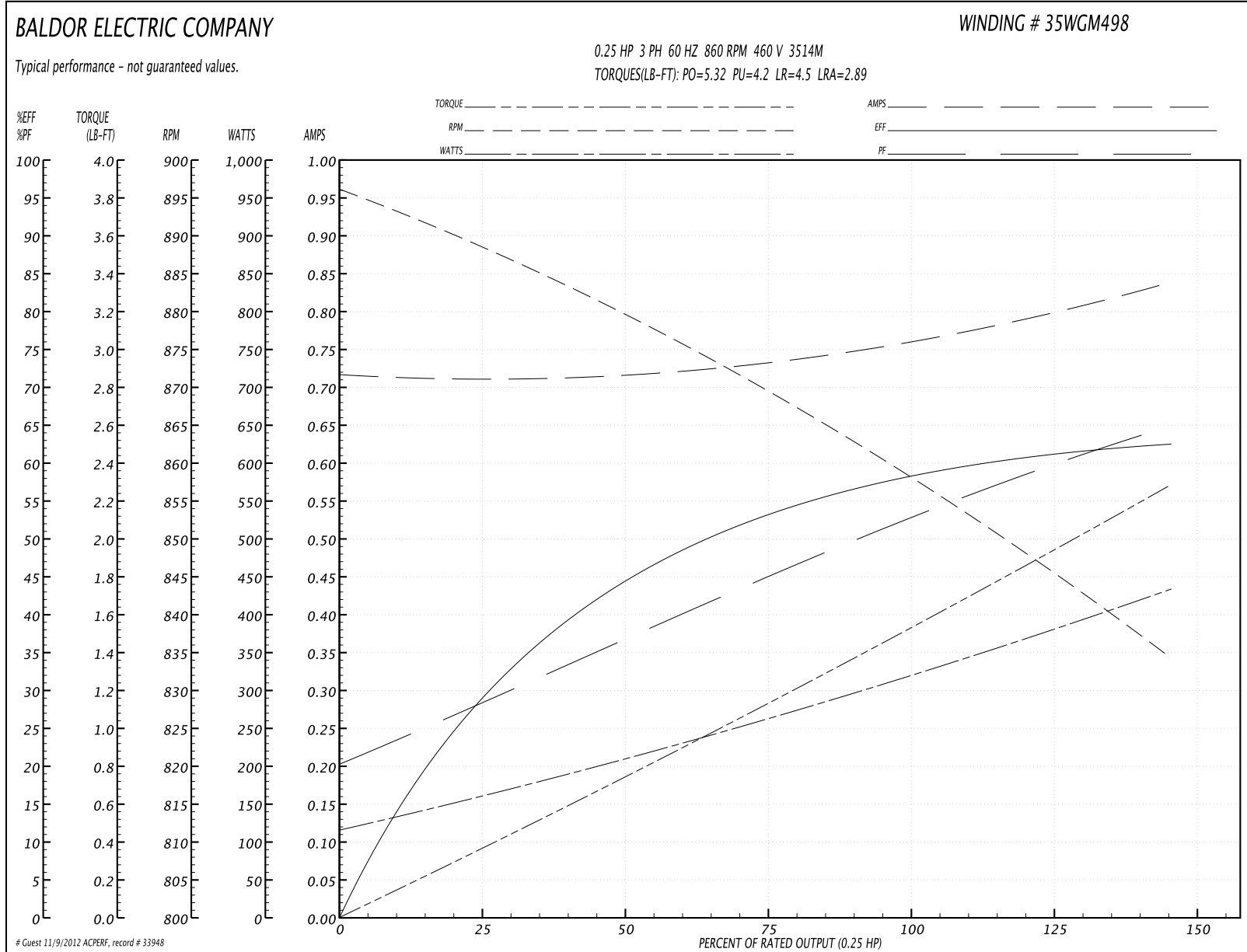
Parts List (continued)		
Part Number	Description	Quantity
LC0005E01	CONN.DIA./WARNING LABEL (LC0005/LB1119)	1.000 EA
NP1256L	ALUM UL CSA CC	1.000 EA
PA1000	PACKING GROUP 3500 SHORT	1.000 EA

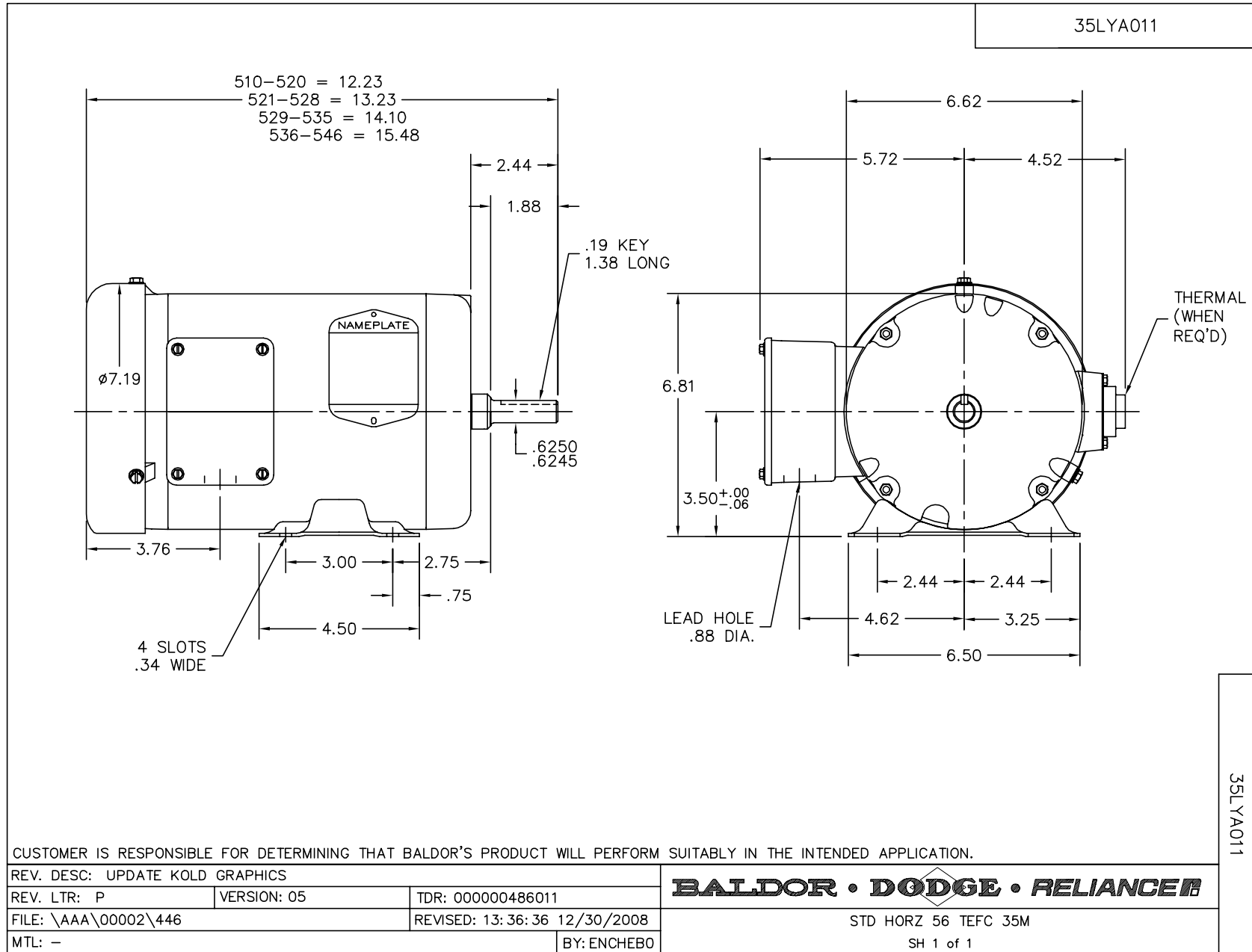
Accessories		
Part Number	Description	Multiplier
35-8762	C FACE KIT	A8
35EP1506A01SP	D-FLANGE KIT	A8

Performance Data at 460V, 60Hz, 0.25HP (Typical performance - Not guaranteed values)

General Characteristics							
Full Load Torque:	1.52 LB-FT			Start Configuration:	DOL		
No-Load Current:	0.714 Amps			Break-Down Torque:	5.32 LB-FT		
Line-line Res. @ 25°C.:	90.3 Ohms A Ph / 0.0 Ohms B Ph			Pull-Up Torque:	4.2 LB-FT		
Temp. Rise @ Rated Load:	47 C			Locked-Rotor Torque:	4.5 LB-FT		
Temp. Rise @ S.F. Load:	56 C			Starting Current:	2.89 Amps		
Load Characteristics							
% of Rated Load	25	50	75	100	125	150	S.F.
Power Factor:	28.0	37.0	45.0	53.0	59.0	65.0	61.0
Efficiency:	29.2	44.5	53.0	58.5	61.1	62.4	61.6
Speed:	889.0	879.0	869.0	859.0	847.0	834.0	842.0
Line Amperes:	0.715	0.717	0.732	0.757	0.793	0.841	0.812

Performance Graph at 460V, 60Hz, 0.25HP Typical performance - Not guaranteed values





CD0005

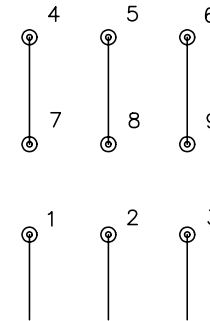


LOW VOLTAGE
(2Y)



LINE

HIGH VOLTAGE
(1Y)



LINE

NOTES:

1. INTERCHANGE ANY TWO LINE LEADS TO REVERSE ROTATION.
2. OPTIONAL THERMOSTATS ARE PROVIDED WHEN SPECIFIED.
3. ACTUAL NUMBER OF INTERNAL PARALLEL CIRCUITS MAY BE A MULTIPLE OF THOSE SHOWN ABOVE.
4. LEAD COLORS ARE OPTIONAL. LEADS MUST ALWAYS BE NUMBERED AS SHOWN.

REV. DESC: REVISE TO SHOW OPTIONAL COLORS			
REV. LTR: E	BY: JLP	REVISED: 01/19/99 10:15	TDR: 0171435
90000		FILE: AAA00005140	MDL: -
		MTL: -	

BALDOR ELECTRIC Co.

3PH, DV, 9 LEADS

CD0005