

BALDOR® • **RELIANCE**

Product Information Packet

M3538

.5HP, 1725RPM, 3PH, 60HZ, 56, 3416M, TEFC, F1

Copyright © All product information within this document is subject to Baldor Electric Company copyright © protection, unless otherwise noted.

Part Detail							
Revision:	Q	Status:	PRD/A	Change #:		Proprietary:	No
Type:	AC	Prod. Type:	3416M	Elec. Spec:	34WG0872	CD Diagram:	
Enclosure:	TEFC	Mfg Plant:		Mech. Spec:	34A061	Layout:	
Frame:	56	Mounting:	F1	Poles:	04	Created Date:	
Base:	RG	Rotation:	R	Insulation:	B	Eff. Date:	03-23-2011
Leads:	9#18	Literature:		Elec. Diagram:		Replaced By:	

Nameplate NP1256L									
CAT.NO.	M3538								
SPEC.	34A61-872								
HP	.5								
VOLTS	230/460								
AMP	2/1								
RPM	1725								
FRAME	56	HZ	60	PH	3				
SER.F.	1.25	CODE	L	DES	B	CLASS	B		
NEMA-NOM-EFF	74	PF	63						
RATING	40C AMB-CONT								
CC				USABLE AT 208V	2.5				
DE	6203	ODE	6203						
ENCL	TEFC	SN							
	SFA 2.4/1.2								

Parts List		
Part Number	Description	Quantity
SA009791	SA 34A61-872	1.000 EA
RA006236	RA 34A61-872	1.000 EA
NS2512A01	INSULATOR, CONDUIT BOX X	1.000 EA
34CB3002A	CB CAST W/.88 DIA HOLE	1.000 EA
34GS1029A01	GASKET, CONDUIT BOX	1.000 EA
51XB1016A07	10-16 X 7/16 HXWSSLD SERTYB	2.000 EA
11XW1032G06	10-32 X .38, TAPTITE II, HEX WSHR SLTD U	1.000 EA
34EP3102A01SP	FR ENDPLATE, MACH	1.000 EA
HW5100A03SP	WAVY WASHER (W1543-017)	1.000 EA
34EP3102A02SP	FR/PU ENDPLATE, MACH	1.000 EA
XY1032A02	10-32 HEX NUT DIRECTIONAL SERRATION	4.000 EA
34FN3002A01SP	EXTERNAL FAN, PLASTIC, .637/.639 HUB W/	1.000 EA
34FH4002A01	IEC FH NO GREASER	1.000 EA
51XW1032A06	10-32 X .38, TAPTITE II, HEX WSHR SLTD S	3.000 EA
34CB4517	CB LID 4 MTG HOLES .22 DIA STAMPED, FOR	1.000 EA
34GS1031A01	GASKET, FLAT CONDUIT BOX LID (LEXIDE)	1.000 EA
51XW0832A07	8-32 X .44, TAPTITE II, HEX WSHR SLTD SE	4.000 EA
HW2501D13SP	KEY, 3/16 SQ X 1.375	1.000 EA
HA7000A04	KEY RETAINER 0.625 DIA SHAFTS	1.000 EA
MG1000G27	PAINT- S9282E CHARCOAL GREY	0.014 GA
10XF0440S02	04-40 X 1/8 TYPE F HEX HD STAINLESS STIC	2.000 EA
HA3100A12	THRUBOLT 10-32 X 7.375	4.000 EA
LB5040	INSTRUCTION TAG, AC & DC	1.000 EA
LB1125C01	STD (STOCK) CARTON LABEL BALDOR WITH FLA	1.000 EA

Parts List (continued)		
Part Number	Description	Quantity
LC0005E01	CONN.DIA./WARNING LABEL (LC0005/LB1119)	1.000 EA
NP1256L	ALUM UL CSA CC	1.000 EA
34PA1002	PACKING GROUP, BALDOR	1.000 EA

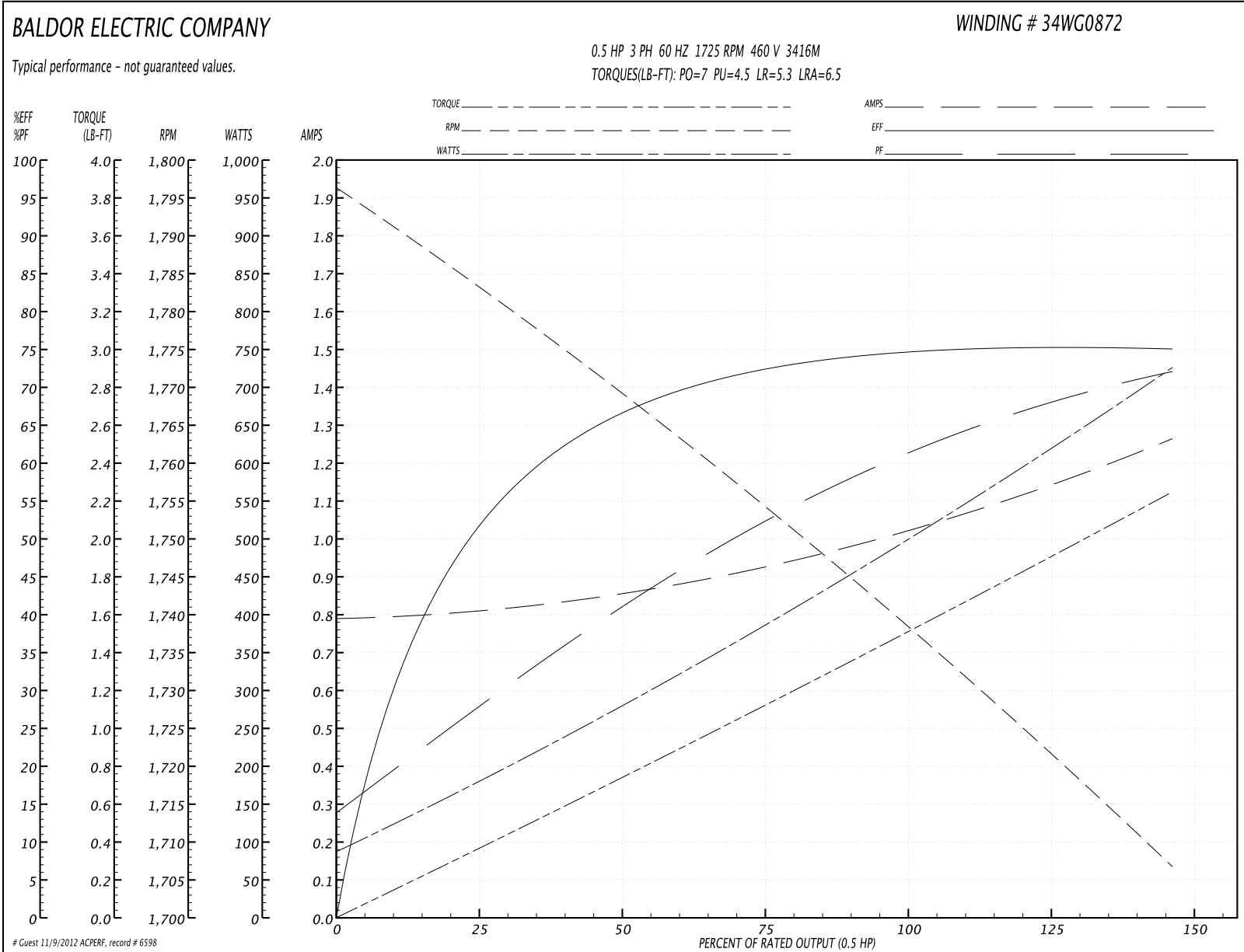
Accessories		
Part Number	Description	Multiplier
34-171	C FACE KIT	A8

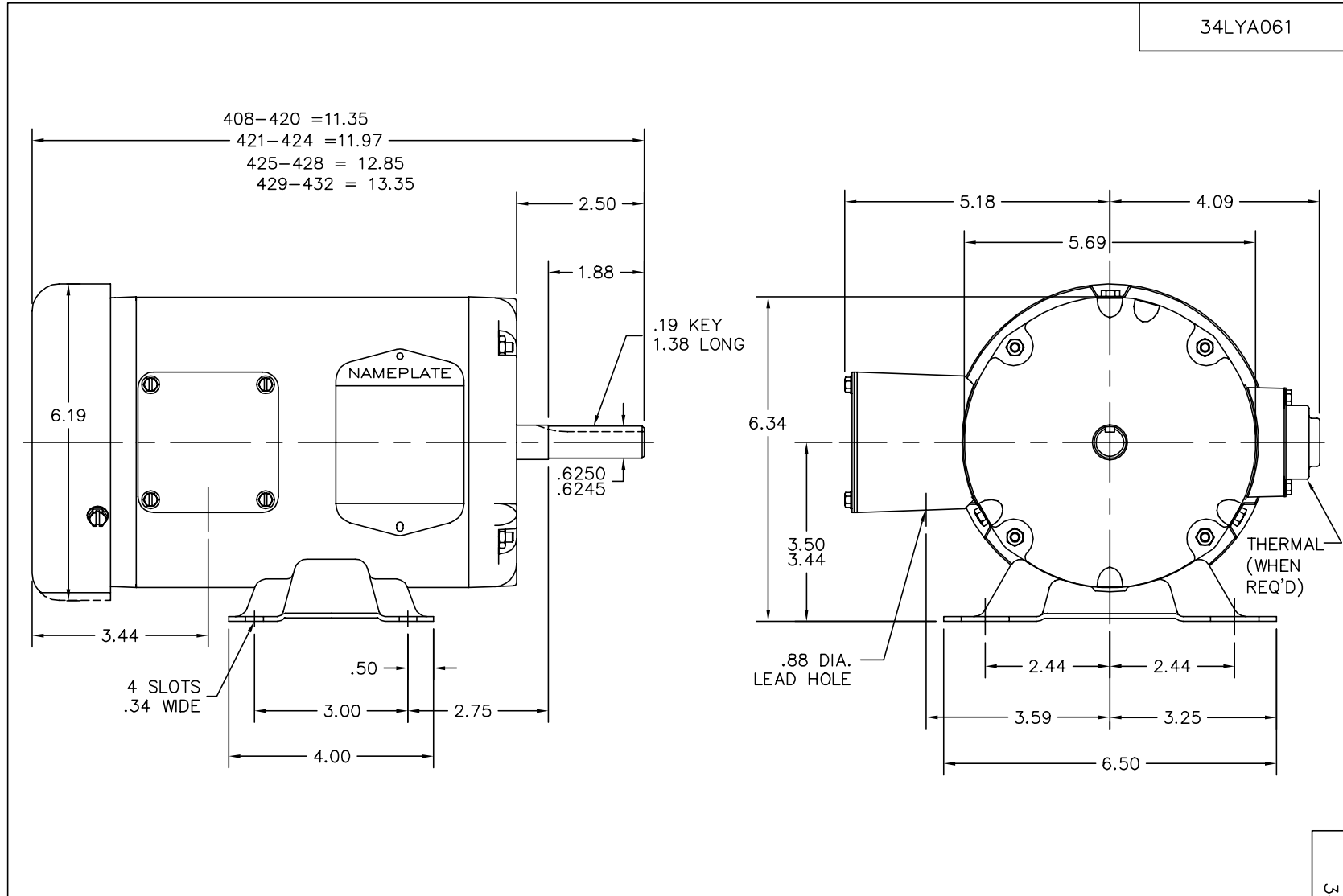
Performance Data at 460V, 60Hz, 0.5HP (Typical performance - Not guaranteed values)

General Characteristics			
Full Load Torque:	1.5 LB-FT	Start Configuration:	DOL
No-Load Current:	0.8 Amps	Break-Down Torque:	7.0 LB-FT
Line-line Res. @ 25°C.:	32.0 Ohms A Ph / 0.0 Ohms B Ph	Pull-Up Torque:	4.5 LB-FT
Temp. Rise @ Rated Load:	65 C	Locked-Rotor Torque:	5.3 LB-FT
Temp. Rise @ S.F. Load:	77 C	Starting Current:	6.5 Amps

Load Characteristics							
% of Rated Load	25	50	75	100	125	150	S.F.
Power Factor:	30.0	43.0	55.0	63.0	69.0	75.0	0.0
Efficiency:	53.2	66.4	72.5	74.6	75.3	75.1	0.0
Speed:	1782.0	1769.0	1754.0	1739.0	1724.0	1706.0	0.0
Line Amperes:	0.8	0.85	0.92	1.03	1.15	1.25	1.15

Performance Graph at 460V, 60Hz, 0.5HP Typical performance - Not guaranteed values





34LYA061

CUSTOMER IS RESPONSIBLE FOR DETERMINING THAT MOTOR PERFORMANCE IS SUITABLE IN THE APPLICATION.

REV. DESC: ADDED DIM 3.44, UPDATE ASSEMBLY PART & DRAWING			
REV. LTR: J	VERSION: 02	TDR: 000000358076	
34LYA061	FILE: \AAA\00000\561	REVISED: 13:19:12 02/25/2005	
	MTL: -	BY: ENRSTO	

BALDOR ELECTRIC Co.

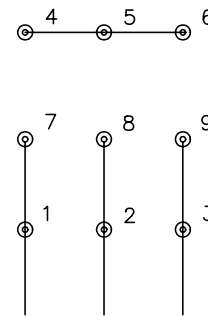
STD HORZ 34M NEMA 56 TEFC

34LYA061

CD0005

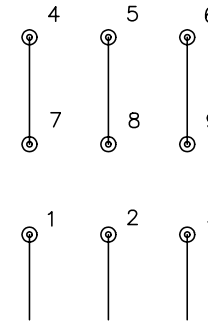


LOW VOLTAGE
(2Y)



LINE

HIGH VOLTAGE
(1Y)



LINE

NOTES:

1. INTERCHANGE ANY TWO LINE LEADS TO REVERSE ROTATION.
2. OPTIONAL THERMOSTATS ARE PROVIDED WHEN SPECIFIED.
3. ACTUAL NUMBER OF INTERNAL PARALLEL CIRCUITS MAY BE A MULTIPLE OF THOSE SHOWN ABOVE.
4. LEAD COLORS ARE OPTIONAL. LEADS MUST ALWAYS BE NUMBERED AS SHOWN.

REV. DESC: REVISE TO SHOW OPTIONAL COLORS			
REV. LTR: E	BY: JLP	REVISED: 01/19/99 10:15	TDR: 0171435
900000		FILE: AAA00005140	MDL: -
		MTL: -	

BALDOR ELECTRIC Co.

3PH, DV, 9 LEADS

CD0005