

# **BALDOR**® • *RELIANCE*

## **Product Information Packet**

# **MVM3458C**

**.25KW, 1725RPM, 3PH, 60HZ, D71C, 3320M, TEFC**

Copyright © All product information within this document is subject to Baldor Electric Company copyright © protection, unless otherwise noted.

| Part Detail |      |             |       |                |          |               |            |
|-------------|------|-------------|-------|----------------|----------|---------------|------------|
| Revision:   | AD   | Status:     | PRD/A | Change #:      |          | Proprietary:  | No         |
| Type:       | AC   | Prod. Type: | 3320M | Elec. Spec:    | 33WG0675 | CD Diagram:   |            |
| Enclosure:  | TEFC | Mfg Plant:  |       | Mech. Spec:    | 33-1922  | Layout:       |            |
| Frame:      | D71C | Mounting:   | F2    | Poles:         | 04       | Created Date: | 06-25-2007 |
| Base:       | N    | Rotation:   | R     | Insulation:    | B        | Eff. Date:    | 08-30-2012 |
| Leads:      | 9#18 | Literature: |       | Elec. Diagram: |          | Replaced By:  |            |

**Nameplate NP1379L**

|              |                |      |  |     |          |      |   |
|--------------|----------------|------|--|-----|----------|------|---|
| CAT.NO.      | MVM3458C       |      |  |     |          |      |   |
| SPEC.        | 33-1922-675    |      |  |     |          |      |   |
| IEC FRAME    | D71C           | K.W. |  |     | .25 T TE |      |   |
| VOLTS        | 230/460        |      |  |     |          |      |   |
| AMP          | 1.4/.7         |      |  |     |          |      |   |
| RPM          | 1725           | I.P. |  |     | 54       |      |   |
| HZ           | 60             | PH   |  |     | 3        | CL   | B |
| SER.F.       | 1.35           | DES  |  |     | B        | CODE | - |
| NEMA-NOM-EFF | 74             | PF   |  |     | 58       |      |   |
| RATING       | 40C AMB-CONT   |      |  |     |          |      |   |
| CC           | USABLE AT 208V |      |  | 1.7 |          |      |   |
| DE           | 6203           | ODE  |  |     | 6203     |      |   |
| SER. #       |                |      |  |     |          |      |   |
|              | SFA 1.6/.8     |      |  |     |          |      |   |

| Parts List    |  |          |
|---------------|--|----------|
| Part Number   | Description                              | Quantity |
| SA007277      | SA 33-1922-675                           | 1.000 EA |
| RA003724      | RA 33-1922-675                           | 1.000 EA |
| LC0005        | CONN.DIA., TY M,9-LD,DUAL VOLT,REVERSING | 1.000 EA |
| 34CB3002C     | CB CAST W/.69 DIA HOLE                   | 1.000 EA |
| 34GS1029A01   | GASKET, CONDUIT BOX                      | 1.000 EA |
| 51XB1016A07   | 10-16 X 7/16 HXWSSLD SERTYB              | 2.000 EA |
| 11XW1032G06   | 10-32 X .38, TAPTITE II, HEX WSHR SLTD U | 1.000 EA |
| 33EP3100A01SP | EP,33AC ODE GP 6203 TEFC W/DRAIN         | 1.000 EA |
| HW5109A05     | WASHER, WAVE SPRING FOR 40MM BORE SMALLE | 1.000 EA |
| 33EP1300A35   | PU EP, ENCL FACE MTD IEC D71C FOR SEAL   | 1.000 EA |
| 51XN1032A20   | 10-32 X 1 1/4 HX WS SL SR                | 2.000 EA |
| 33FN3000SP    | EXTERNAL FAN, PLASTIC                    | 1.000 EA |
| 12XN0832A16   | 8-32 X 1.00" SLT HEX HD ZINC PLATED      | 1.000 EA |
| HW1003A08     | WASHER, #8 EX TH LK, ZN (F/S)            | 1.000 EA |
| XY0832A02     | 8-32 HEX NUT                             | 1.000 EA |
| 33FH4001A01   | FAN COVER, STAMPED                       | 1.000 EA |
| 11XT1032A06   | 10-32 X 3/8 HX WSHR HD SLTD TYPE 23      | 3.000 EA |
| 34CB4517      | CB LID 4 MTG HOLES .22 DIA STAMPED, FOR  | 1.000 EA |
| 34GS1031A01   | GASKET, FLAT CONDUIT BOX LID (LEXIDE)    | 1.000 EA |
| 51XW0832A07   | 8-32 X .44, TAPTITE II, HEX WSHR SLTD SE | 4.000 EA |
| HW2504D08     | KEY, 5 MM X .875                         | 1.000 EA |
| HW4600A50     | SEAL,#6806 C-R .669X1.25 X.25 SNG LIP NO | 1.000 EA |
| MJ5001A01     | 46-665 RED SEALER                        | 0.001 QT |
| MG1000G27     | PAINT- S9282E CHARCOAL GREY              | 0.013 GA |

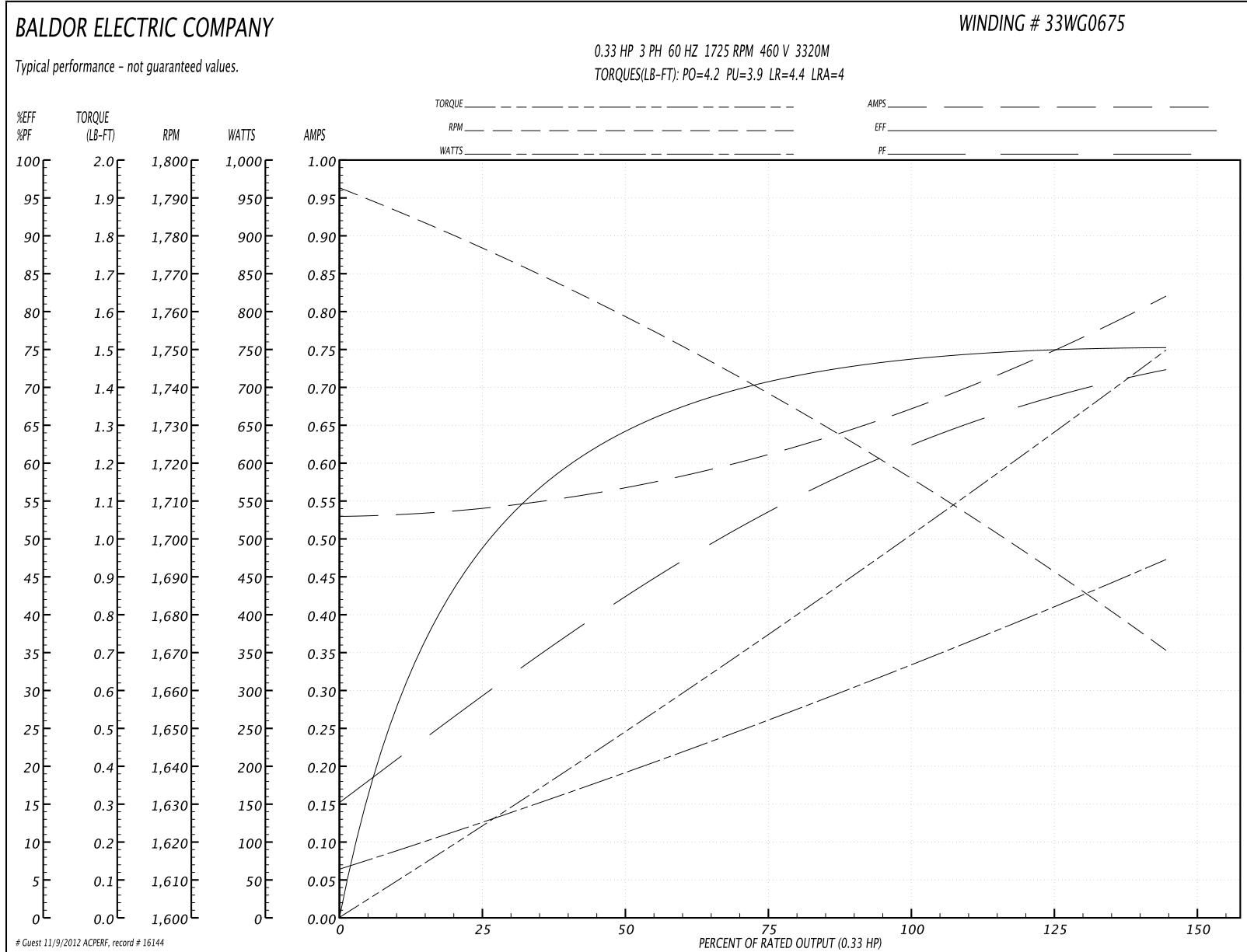
| Parts List (continued) |  |          |
|------------------------|--|----------|
| Part Number            | Description                              | Quantity |
| 85XU0407S04            | 4X1/4 U DRIVE PIN STAINLESS              | 2.000 EA |
| HA3100A44              | THRUBOLT 10-32 X 8.000                   | 2.000 EA |
| LB5040                 | INSTRUCTION TAG, AC & DC                 | 1.000 EA |
| LB1171                 | LABEL CARTON 6X6 ON LINE BLANK ROLLS     | 1.000 EA |
| LB1119                 | WARNING LABEL                            | 1.000 EA |
| NP1379L                | ALUM IEC UL CSA CC                       | 1.000 EA |
| PA1501                 | PACKING GROUP (VERTICAL), BALDOR         | 1.000 EA |
| ME4000                 | .375-.75" DIA.#SW-04 WOVEN SHAFT PROTECT | 0.125 FT |

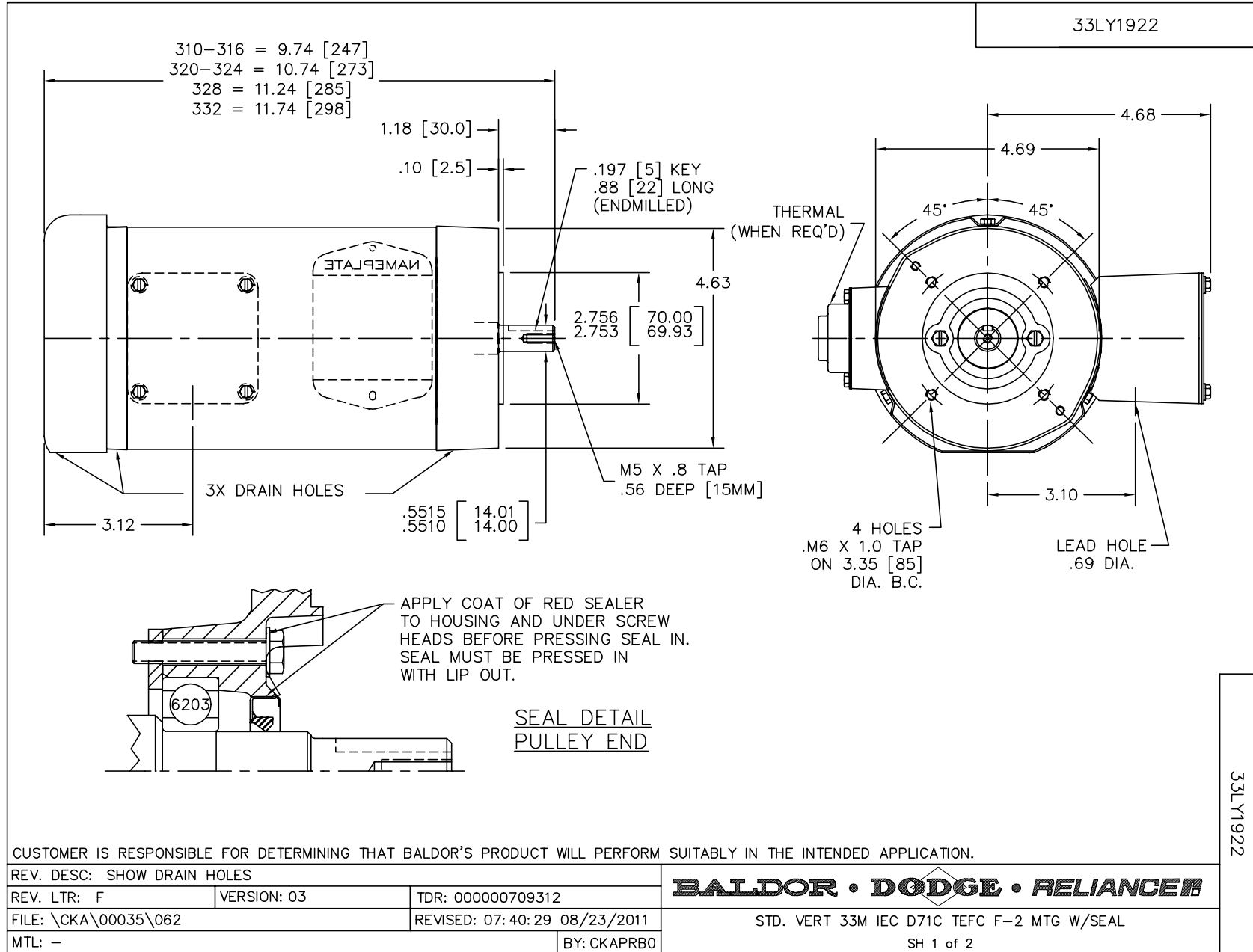
**Performance Data at 460V, 60Hz, 0.33HP (Typical performance - Not guaranteed values)**

| General Characteristics  |                                |                      |           |
|--------------------------|--------------------------------|----------------------|-----------|
| Full Load Torque:        | 1.0 LB-FT                      | Start Configuration: | DOL       |
| No-Load Current:         | 0.53 Amps                      | Break-Down Torque:   | 4.2 LB-FT |
| Line-line Res. @ 25°C.:  | 47.3 Ohms A Ph / 0.0 Ohms B Ph | Pull-Up Torque:      | 3.9 LB-FT |
| Temp. Rise @ Rated Load: | 56 C                           | Locked-Rotor Torque: | 4.4 LB-FT |
| Temp. Rise @ S.F. Load:  | 71 C                           | Starting Current:    | 4.0 Amps  |

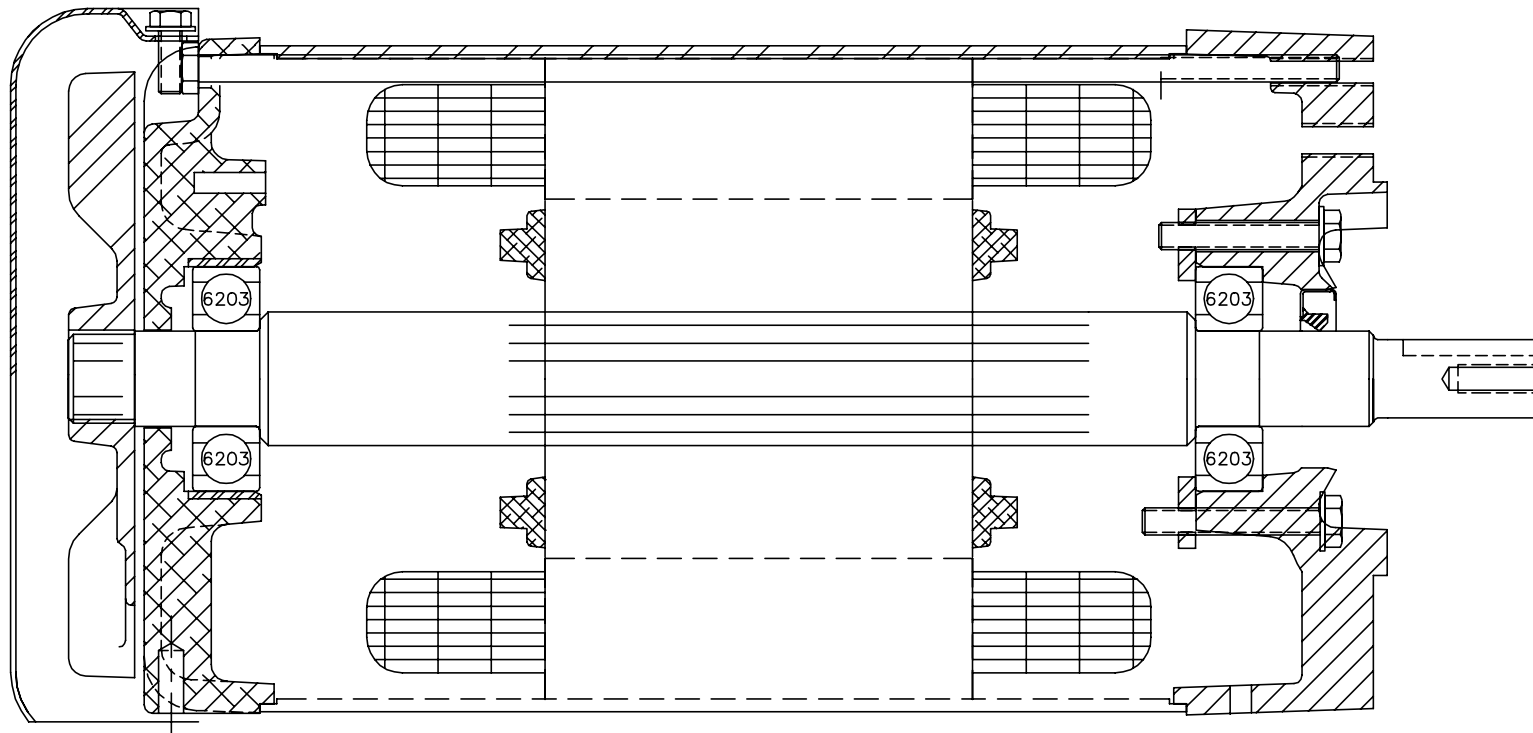
| Load Characteristics |        |        |        |        |        |        |        |
|----------------------|--------|--------|--------|--------|--------|--------|--------|
| % of Rated Load      | 25     | 50     | 75     | 100    | 125    | 150    | S.F.   |
| Power Factor:        | 29.0   | 42.0   | 53.0   | 62.0   | 69.0   | 75.0   | 72.0   |
| Efficiency:          | 49.0   | 64.0   | 71.0   | 74.0   | 75.0   | 75.0   | 75.4   |
| Speed:               | 1776.0 | 1758.0 | 1738.0 | 1717.0 | 1695.0 | 1670.0 | 1686.0 |
| Line Amperes:        | 0.54   | 0.57   | 0.61   | 0.67   | 0.74   | 0.82   | 0.77   |

Performance Graph at 460V, 60Hz, 0.33HP Typical performance - Not guaranteed values





33LY1922



33LY1922

CUSTOMER IS RESPONSIBLE FOR DETERMINING THAT BALDOR'S PRODUCT WILL PERFORM SUITABLY IN THE INTENDED APPLICATION.

REV. DESC: SHOW DRAIN HOLES

|                      |                              |                   |
|----------------------|------------------------------|-------------------|
| REV. LTR: F          | VERSION: 03                  | TDR: 000000709312 |
| FILE: \CKA\00035\062 | REVISED: 07:40:30 08/23/2011 |                   |
| MTL: -               | BY: CKAPRBO                  |                   |

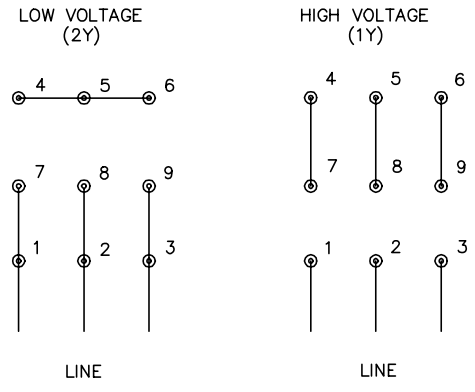
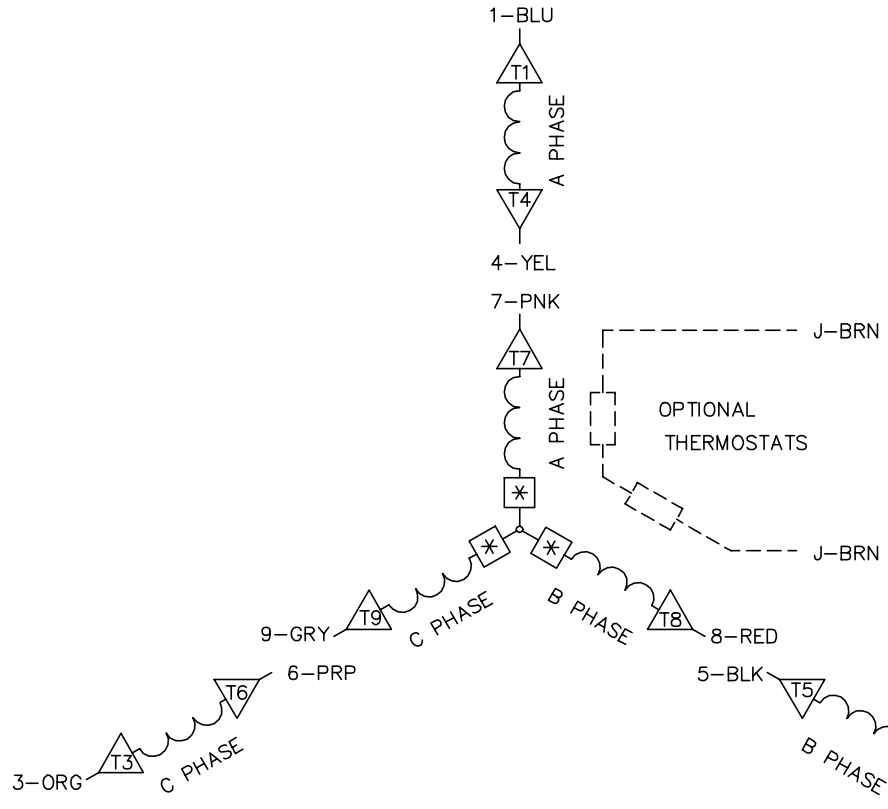
**BALDOR • DODGE • RELIANCE**

STD. VERT 33M IEC D71C TEFC F-2 MTG W/SEAL

SH 2 of 2



CD0005A05



- NOTES:
1. INTERCHANGE ANY TWO LINE LEADS TO REVERSE ROTATION.
  2. OPTIONAL THERMOSTATS ARE PROVIDED WHEN SPECIFIED.
  3. ACTUAL NUMBER OF INTERNAL PARALLEL CIRCUITS MAY BE A MULTIPLE OF THOSE SHOWN ABOVE.
  4. LEAD COLORS ARE OPTIONAL. LEADS MUST ALWAYS BE NUMBERED AS SHOWN.
  5. =MAGNET WIRE COIL END WITH I.D. NUMBER.
  6. =MAGNET WIRE COIL END WITH I.D. SYMBOL.
  7. SEE CW PRINT FOR NEST TO NEST CROSSOVER CONNECTIONS.

|                          |                      |                              |  |
|--------------------------|----------------------|------------------------------|--|
| REV. DESC: ADD NEST NOTE |                      |                              |  |
| REV. LTR: C              | VERSION: 03          | TDR: 000000445597            |  |
| CD0005A05                | FILE: \CKA\00024\847 | REVISED: 12:51:06 11/15/2007 |  |
|                          | MTL: -               | BY: CKMICRO                  |  |

**BALDOR • DODGE • RELIANCE**

3PH, DV, 9 LEADS, CK

CD0005A05