

BALDOR® • *RELIANCE*

Product Information Packet

MVM3461D

.37KW,1725RPM,3PH,60HZ,D71D,3320M,TEFC

Copyright © All product information within this document is subject to Baldor Electric Company copyright © protection, unless otherwise noted.

Part Detail							
Revision:	AA	Status:	PRD/A	Change #:		Proprietary:	No
Type:	AC	Prod. Type:	3320M	Elec. Spec:	33WG0673	CD Diagram:	
Enclosure:	TEFC	Mfg Plant:		Mech. Spec:		Layout:	
Frame:	D71D	Mounting:	F2	Poles:	04	Created Date:	06-25-2007
Base:		Rotation:	R	Insulation:	F	Eff. Date:	10-26-2012
Leads:	9#18	Literature:		Elec. Diagram:		Replaced By:	

Nameplate NP1379L							
CAT.NO.	MVM3461D						
SPEC.	33E138-0673G1						
IEC FRAME	D71D	K.W.	.37KW TE				
VOLTS	230/460						
AMP	2.4/1.2						
RPM	1725	I.P.	54				
HZ	60	PH	3	CL	F		
SER.F.	1.15	DES	B	CODE	-		
NEMA-NOM-EFF	71	PF	54				
RATING	40C AMB-CONT						
CC		USABLE AT 208V	2.3				
DE	6203	ODE					
SER. #							
	SFA 2.5/1.25						

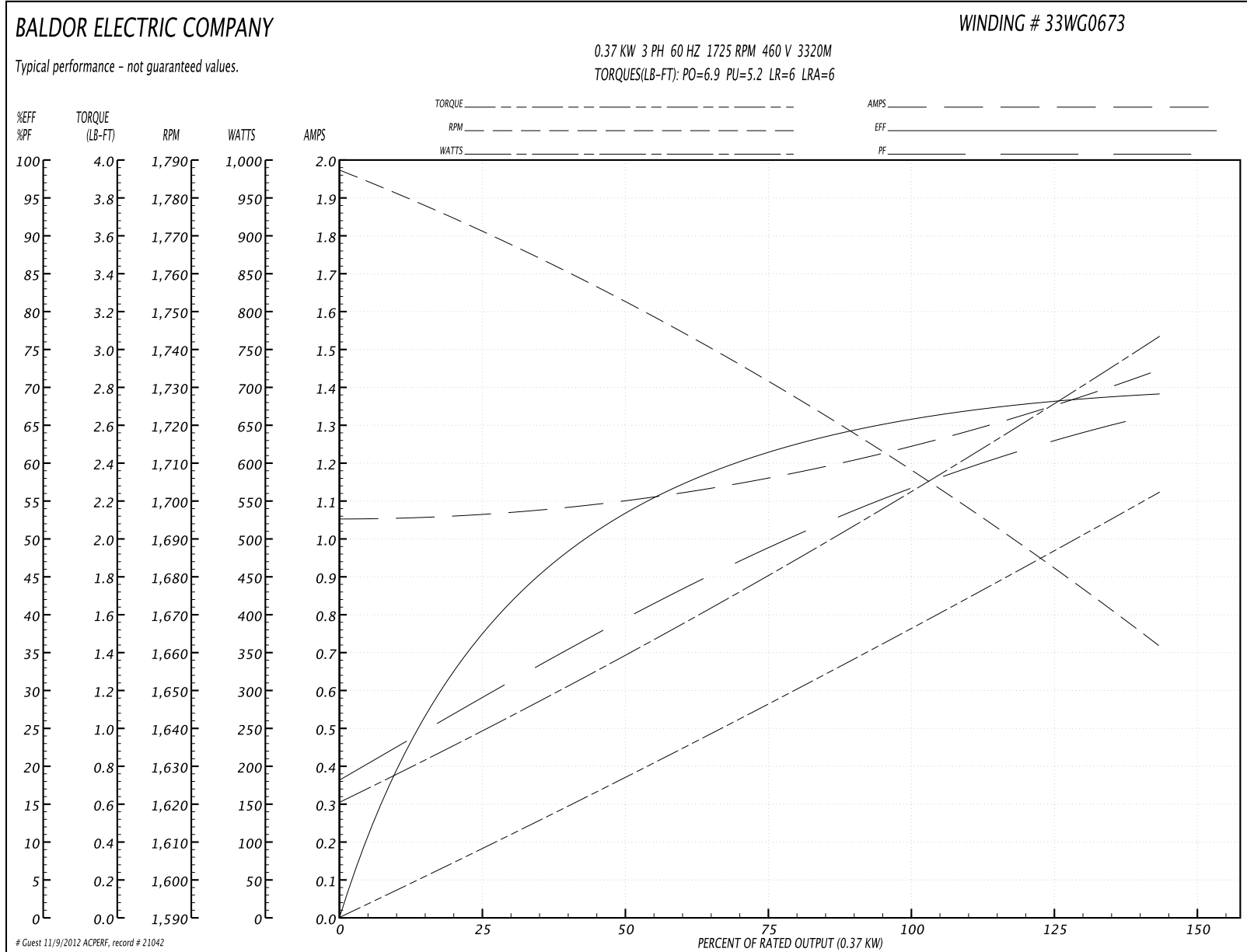
Parts List		
Part Number	Description	Quantity
SA010532	SA 33E138-0673G1	1.000 EA
RA006884	RA 33E138-0673G1	1.000 EA
LC0005	CONN.DIA.,TY M,9-LD,DUAL VOLT,REVERSING	1.000 EA
33EP2503A05	33 ENCL. EP MACH 203 BRG IEC .125 NPT	1.000 EA
HW4600A09SP	SEAL 0.656 X 1.124 X 0.250 DOUBLE SHIELD	1.000 EA
MJ5001A01	46-665 RED SEALER	0.001 QT
33FN3000SP	EXTERNAL FAN, PLASTIC	1.000 EA
HA4054	SHORT T-DRAIN FITTING, .125" N.P.T.	1.000 EA
34CB3002A16	CB W/.50 N.P.T. @ 6	1.000 EA
34GS1029A05	GASKET, CONDUIT BOX MODEL 34, WHITE 2# E	1.000 EA
51XB1016A07	10-16 X 7/16 HXWSSLD SERTYB	2.000 EA
11XW1032G06	10-32 X .38, TAPTITE II, HEX WSHR SLTD U	1.000 EA
34CB4517	CB LID 4 MTG HOLES .22 DIA STAMPED, FOR	1.000 EA
34GS1031A03	GASKET, FLAT CONDUIT BOX LID (WHITE NEOP	1.000 EA
HA3100S52	THRUBOLT - 10-32 X 7.188 SS	2.000 EA
12XN1032S16	10-32X1 HEX HD SLTD STAINLESS STEEL	2.000 EA
MJ5001A01	46-665 RED SEALER	0.001 QT
11XT0832S07	08-32 X 7/16 HX SL WS HD, 304 STAINLESS	4.000 EA
33EP3100A126	EP,33AC ODE WD 6203 W/.125 NPT	1.000 EA
HW5109A05	WASHER, WAVE SPRING FOR 40MM BORE SMALLE	1.000 EA
HW4600A54	SEAL 0.668 X 1.064 X 0.250 DOUBLE SHIELD	1.000 EA
HA4054	SHORT T-DRAIN FITTING, .125" N.P.T.	1.000 EA
12XN0832S16	8-32 X 1" HX HD SS	1.000 EA
HW1003S08	WASHER, #8 EX TH LK, SS	1.000 EA

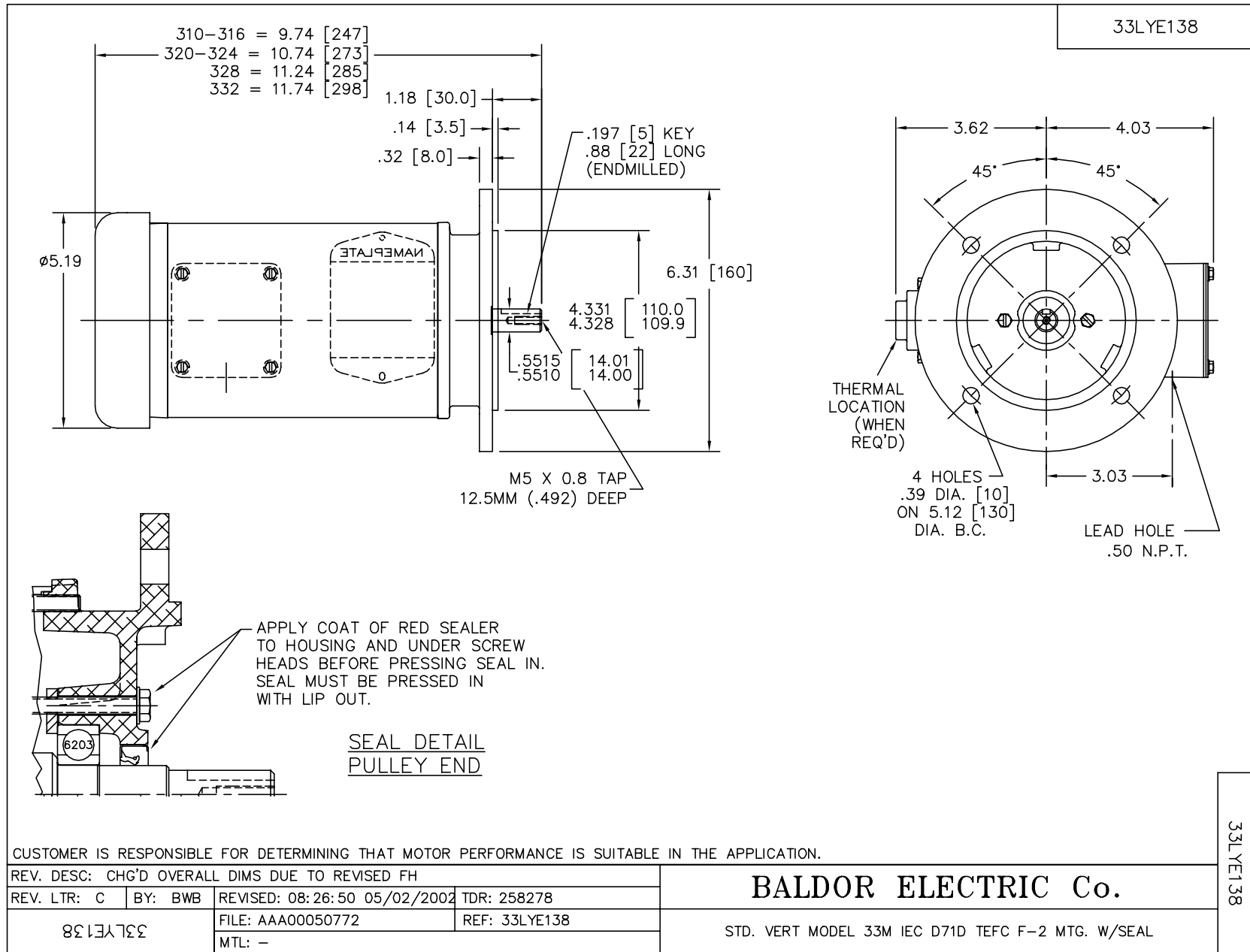
Parts List (continued)		
Part Number	Description	Quantity
XY0832S02	8-32 HEX NUT STAINLESS STEEL	1.000 EA
33FH4000A01SP	FAN COVER, STAMPED	1.000 EA
11XB1016S06	10-16 X 3/8 SCREW HX WSHR SLOT TY B	3.000 EA
MG1500Y11	707.11A & 707.11B WILKOFASST YELLOW EPOXY	0.013 GA
MG1025W11	PAINT- 781-101 WILKOFASST WHITE EPOXY	0.013 GA
HW2504D08	KEY, 5 MM X .875	1.000 EA
ME4000	.375-.75" DIA.#SW-04 WOVEN SHAFT PROTECT	0.100 FT
LB1119	WARNING LABEL	1.000 EA
LB5040	INSTRUCTION TAG, AC & DC	1.000 EA
LB1171	LABEL CARTON 6X6 ON LINE BLANK ROLLS	1.000 EA
NP1379L	ALUM IEC UL CSA CC	1.000 EA
85XU0407S04	4X1/4 U DRIVE PIN STAINLESS	2.000 EA
PA1501	PACKING GROUP (VERTICAL), BALDOR	1.000 EA

Performance Data at 460V, 60Hz, 0.37KW (Typical performance - Not guaranteed values)

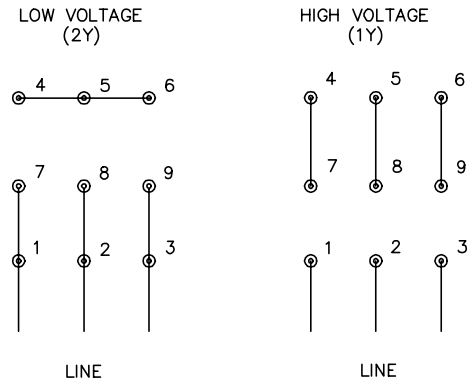
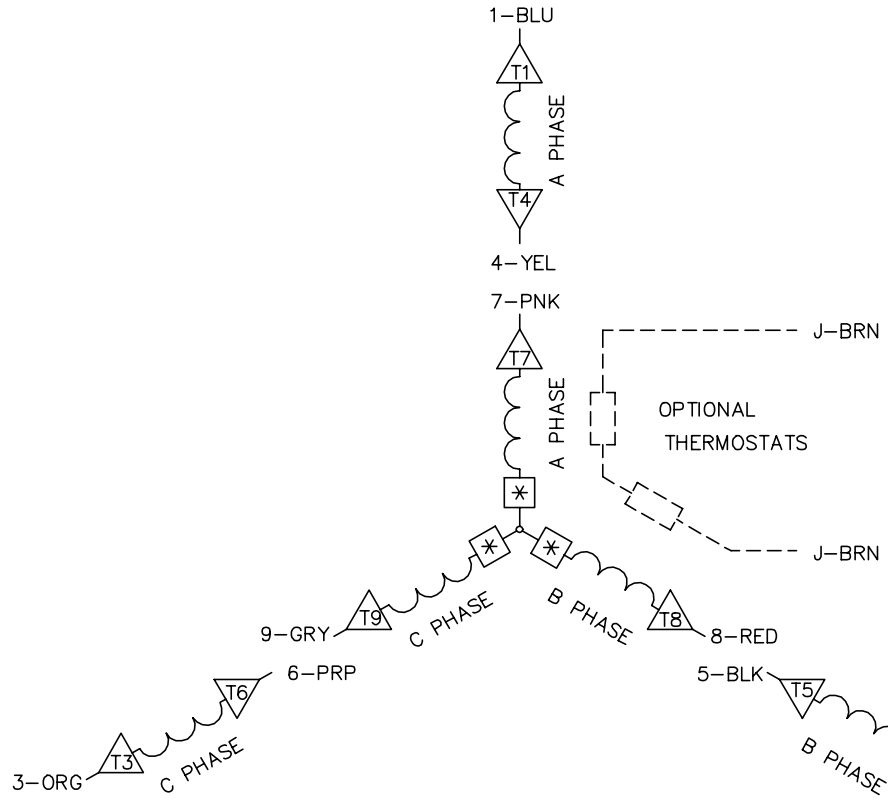
General Characteristics							
Full Load Torque:	1.5 LB-FT			Start Configuration:	DOL		
No-Load Current:	1.05 Amps			Break-Down Torque:	6.9 LB-FT		
Line-line Res. @ 25°C.:	28.9 Ohms A Ph / 0.0 Ohms B Ph			Pull-Up Torque:	5.2 LB-FT		
Temp. Rise @ Rated Load:	67 C			Locked-Rotor Torque:	6.0 LB-FT		
Temp. Rise @ S.F. Load:	72 C			Starting Current:	6.0 Amps		
Load Characteristics							
% of Rated Load	25	50	75	100	125	150	S.F.
Power Factor:	29.0	40.0	49.0	58.0	65.0	70.0	62.0
Efficiency:	37.7	53.4	61.5	65.8	68.1	69.0	67.2
Speed:	1770.0	1752.0	1732.0	1710.0	1687.0	1661.0	1696.0
Line Amperes:	1.07	1.1	1.16	1.24	1.33	1.45	1.29

Performance Graph at 460V, 60Hz, 0.37KW Typical performance - Not guaranteed values





CD0005A05



- NOTES:
1. INTERCHANGE ANY TWO LINE LEADS TO REVERSE ROTATION.
 2. OPTIONAL THERMOSTATS ARE PROVIDED WHEN SPECIFIED.
 3. ACTUAL NUMBER OF INTERNAL PARALLEL CIRCUITS MAY BE A MULTIPLE OF THOSE SHOWN ABOVE.
 4. LEAD COLORS ARE OPTIONAL. LEADS MUST ALWAYS BE NUMBERED AS SHOWN.
 5. =MAGNET WIRE COIL END WITH I.D. NUMBER.
 6. =MAGNET WIRE COIL END WITH I.D. SYMBOL.
 7. SEE CW PRINT FOR NEST TO NEST CROSSOVER CONNECTIONS.

CD0005A05

REV. DESC: ADD NEST NOTE			
REV. LTR: C	VERSION: 03	TDR: 000000445597	
CD0005A05	FILE: \CKA\00024\847	REVISED: 12:51:06 11/15/2007	
	MTL: -	BY: CKMICRO	

BALDOR • DODGE • RELIANCE

3PH, DV, 9 LEADS, CK